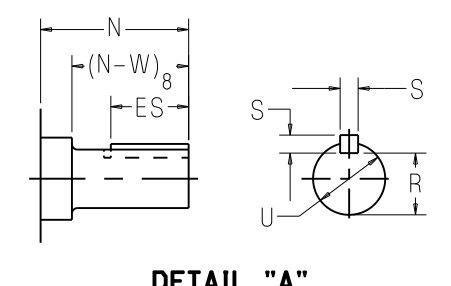
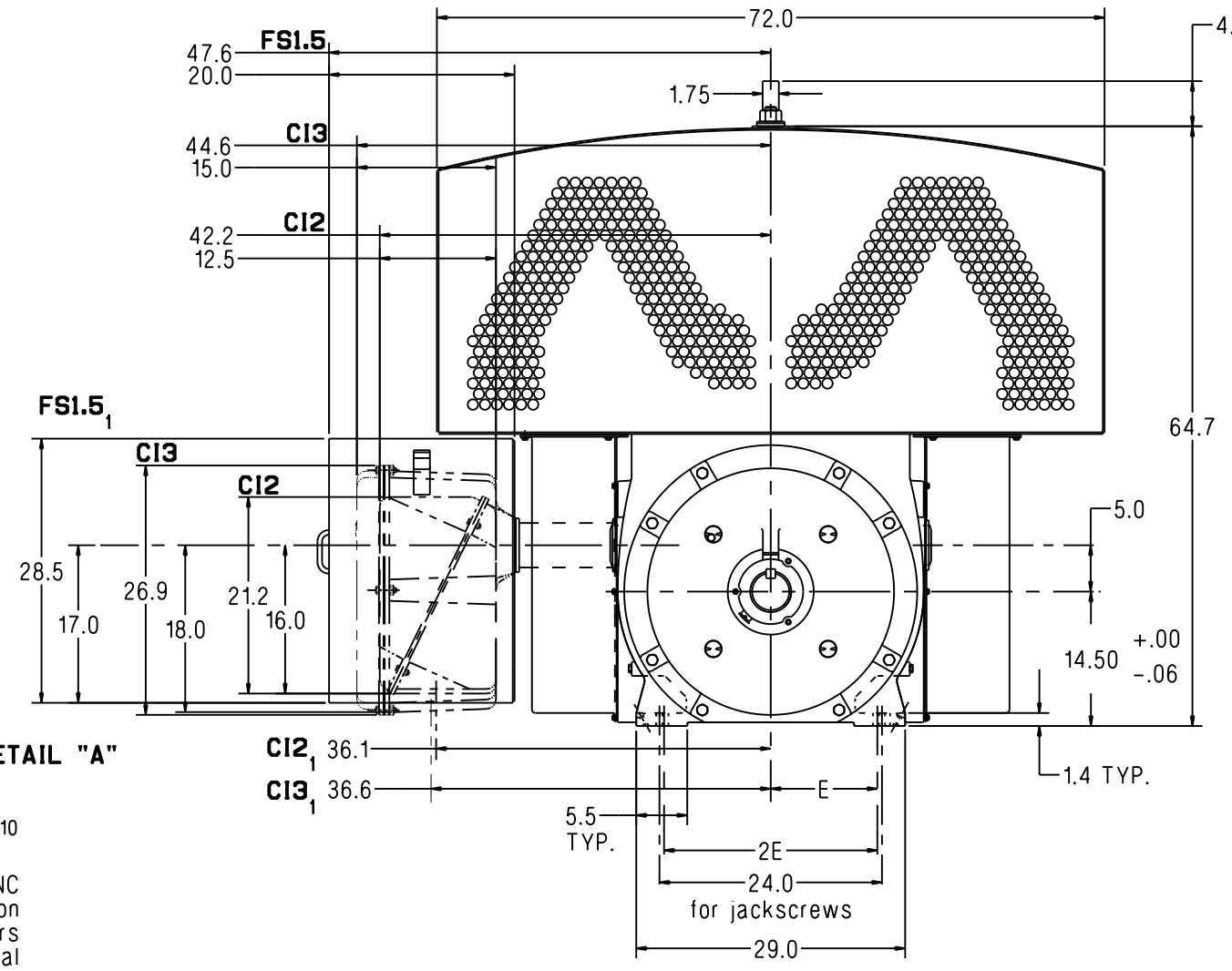
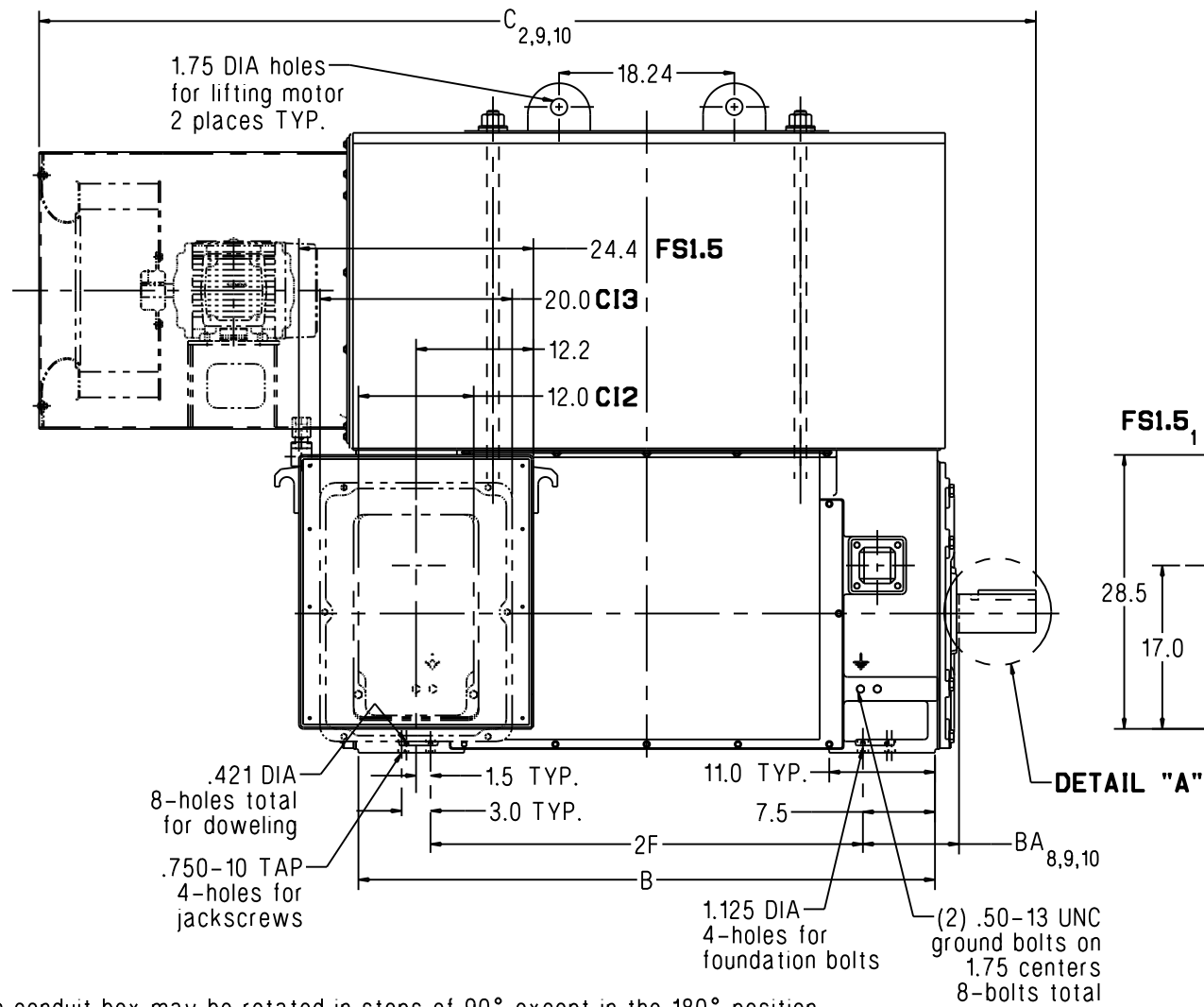


Dimension Prints for Above NEMA Motors



Notes:

1. Main conduit box may be rotated in steps of 90° except in the 180° position. A removable bottom plate is supplied on the FS1.5 conduit box. A 5.0 N.P.T. is supplied on the CI2 and CI3 conduit boxes. A 10.75" spacer is supplied on the 5812 frame for all rotatable conduit boxes.
2. C = Length of motor from drive end of shaft to end of auxiliary blower.
3. V = (N-W)-0.25" = length of shaft available for coupling. Note: When adding a rotating labyrinth seal, (N-W) will change so V will change accordingly.
4. Machines may rotate in either direction.
5. Shims may be necessary under motor feet for direct connection.
6. Approximate ship weight is based on standard aluminum cooling tubes.
7. Short shaft or long shaft is for direct connection.
8. Adding a rotating labyrinth seal to the drive end increases BA and decreases (N-W) by: 4 Pole & Slower: 0.28" Long Shaft 4 Pole & Slower: 0.28"
9. Adding a ground brush increases BA and C by: 4 Pole & Slower: 2.50" Long Shaft 4 Pole & Slower: 2.50"
10. Adding a ground brush with rotating labyrinth seal increases BA and C by: 4 Pole & Slower: 2.75" Long Shaft 4 Pole & Slower: 2.75"
11. 2 Pole Machine limited to maximum of 1750 HP.

Standard Dimensions in Inches

Shaft	Frame	Speed	B	BA _{8,9,10}	C _{2,9,10}	E	2F	N	(N-W) ₈	R	S	U	V ₃	ES	Approx. Ship Wt. (Lbs) ₆
Short ₁₁	5812S	2 Pole	60.0	10.00	102.5	11.50	45.0	7.00	6.75	2.450	0.750	2.875	6.50	5.0	10100
Short	5812S	4 Pole & Slower	60.0	10.00	103.7	11.50	45.0	8.25	8.00	3.436	1.000	4.000	7.75	6.0	10100
Long	5812	4 Pole & Slower	60.0	10.00	110.3	11.50	45.0	14.90	14.62	4.169	1.250	4.875	14.38	13.0	10100

Certification: Customer _____ P.O. _____ S.O. _____ Item _____
 HP _____ RPM _____ Frame _____ PH/HZ/Volts 3/_____/_____
 By _____ Date _____ Terminal Box Size CI2 CI3 FS1.5
 Comments _____
 Not for construction, installation or application purposes unless certified.