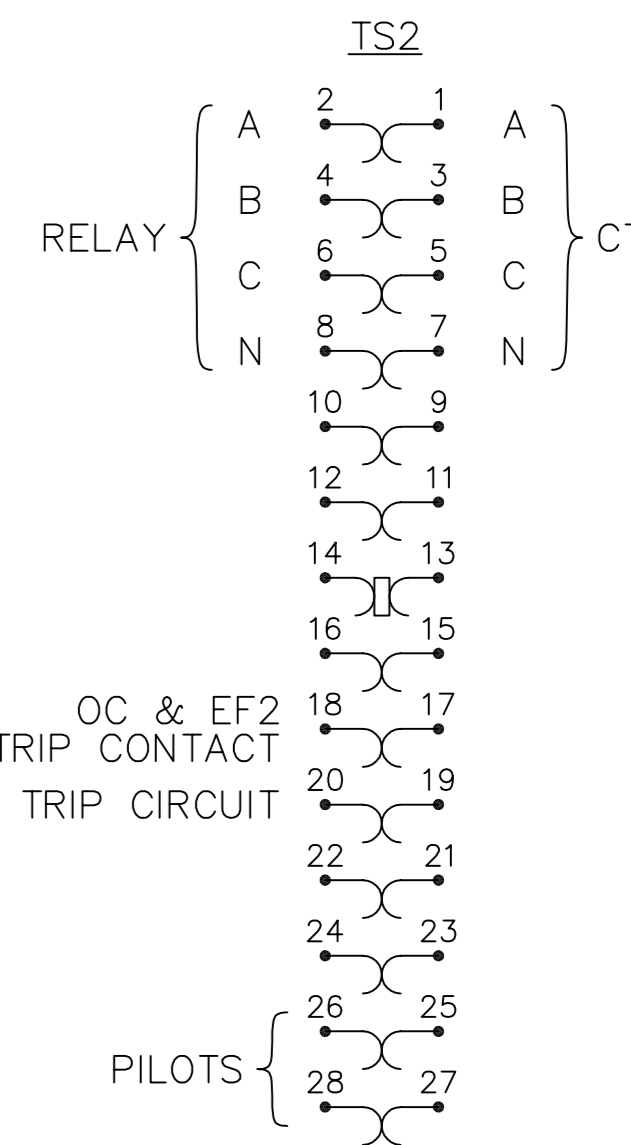
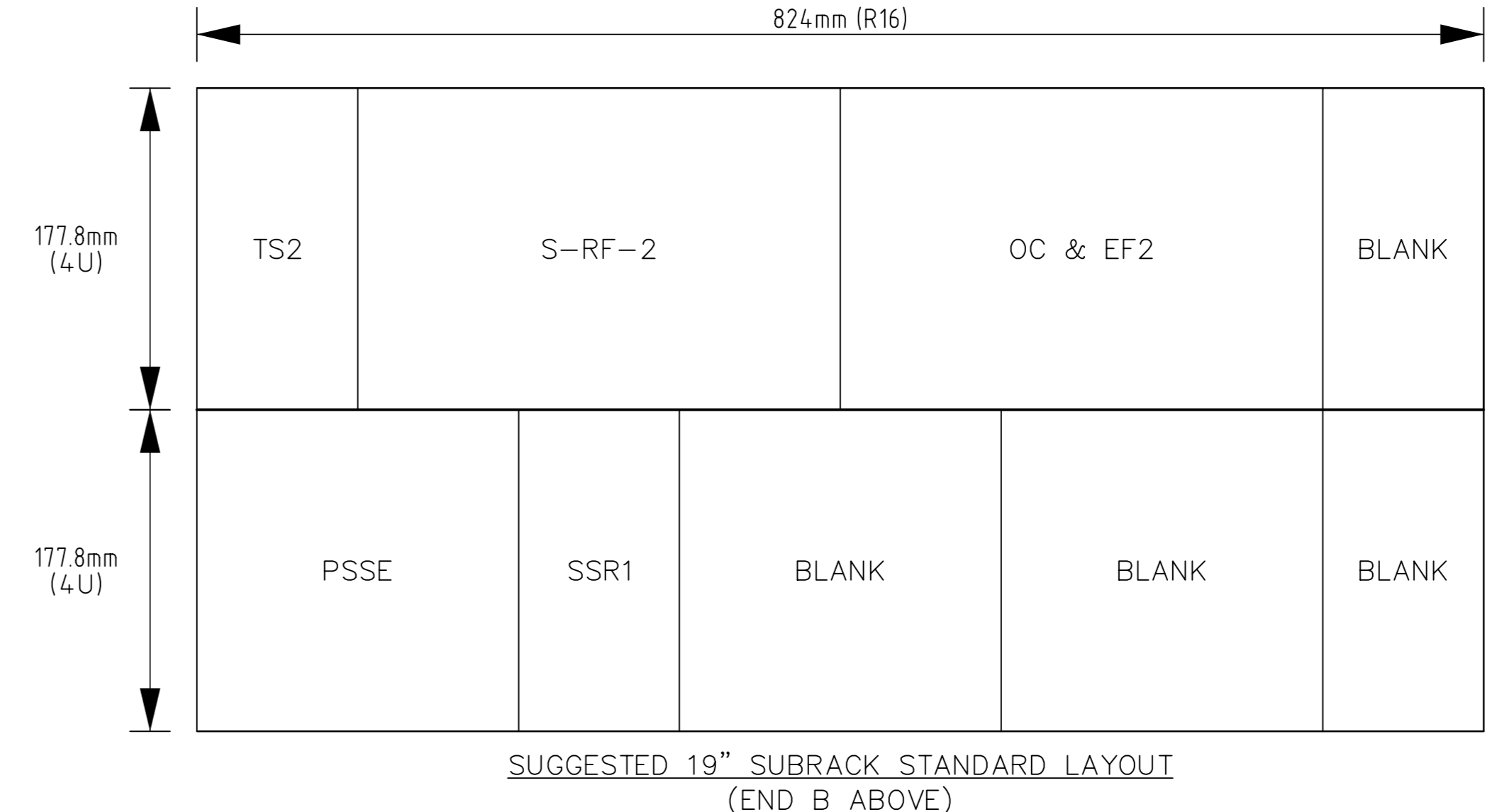
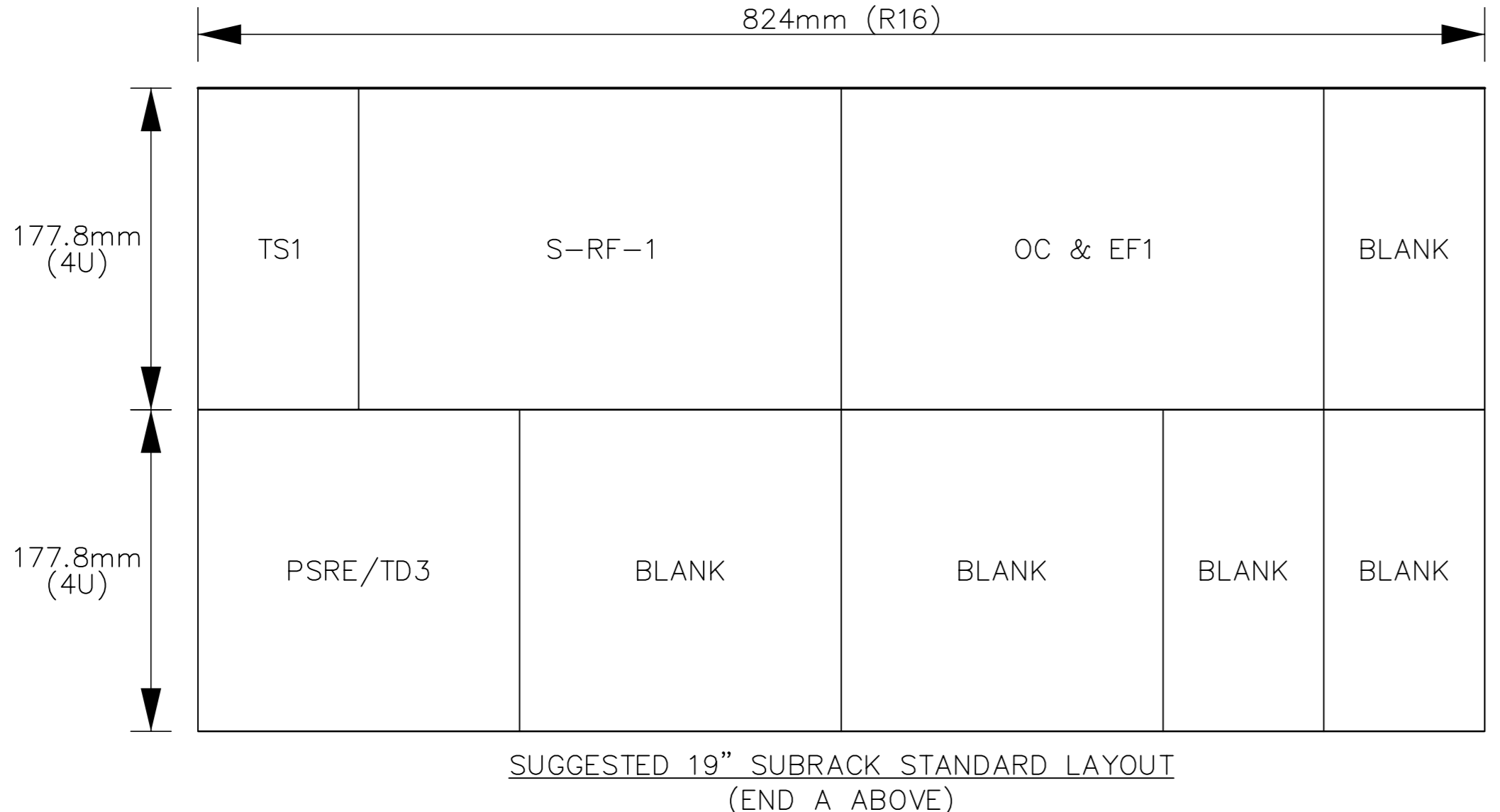
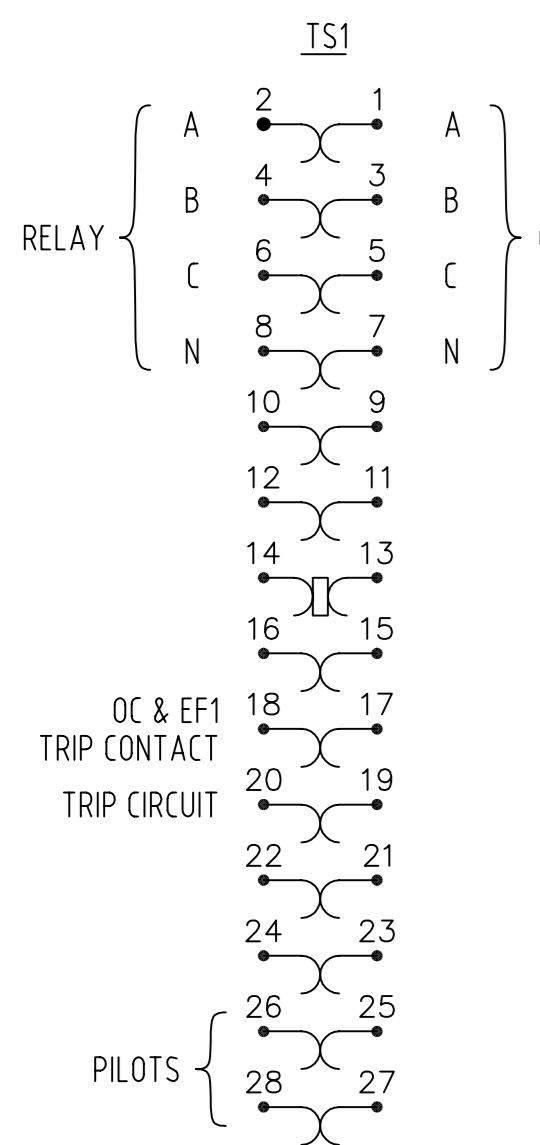
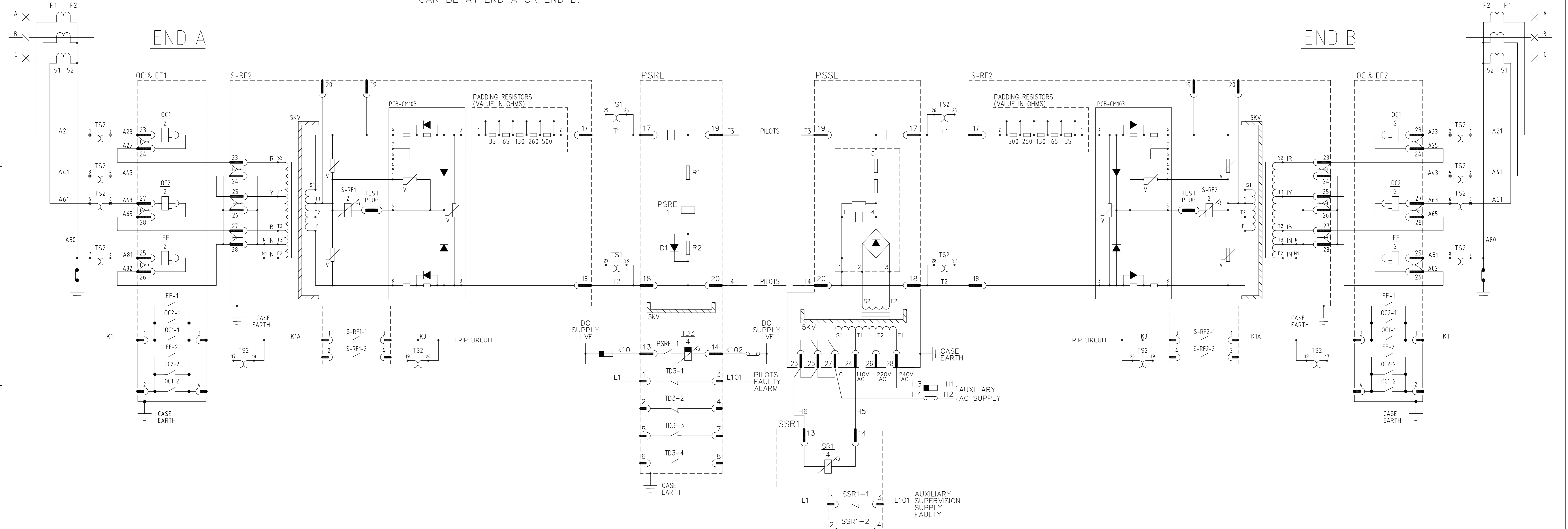


IF IN DOUBT ASK  
DO NOT SCALE

SYSTEM	DEVICE	END	TYPE		DESCRIPTION
SOLKOR-RF	S-RF1	A	EPSILON	- SOLKOR RF(5KV)	- CURRENT RATING 0.5,1,2 & 5A, - 2M (SPECIFY CURRENT RATING ON ORDERING)
	TS1	A	EPSILON	- 2RMLG	
SOLKOR-RF	S-RF2	B	EPSILON	- SOLKOR RF(5KV)	- CURRENT RATING 0.5,1,2 & 5A, - 2M (SPECIFY CURRENT RATING ON ORDERING)
	TS2	B	EPSILON	- 2RMLG	
PILOT SUPERVISION (5KV)	PSRE TD3	A	EPSILON	- B75(5KV)	- 1M - VOLTAGE TO BE SPECIFIED (DC)
		A		- B74 (BOTH IN ONE CASE)	- 2M2B - 400ms D.O.
GUARD	OC & EF1	A	EPSILON	- TRANS. REC. UNIT(5KV)	- 2M2B - 110V AC
		B	EPSILON	- B22	
GUARD	OC & EF2	A	EPSILON	- B69 (3 ELEMENTS 1 CASE)	- 2M
		B	EPSILON	- B69 (3 ELEMENTS 1 CASE)	- 2M

- NOTES:
- 1 - PRIMARY PLANT CONTACTS ARE SHOWN WITH THE PLANT OPEN. RELAYS ARE SHOWN SWITCHED OUT OR DE-ENERGISED.
  - 2 - THIS DIAGRAM SHOWS THE REYROLLE PROTECTION PREFERRED VERSION OF THE SOLKOR RF, 5KV & PILOT SUPERVISION & GUARD RELAYS. DELETE ANY ITEM WHERE NECESSARY.
  - 3a - EPSILON-CT SHORTING LINKS: -MAKE BEFORE LONG & SHORT TERMINAL BREAK
  - 3b - EPSILON-SHORT CONTACTS: -BREAK BEFORE LONG CONTACT BREAK
  - 3c - EPSILON-LONG CONTACTS: -LAST CONTACT TO BREAK
  - 4 - 5KV BARRIER
  - 5 - FOR PILOT SUPERVISION THE PILOT SEND & RECEIVE RELAYS CAN BE AT END A OR END B.



FOR INFORMATION ONLY  
UNCONTROLLED COPY  
NOT SUBJECT TO UPDATE

MATERIAL:  
Dimensions in millimetres; Surface texture in micrometres.  
Machine where marked 'M'  
For explanation of dimensions, tolerances, notes etc. see B.S.308.  
Limits on untoleranced unmachined dimensions ±  
Limits on untoleranced machined dimensions to B.S.4500;  
i.e. up to £60.1; over 30 to 120±0.3; over 315±0.6;  
over 6 to 32±0.2; over 120 to 315±0.5;  
General untoleranced angular tolerance ±

First used on: SCHEME DIAGRAM OF SOLKOR R1 - 5KV INSULATION WITH PILOT SUPERVISION AND GUARD RELAYS  
Supersedes: ISSUE 1 DRAWN - 25/3/93

Original Scale: NTS  
Dwg. No. 2651W10137

Copyright © 2005 VATECH REYROLLE ACP Ltd. Hoburn

3 ROW 23/12/05  
2 ROW 20/03/06  
ISSUE DATE NOTED

DRAWN RDW CHECKED RDW APPROVED RDW DATE 28/03/05

OPS PCP Purch.Spec.LTQ EAC ICE STD A0