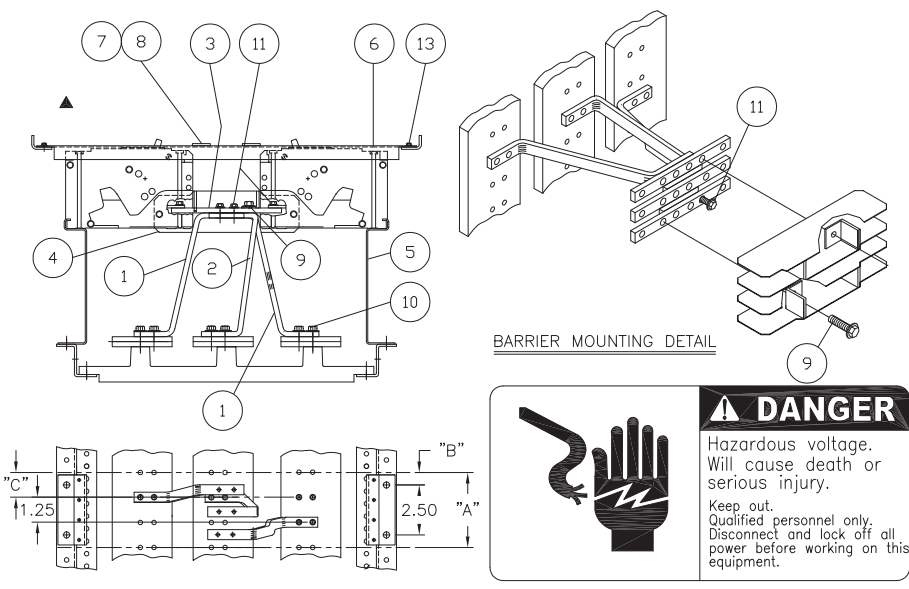


Third Angle Proj
 Rev. 10
 Snt 1
 Dwg. No. 11-5079-00



⚠ DANGER

Hazardous voltage. Will cause death or serious injury.

Keep out. Qualified personnel only. Disconnect and lock off all power before working on this equipment.

LOCATION DIMENSIONS

BOM.NO.	"A"	"B"	"C"
-01	3.75	0.63	1.25
-02	6.25	1.88	2.50
-04			

TORQUE VALUES

10	50 in-lbs. AL.
	72 in-lbs. CU.
11	30 in-lbs. AL.
	50 in-lbs. CU.

E-2-4-& 6 FRAME BRANCH BREAKER
 15-125 AMPERE
 DOUBLE MOUNTING

FOR I.T.E. TYPE BREAKERS:
 E2, E4, E6, HE4, HE6
 E2-A, E4-A, E6-A, HE4-A, HE6-A
 E2, ED4, ED6, HED4, HED6

10	1C-381A	8-30-00
9	1C-267A	1-15-00
8	1B-908	4-20-95
7	8A093	7-14-88
6	CN:622	
5	CN:557	
4	CN:554	
3	CN:440	
2	CN:416	

1	CN:319	0	272	4-19-82	Date	Unless otherwise specified dimensions are in inches Tolerances are non-cumulative and are as follows unless specified otherwise. .XX ± .030 .XXX ± .015 Angular ± 2° Do not scale drawing	Confidential - Property of Siemens Industry, Inc. Norcross, GA			
							ED2, ED4, & ED6 MOUNTING SERIES 6 BRANCH BUS			
Rev	C.N.	Dwn	DB	Date	1-11-00	Dwg No.	11-5079-00		Rev.	10
Apvd	RHR	Date	1-11-00		Scale	NONE		Sheet	1 of 1	

Apvd	SH	ITEM	DESCRIPTION	PC. NO.	QTY.
5-17-95		1	E2-4-6 PHASE AC BRANCH BUS	11-7140-01	2
		2	E2-4-6 PHASE B BRANCH BUS	11-7141-01	1
		3	E2-4-6 LINE CONNECTOR	11-7138-01	3
		4	INTERPHASE BARRIER	15-7505-01	2
		5	E2-4-6 MOUNTING BRACKET	15-B-3014-02	2
		6	3.750 E2-4-6 COVER PLATE	12-6024-01	1
		7	CIRCUIT I. D. CARD	11-7505-01	2
		8	CARD HOLDER	11-7506-01	2
		9	1/4-20 X 3/8 SHWSW	11-1553-02	2
		▲ 10	STRAP-BUS HARDWARE KIT	11-B-2022-05	1
		11	10-24 X 5/8 ISHWSW	11-1576-07	12
		12			
		13	1/4-20 X 5/8 SHWSW	11-1553-06	8
14	NEUTRAL LUG ASSEMBLY	12-B-2105-01	1		
15					
16	BLANK FILLER	12-5531-09	2		
17					
18					
19					
20					
21					
22					
23					
24					
25					
26					
27					
28		INSTRUCTION SHEET	31-1215-01	1	
29		CARTON LABEL	15-A-1027-01	1	
30		CARTON	48001056	1	
31					
32					
33					
34		ED FRAME BRANCH BREAKER			
35		15-125 AMPERE			
36					
37		FOR BREAKER TYPES: ▲			
38		E2, E4, E6, HE4, HE6			
39		E2-A, E4-A, E6-A, HE4-A, HE6-A			
40		ED2, ED4, ED6, HED4, HED6			
41					
42					
43					
44		MERCHANDISE KIT NO. SE6D			
Revisions 0: 1B-908 4:1C-381A 8-30-00 1: 1C-155B 08-13-97 5:1C-831A 4-12-04 2: 1C-206 01-26-98 6:1C-831B 7-25-06 3: 1C-267A 1-7-00 7:1E-166B 12-11-09					
Chk	SH	5-17-95			
By	RAW	5-17-95			
Confidential - property of Siemens Industry, Inc. Norcross, GA		ED2-4-6 MOUNTING, S5 COPPER BRANCH BUS		11-5079-06	
		Title		Dwg No.	
				Sht. 1 Of 1	
				Rev. 7	

FOR USE WITH ED2, ED4, ED6, HED4 AND HED6 FRAME BREAKERS
 MOUNTED IN SPP/FPP/S5/F2/P5 PANELBOARDS (DEEP BOX).