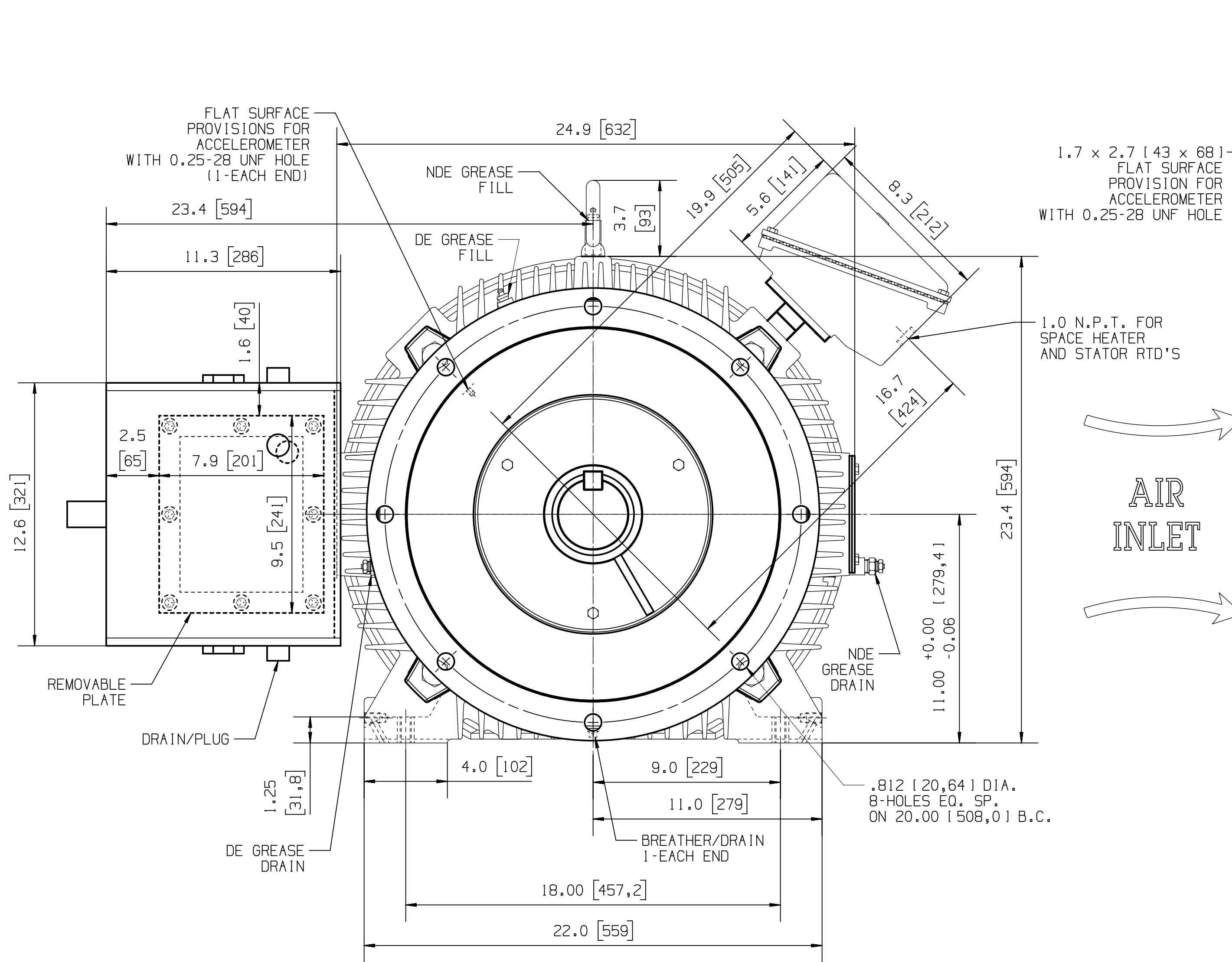
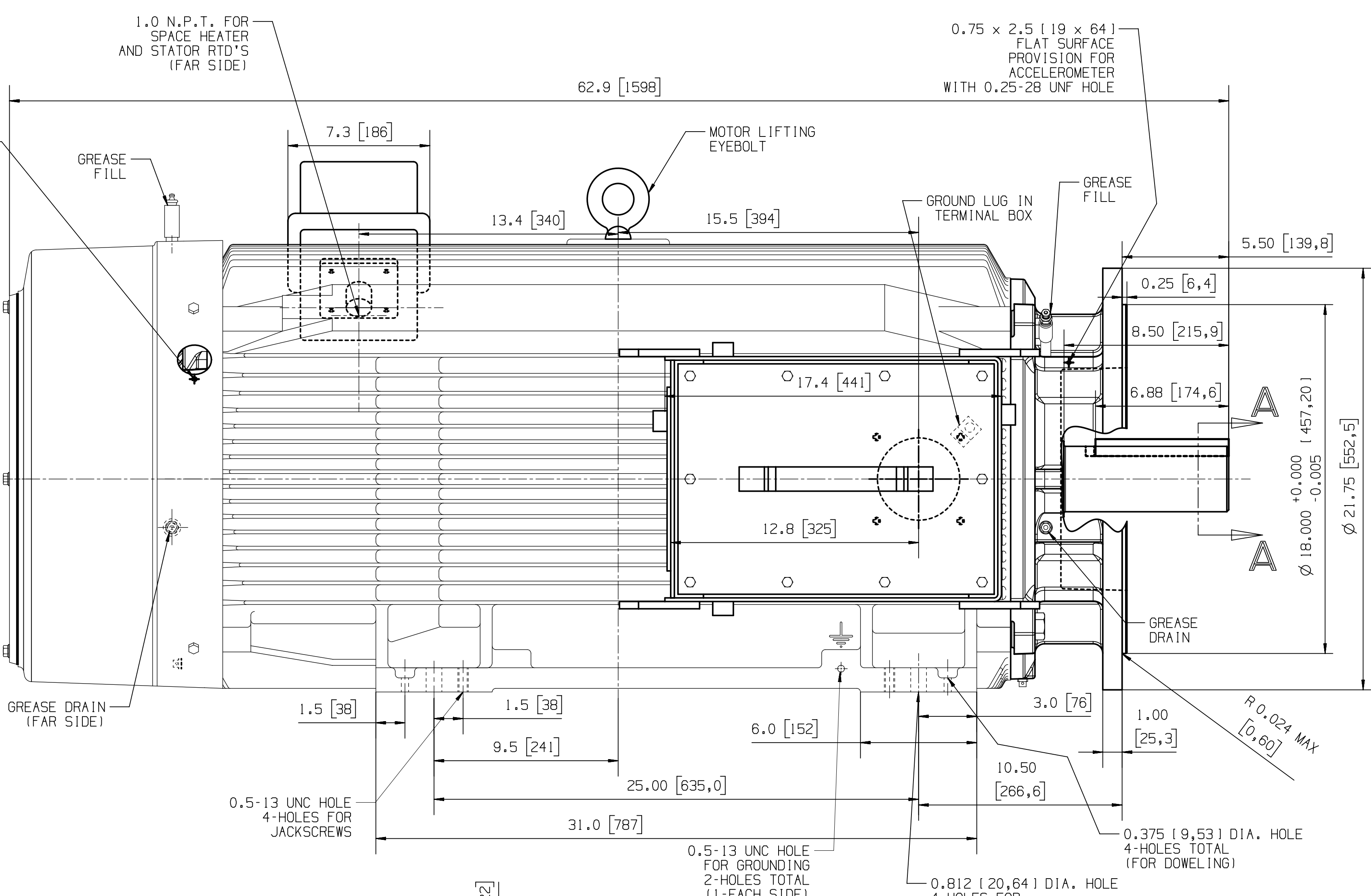


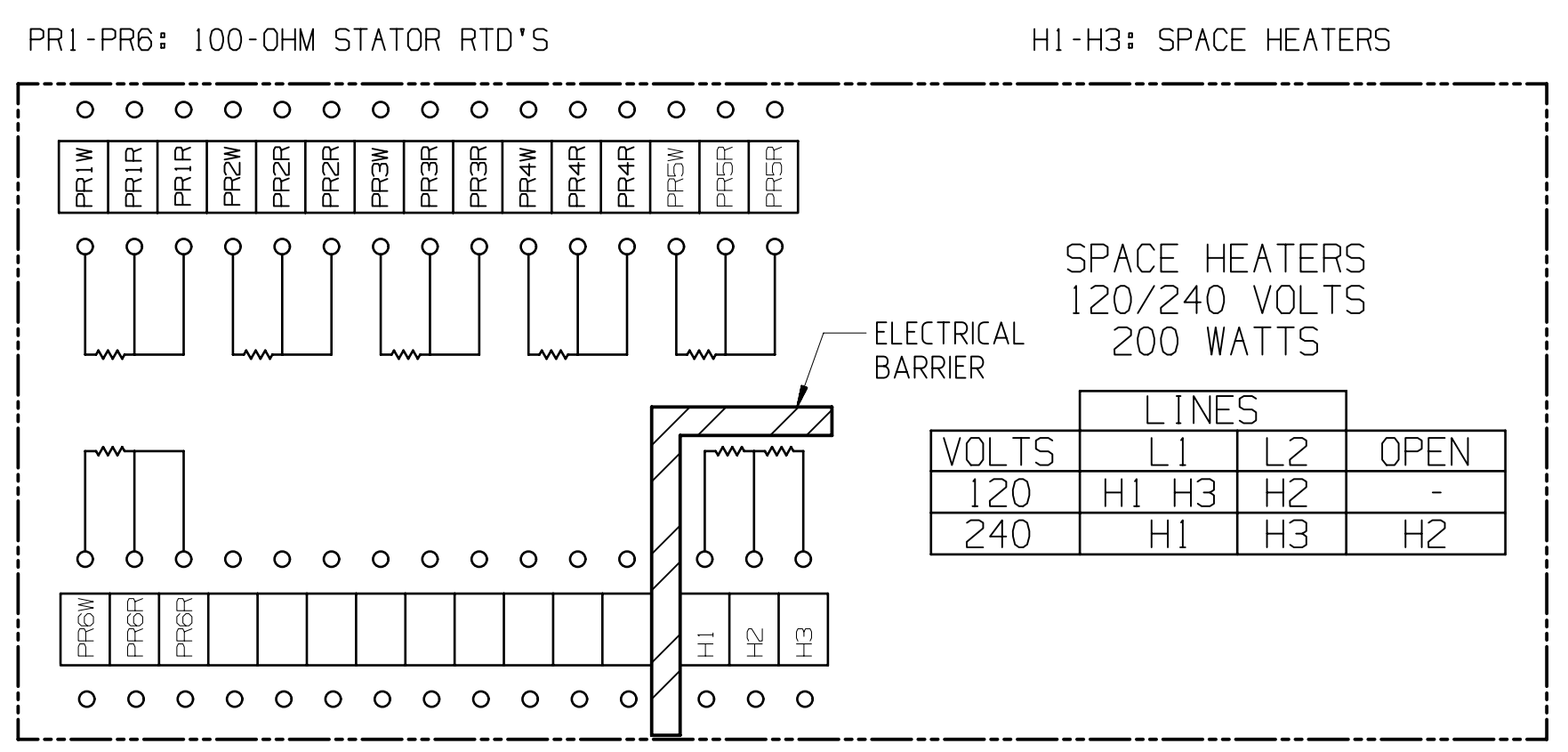
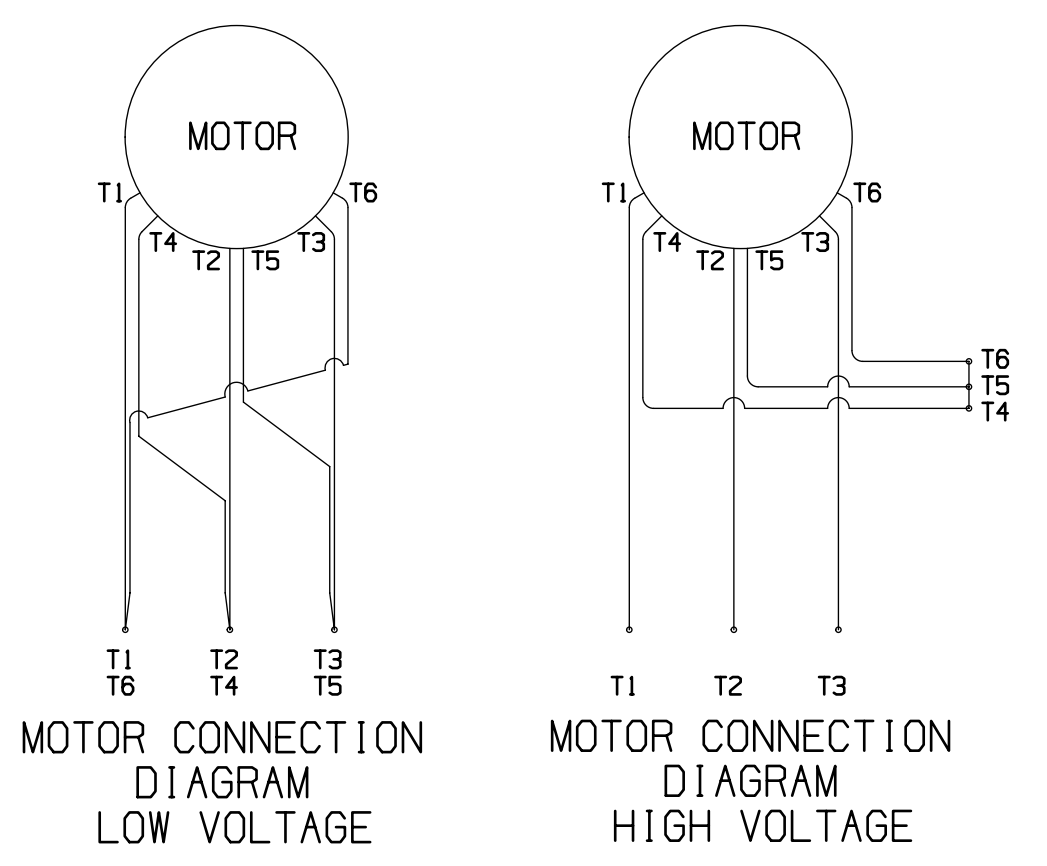
- NOTES:
1. MAIN CONDUIT BOX MAY BE ROTATED IN STEPS OF 90°.
  2. NON-DRIVE END BEARING IS INSULATED, INSULATE ANY CONNECTIONS TO THIS BEARING.
  3. FOR RELUBRICATION OF BEARINGS, SEE LUBRICATION PLATE ON MOTOR.
  4. FOR SAFETY PROCEDURES AND ALIGNMENT REQUIREMENTS, SEE INSTRUCTION MANUAL.
  5. SEE ROTATION PLATE ON MOTOR FOR DIRECTION OF ROTATION. DIRECTION OF ROTATION IS VIEWED FROM THE DRIVE END.
  6. MOTOR MUST BE SUPPORTED AT MOTOR FRONT FEET (NON-DRIVE END) AT ALL TIMES IN ADDITION TO "D" FLANGE.



RTD ALARM/SHUTDOWN DATA		
	ALARM	SHUTDOWN
STATOR	155°C	170°C



**SECTION A-A**



TERMINAL BOARD ARRANGEMENT IN AUXILIARY BOX FOR SPACE HEATERS AND 100-OHM STATOR RTD'S

**SIEMENS** CERTIFIED PRINT  
CUSTOMER INITIATED CHANGES MAY AFFECT PRICE AND DELIVERY PRODUCTION WILL PROCEED ON THE BASIS OF THIS DRAWING

FRAME	TYPE	VOLTS	PH	Hz
S449T	TEFC	2300/4000	3	60

Author	Fortenboher	Product	MELBProduct-ID
Creator	2017-12-15 Fortenboher	Item No.	
Approval	2018-11-05 Stengel	Doc. No.	
Department	NAM RC-US1 DT LD APP OPS ENG	Doc. Language	en
Change Order	PSA00205531	Doc. Language	de
Doc. State	Released	Revision State	AA
Revision	(Kaufert)	Revision State	AA

**SIEMENS** 2017-2018