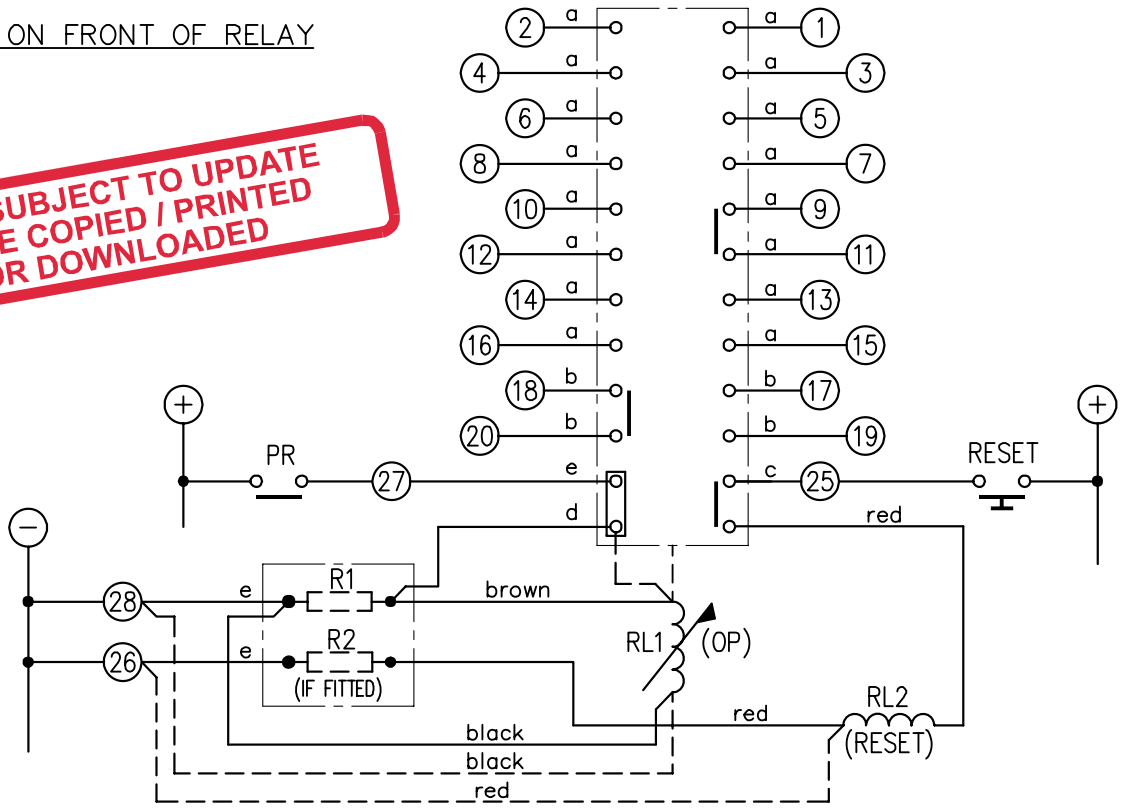


LOOKING ON FRONT OF RELAY

2112W50015

**NOT SUBJECT TO UPDATE
ONCE COPIED / PRINTED
OR DOWNLOADED**



**PRINTED ON 01/08/2012
ENSURE CORRECT REVISION
DESTROY AFTER USE**

KEY	220&240	1x470R	2102C45471	1x470R	2102C15471	2112G20023	SOLKIT: 36V	ASSEMBLY WRES USED				
	125	2x100R in series	2102C41101	NIL	NIL	2112G20020	SOLKIT: 36V	a 2107B10001 16 OFF				
○	50	1x390R	2102C35391	1x18R	2102C25180	2112G20016	SOLKIT: 6V	b 2107B10002 4 OFF				
⊠	30	NIL	NIL	1x6R8	2102C15687	2112G20014	SOLKIT: 6V	c 2107B10003 1 OFF				
⊠	24	NIL	NIL	NIL	NIL	2112G20013	SOLKIT: 6V	d 2107D10169 1 OFF				
⊠	VDC	R1	R1	R2	R2	RL1 (OP) COIL	RL2 (RESET) KIT	e 2107D10164 3 OFF				
⊠	CONTACT CONFIG.	OUTPUT CONTACT PAIR / TERMINAL No.										NOTE: 1. CONTACT CONFIGURATION ABOVE IS REQUIRED FOR RELAY OPERATION. FOR DETAILS OF VARIABLE CONTACT OPTIONS SEE TABLE OPPOSITE. 2. RESISTORS R1 & R2 ARE FITTED ONLY WHEN REQUIRED. SEE TABLE ABOVE. 3. DASHED LINE --- SHOWS CONNECTIONS WHEN RESISTORS ARE NOT FITTED.
⊠	10M	1-3	2-4	5-7	6-8	9-11	10-12	13-15	14-16	17-19	18-20	
⊠	9M	1B	M	B	M	M	M	M	M	M	M	
⊠	8M	2B	B	B	M	M	M	M	M	M	M	
⊠	7M	3B	B	B	M	B	M	M	M	M	M	
⊠	6M	4B	B	B	B	B	M	M	M	M	M	
⊠	5M	5B	B	B	B	B	M	B	M	M	M	
⊠	4M	6B	B	B	B	M	M	B	B	B	M	
⊠	3M	7B	B	B	B	B	M	M	B	B	M	
⊠	2M	8B	B	B	B	B	M	B	B	B	M	

FRAME REFERENCE: E2FAQM.
FRAME TERMINAL BLOCK ASSY: -
ASSEMBLY INSTRUCTIONS: -
TYPICAL ASSEMBLY DRAWING 2995G10032.
AT INDICATED POSITIONS FIT AS FOLLOWS:
T - FIT TRIP ISOLATION CONTACT 2995B10053
S - FIT STANDARD CONTACT 2995B10054
SECURE CONTACTS USING FIXING SCREW 2109F99009.
POSITIONS SHOWN BLANK ARE UNUSED

2	T	T	1
4	T	T	3
6	T	T	5
8	T	T	7
10	T	T	9
12	T	T	11
14	T	T	13
16	T	T	15
18	T	T	17
20	T	T	19
22			21
24			23
26	S	S	25
28	S	S	27

VIEW FROM NUMBERED SIDE OF BLOCK

OUTER TERMINAL BLOCK ASSY: -
ASSEMBLY INSTRUCTIONS: -
TYPICAL ASSEMBLY DRAWING 2995G10029.
AT INDICATED POSITIONS FIT AS FOLLOWS:
S - FIT STANDARD CONTACT 2995B10051
HC - FIT 'HEAVY CURRENT' KIT 2995G10030
WHERE ⊠ IS SHOWN FIT CT SHORTING KIT 2995G10031
POSITIONS SHOWN BLANK ARE UNUSED.
ALL POSITIONS FIT SCREW 2106F12506.

2	S	S	1
4	S	S	3
6	S	S	5
8	S	S	7
10	S	S	9
12	S	S	11
14	S	S	13
16	S	S	15
18	S	S	17
20	S	S	19
22			21
24			23
26	S	S	25
28	S	S	27

VIEW FROM INSIDE FACE

6 RDW	13/07/12	MN1110/3479	Title. T.B. AND WIRING DIAG. FOR TR231-10/ TR241-10 RELAYS IN EPSILON E2 CASE.	First used on:
5 RDW	31/05/11	MN112/3408		Similar Articles:
4 RDW	15/09/06	MN112/2832		Supersedes:
3 RDW	14/11/05	MN112/2744		Original Scale.
2	08/02/00	MN112/247		Drg.No.
ISSUE	DATE	MOD.No.	Reyrolle Protection Hebburn.	2112W50015
DRAWN: A.LAW.	CHECKED:	APPROVED: R.D.WATSON	DATE: 16/07/02	Copyright © 1998 Reyrolle Ltd.