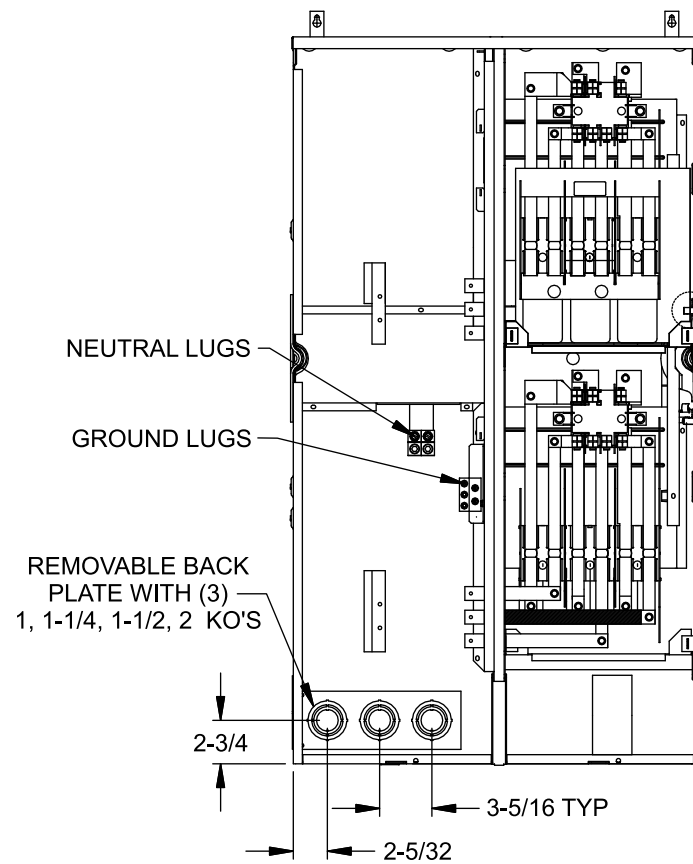
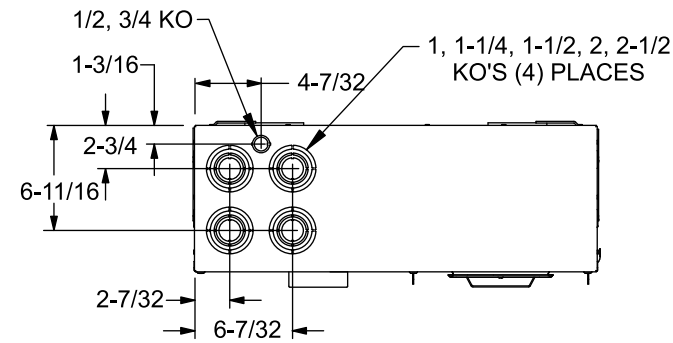


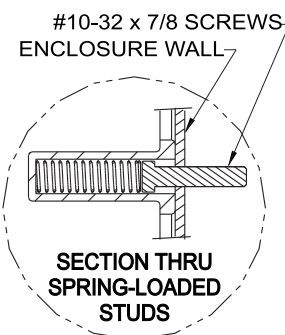
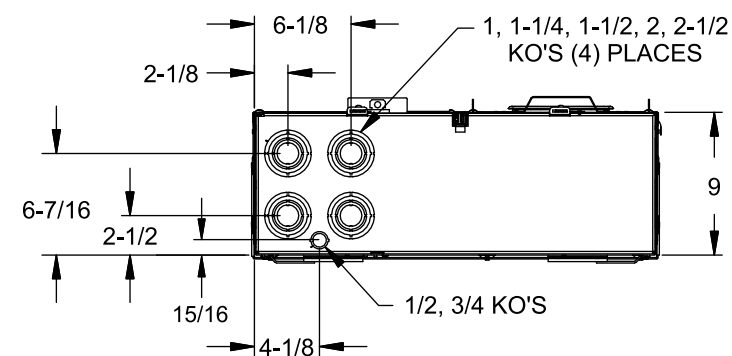
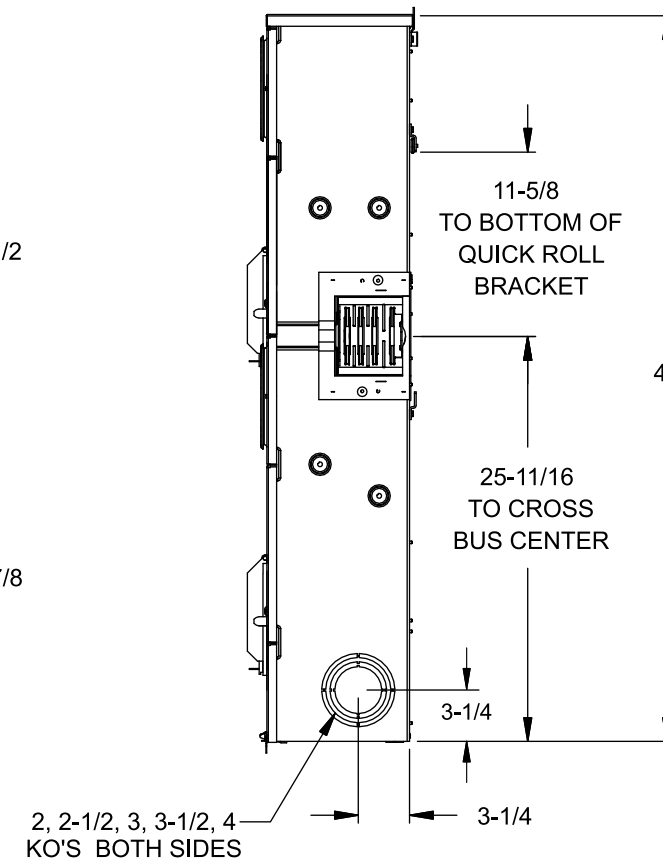
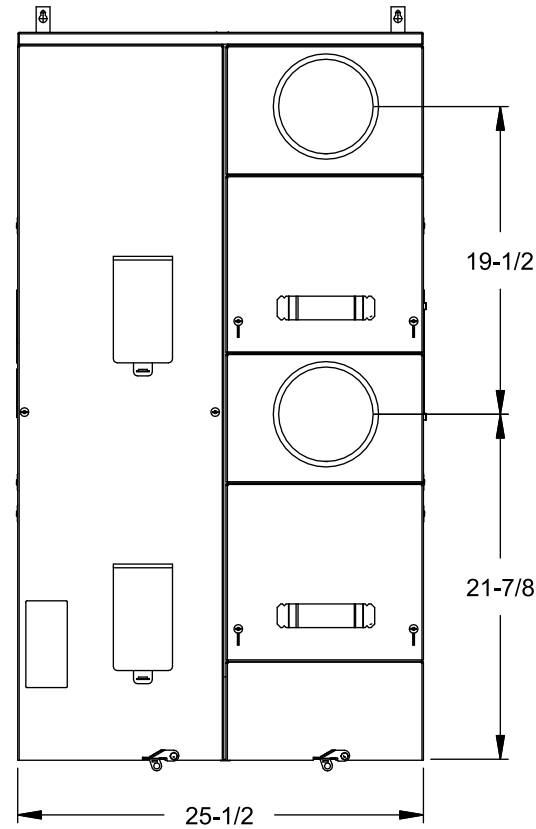
Catalog Numbers, Ratings and Features

| Catalog No. | Max. Branch Rating | Main Bus, 1200A Max. | Breaker Type | Meter Socket Cover | Meter Socket Type/ Continuous Rating | No. of Jaws | Bypass Type | Neutral Lug (Qty) and Wire Range | Equip Ground Lug (Qty) and Wire Range |
|-------------|--------------------|----------------------|-----------------|--------------------|--------------------------------------|-------------|-------------|----------------------------------|---------------------------------------|
| MT23225J | 225A | 3 Phase | 3 Pole QR or QJ | Ring | TBB-7 / 200A | 7 | Test Block | (2) #4-300 kcmil | (3) #4-2/0 AWG |

- TYPE 1 INDOOR ENCLOSURE
- 208Y/120 VOLTS AC, 3 PHASE, 4 WIRE
- 240/120 VOLTS AC, 3 PHASE, 4 WIRE DELTA
- 3 PHASE INPUT, 3 PHASE OUTPUT
- MOUNTING RAILS AND ADJUSTABLE BRACKETS FOR SECURE MOUNTING
- COMPLIES WITH EUSERC DWG. No. 312 AND 353



SPRING-LOADED STUDS
SEE DETAIL

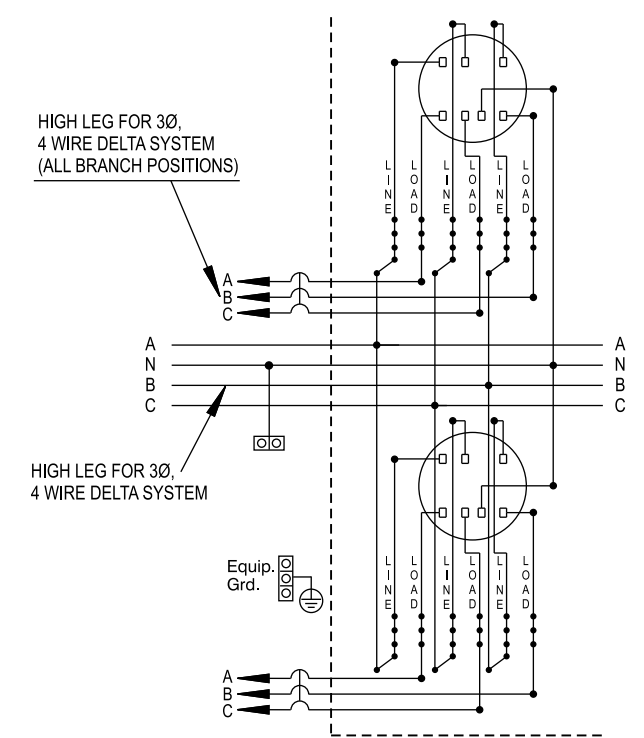


Additional Modules and Accessories

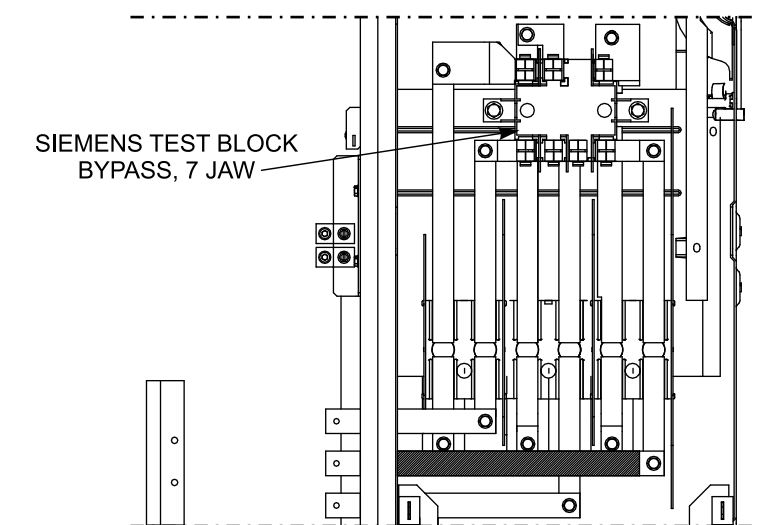
| FOR USE WITH: Module Description | Siemens Series# |
|-------------------------------------|---|
| Main Breakers | (W)MC, WB, WEB, WXB, WBT |
| Switches | WMP, WMS, WS, WES |
| Tap/Terminal Boxes | WMTB, WTB, WET, WT_PU |
| Pull Boxes | WMMB |
| Meter Module | (W)MM, WxMM, (W)MT, (W)ML, (W)MK, (W)MLZ(F) |
| Meter Combinations | WC, WCL, WCT |
| Extension Box | WMEX, WSP, WSPD |
| Bussed Elbow | BE, WELB |

| Connect Modules Using: | Catalog Number / Torque |
|------------------------|---|
| QuickConnect, 3 Phase | QC4, Torque 400-440 lb-in (35-36 ft.-lb.) |

Schematic



Enlarged Socket Detail



© 2017 Copyright Siemens Industry, Inc.

SIEMENS
Siemens Industry, Inc.

PowerMod™ Modular Metering

Description:
Test Block Bypass 2 Pos 225A Tenant Indoor 3in-3out Commercial Metering Module

KAM 11/10/17 DO NOT SCALE DRAWING Dwg No: **MT23225J**