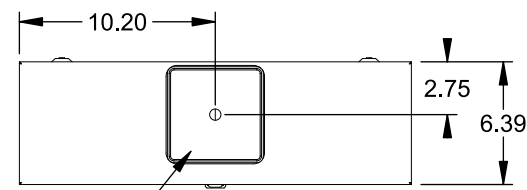


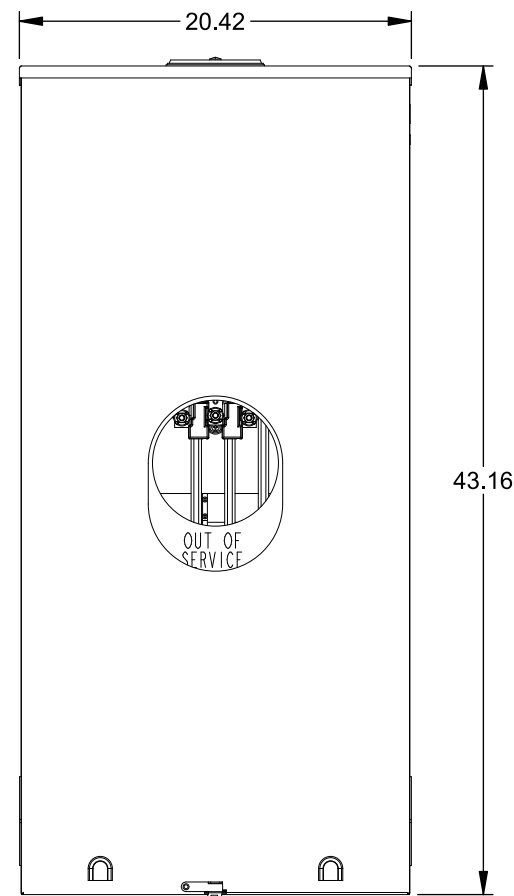
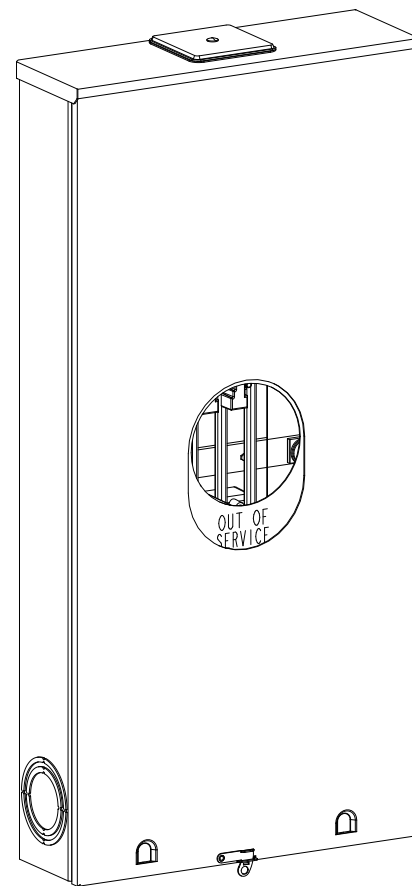
Catalog Number: 9817-8528

Features and Ratings

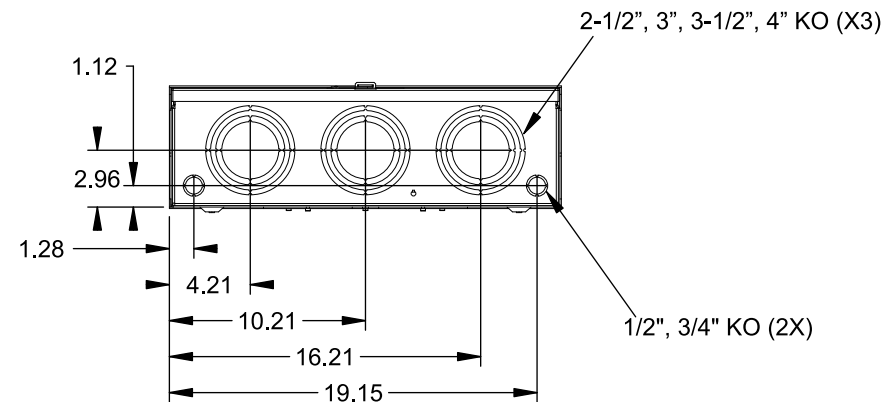
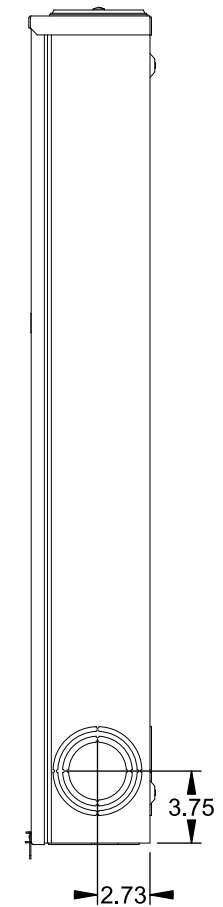
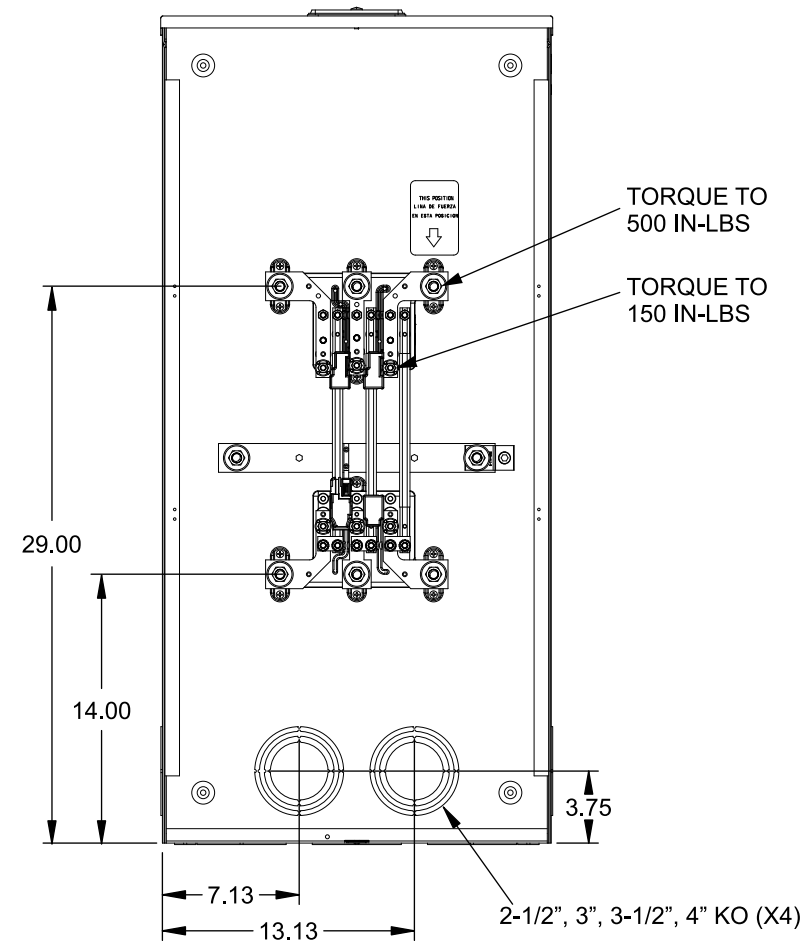
- Ringless Type Meter Socket
- 400A Continuous, 400A Max., 600V AC
- Outdoor Enclosure (NEMA Type 3R)
- Painted G90 Steel Enclosure
- 3 Phase, Commercial Industrial Socket
- Meter Socket Type K-7T
- For Overhead & Underground Service
- Large Hub Opening, HD Type Cover Plate Installed



TYPE HD (LARGE) HUB OPENING COVER PLATE INSTALLED



VIEW SHOWN WITH COVER REMOVED



Accessories

CONDUIT HUBS (HD Type)	
TRADE SIZE	CATALOG No.
3 INCH	EC56856 or H56856-2
3-1/2 INCH	EC56857 or H56857-2
4 INCH	EC56858 or H56858-2
Hub Cover Plate	EC56933 or H56933S

CAT No.	DESCRIPTION
H69623	Bypass
H69685-1	Isolated Neutral Kit
H69546-1	Hex Magnet Socket Kit
H69232-1	Insulated T-Handle Kit
H65050	K-base Insulator Kit
H63864	K-base Ground Kit

Connectors, Wire Sizes and Torques

CONNECTOR	PART No.	HEX DRIVE	WIRE SIZE	TORQUE
LINE	56476	1/2"	3/0 - 800 kcmil	275 IN.-LBS.
LINE/LOAD/NEUT	56732	5/16"	(2)#4 - 600 kcmil	500 IN.-LBS.
GROUND*	56734	5/16"	#6 - 250 kcmil	275 IN.-LBS.

*Factory Installed

© 2016 Copyright Siemens Industry, Inc.

TALON
Meter Socket

Description: **400A Cont, 4 Terminal, K-7T, 600V AC, Painted Steel Enclosure**

JEL 2/1/16 | DO NOT SCALE DRAWING | Dwg No: **9817-8528**