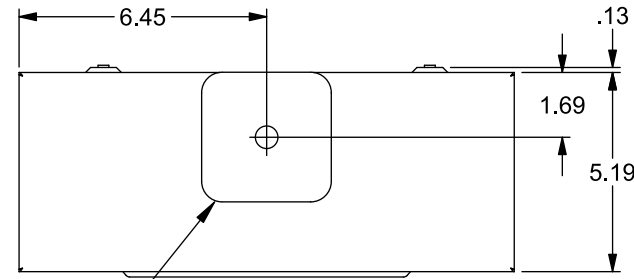
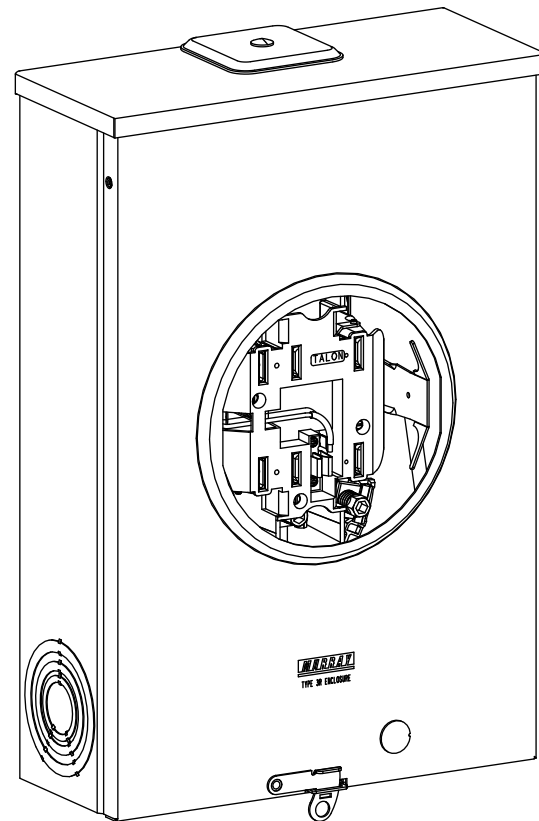


# Catalog Number: RH173GR

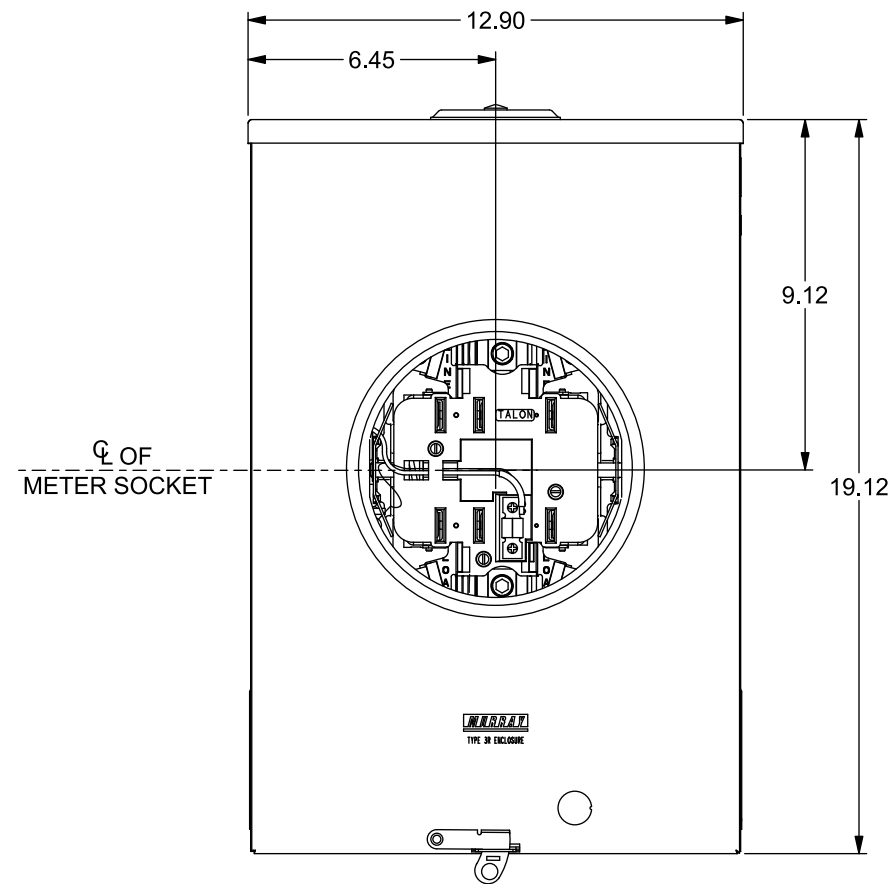
## Features and Ratings



- Ringless Type Meter Socket
- 200A Continuous, 200A Max., 600V AC
- Outdoor Enclosure (NEMA Type 3R)
- Painted G90 Steel Enclosure
- 3 Phase, 4 Wire
- 7 Jaw Meter Socket
- Meter Socket Type HQ-7U
- For Overhead & Underground Service
- RX Type Hub Opening, Cover Plate Installed
- Lever Bypass
- Double Bonded Neutral - No Ground Lug
- 7/8" Barrel Lock Provision w/Bracket

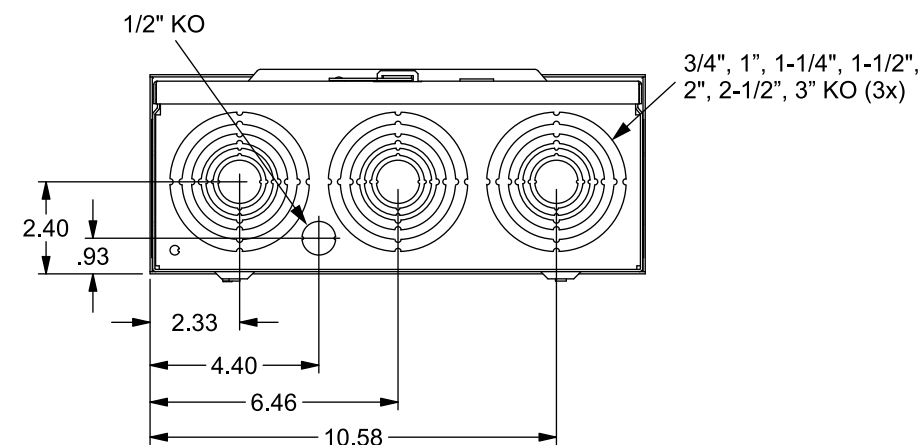
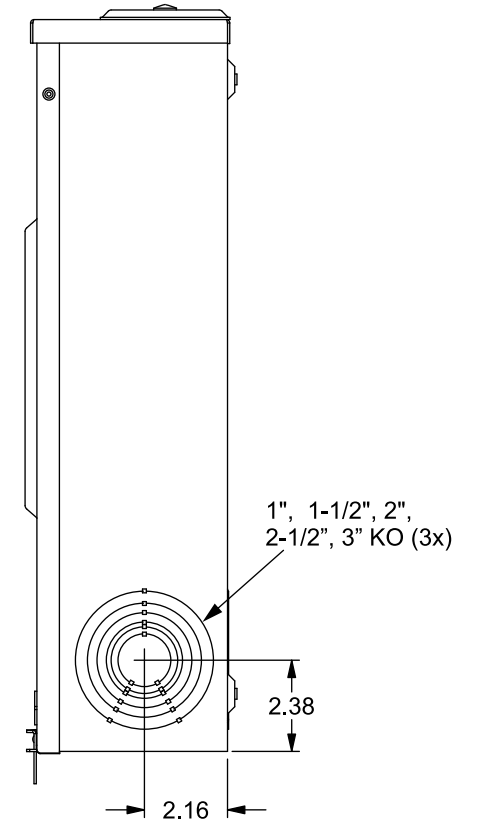
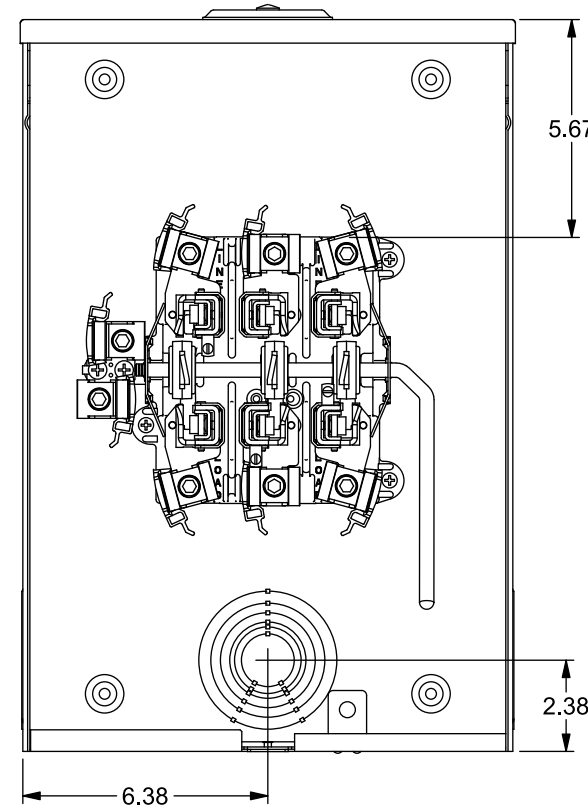


TYPE RX (SMALL) HUB OPENING  
COVER PLATE INSTALLED



CL OF  
METER SOCKET

VIEW SHOWN WITH COVER AND  
SHIELD ASSEMBLY REMOVED



## Accessories

CONDUIT HUBS (RX Type)	
TRADE SIZE	CATALOG No.
1-1/4 INCH	EC38597 or H38597-2
1-1/2 INCH	EC38598 or H38598-2
2 INCH	EC38599 or H38599-2
2-1/2 INCH	EC38600 or H38600-2
Hub Cover Plate	EC38595 or H38595-1

GROUND LUG KIT Cat. No: H55303  
Wire Size #4-14, Torque 50 IN-LB

GROUND LUG KIT Cat. No: H80500017  
Wire Size #4-2, Torque 45 IN-LB  
Wire Size #14-2/0, Torque 45 IN-LB

INSULATED NEUTRAL KIT  
Cat. No: H64685-1, H64690-1

## Connectors, Wire Sizes and Torques

CONNECTOR	WIRE SIZE	TORQUE
△ LINE, LOAD, NEUTRAL*	#6 - 350 kcmil	275 IN.-LBS.

- \* External Hex Drive 1/2"
- \* Internal Hex Drive 5/16"
- △ Wire bending space provided for up to 250 kcmil wire.

© 2017 Copyright Siemens Industry, Inc.



## Meter Socket

Description: 200A Cont, 7 Jaw, HQ-7U, 600V AC,  
Dbl Bonded Neutral, Painted Steel Enclosure

KAM 10/16/17 DO NOT SCALE DRAWING Dwg No: RH173GR