

FOR APPROVAL ONLY

- MADE IN USA

SIEMENS

CATALOG NO. 3F3Y015BSSN4XBA

SERIAL NO. SERIES H

15 kVA 60 Hz 3 PHASE

3.6 % IMP AT 100 °C

80 °C RISE 30 °C AVG. AMBIENT

220 °C TEMP CLASS 40 °C MAX. AMBIENT

PRIMARY (H1 H2 H3) 480 V

SECONDARY(X0 X1 X2 X3) 208Y/120 V

WINDING MATERIAL AL

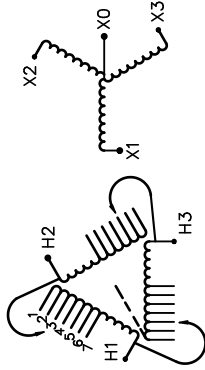
ENCLOSURE TYPE 4X

WEIGHT 320 LBS

SPACINGS BETWEEN ANY VENTILATED ENCLOSURE PANEL AND ANY ADJACENT WALL SHALL BE A MINIMUM OF 3 INCHES

SUITABLE FOR INDOOR OR OUTDOOR LOCATIONS BEFORE HANDLING, INSTALLING AND OPERATING, SEE INSTRUCTION MANUAL

NEMA ClassANC Dry Type Transformer Siemens Industry, Inc. Norcross, GA



VOLTS	CONNECT
504	1
492	2
480	3
468	4
456	5
444	6
432	7

TYPE KN

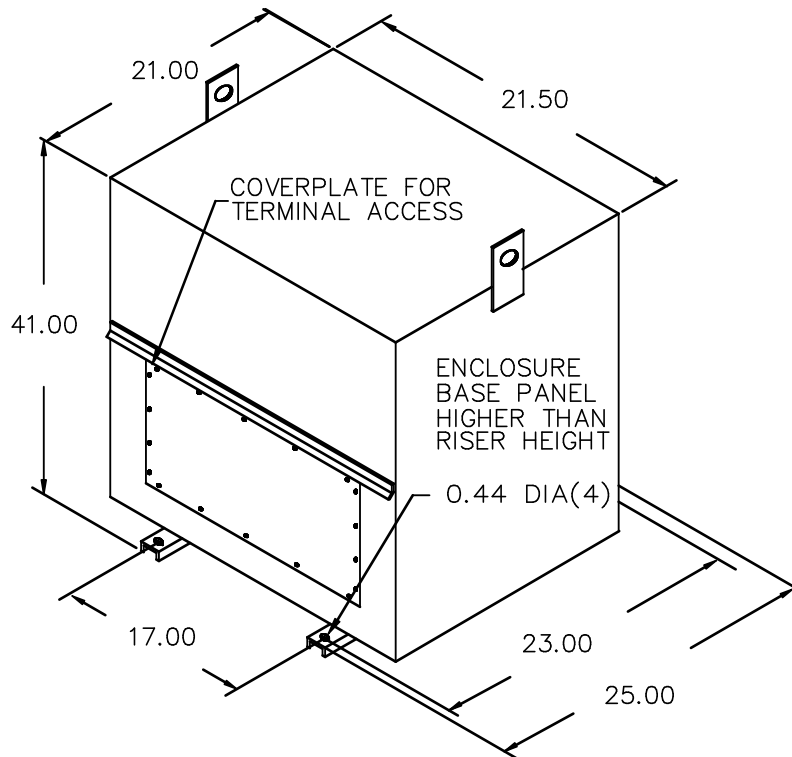


3F3Y015BSSN4XBA

REVISION	DATE	BY	DATE	BY
			17/02/28	GP

Confidential - Property of Siemens Industry, Inc.	
CUSTOMER	
ORDER NO.	DWG. NO.
	3F3Y015BSSN4XBA SH 1 OF 2

FOR APPROVAL ONLY



All Dimensions in inches

ENCLOSURE COLOR :304 STAINLESS STEEL #4 FINISH

HV TERMINAL DETAIL

LV TERMINAL DETAIL

MECHANICAL TYPE LUGS INCLUDED
SUITABLE FOR #14-2 CU/AL
CONDUCTORS
1 CONDUCTOR PER PHASE

MECHANICAL TYPE LUGS INCLUDED
SUITABLE FOR #14-2 CU/AL
CONDUCTORS
1 CONDUCTOR PER PHASE

CUSTOMER NOTES:

- HV TERMINATED AT TOP FRONT
- LV TERMINATED AT BOTTOM FRONT

Confidential - Property of
Siemens Industry, Inc.

REVISION	DATE	BY	DATE	BY
			17/02/28	GP

CUSTOMER	
ORDER NO.	DWG. NO.
	3F3Y015BSSN4XBA SH 2 OF 2

0.0 gpatel 2017/02/28 17:44