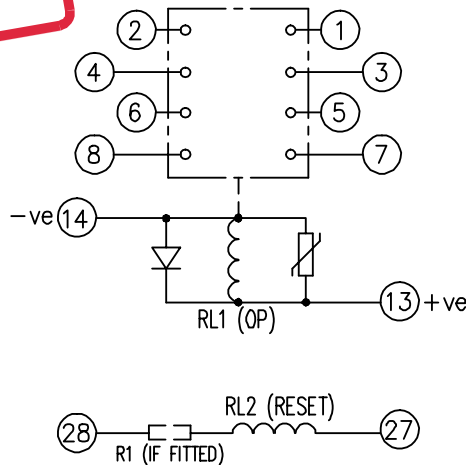


2112W50188

LOOKING ON FRONT OF RELAY

**NOT SUBJECT TO UPDATE  
ONCE COPIED / PRINTED  
OR DOWNLOADED**



**PRINTED ON 18/06/2009  
ENSURE CORRECT REVISION  
DESTROY AFTER USE**

NOTE:  
RESET COILS ARE NOT CONTINUOUSLY RATED.  
IT IS RECOMMENDED THAT A N.O. CONTACT IS  
CONNECTED IN SERIES WITH THE RESET COIL.

KEY

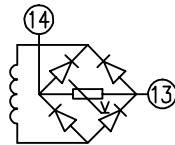
- ○ make contact
- □ break contact
- □ c/o contact
- ② ext. conn
- plug bridge - shorting
- ⊖ metering point
- 5Kv barrier
- test socket - shorting
- plug & socket

R1	NIL	2102C15687	NIL	2102C15270	NIL	2102C15471
Volts dc	24	30	48	60	125	240

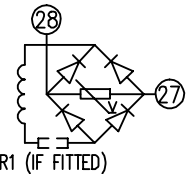
CONTACT CONFIG.	OUTPUT CONTACT PAIR / TERMINAL No.					
	1-3	2-4	5-7	6-8	9-11	10-12
4M	M	M	M	M		
3M 1B	M	B	M	M		
2M 2B	B	B	M	M		
1M 3B	B	B	M	B		
	4B	B	B	B		

NOTE: WHEN RECTIFIER IS SPECIFIED  
COIL CONNS. ARE AS SHOWN.

OPERATION



RESET



FRAME REFERENCE: E2FAQM.

FRAME TERMINAL BLOCK ASSY: -

ASSEMBLY INSTRUCTIONS: -  
TYPICAL ASSEMBLY DRAWING 2995G10032.  
AT INDICATED POSITIONS FIT AS FOLLOWS:  
T - FIT TRIP ISOLATION CONTACT 2995B10053  
S - FIT STANDARD CONTACT 2995B10054  
SECURE CONTACTS USING FIXING SCREW  
2109F99009.  
POSITIONS SHOWN BLANK ARE UNUSED

2	T	T	1
4	T	T	3
6	T	T	5
8	T	T	7
10			9
12			11
14	S	S	13
16			15
18			17
20			19
22			21
24			23
26			25
28	S	S	27

VIEW FROM NUMBERED  
SIDE OF BLOCK

OUTER TERMINAL BLOCK ASSY: -

ASSEMBLY INSTRUCTIONS: -  
TYPICAL ASSEMBLY DRAWING 2995G10029.  
AT INDICATED POSITIONS FIT AS FOLLOWS:  
S - FIT STANDARD CONTACT 2995B10051  
HC - FIT 'HEAVY CURRENT' KIT 2995G10030  
WHERE ⊖ ⊖ IS SHOWN FIT CT SHORTING  
KIT 2995G10031  
POSITIONS SHOWN BLANK ARE UNUSED.  
ALL POSITIONS FIT SCREW 2106F12506.

2	S	S	1
4	S	S	3
6	S	S	5
8	S	S	7
10			9
12			11
14	S	S	13
16			15
18			17
20			19
22			21
24			23
26			25
28	S	S	27

VIEW FROM INSIDE  
FACE

Title:  
T.B. AND W.D. FOR AR1-3D/AR1-6D  
4 CONT. RELAY IN E2 CASE

First used on:

Similar Articles:

Supersedes:

Drq.No.

2112W50188

**SIEMENS PROTECTION DEVICES LTD.**

Original Scale.

2 RDW	10/06/09	MN112/3151
1	07/01/09	
ISSUE	DATE	MOD.No.

DRAWN: A.L.A.W. CHECKED: RDW APPROVED: RD.WATSON DATE: 08/01/09 IE: OPS: