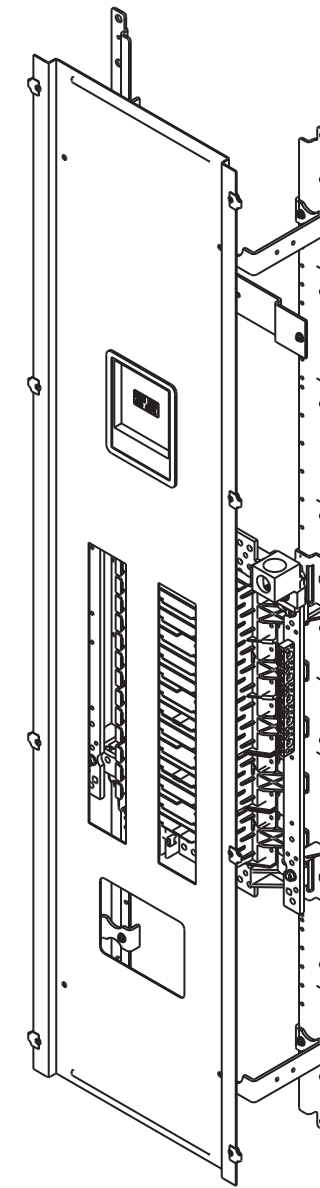


SIEMENS

P1-400 Panelboard Kit 4MLKA1A, 4MLKA3A Main / Feed-thru Lugs

(for use in Revised P1 Panelboards ONLY)¹

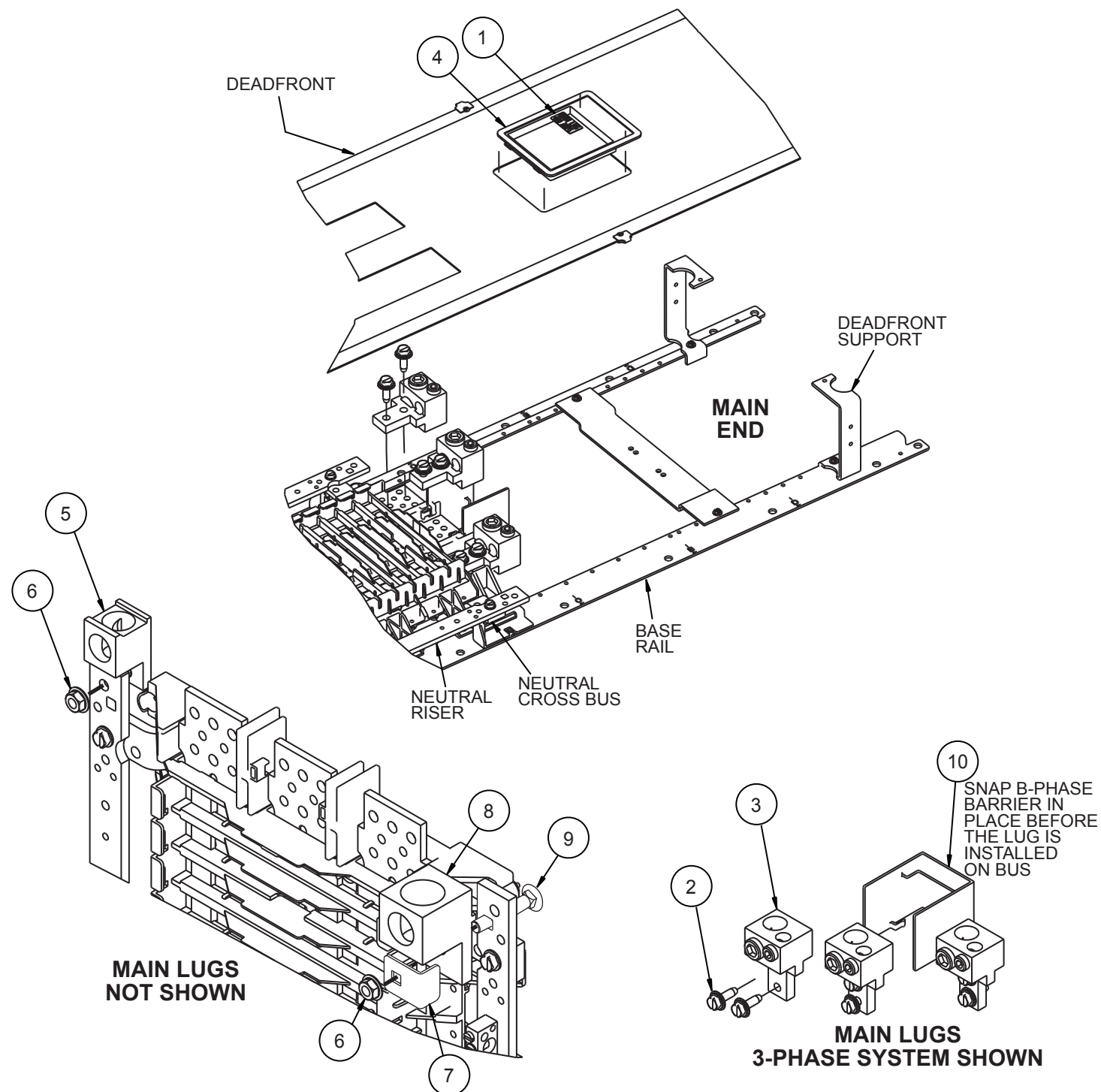
Installation
Instructions



¹ To confirm, note the part number of the panel (marked on the interior label).
If it ends in an "N" or a "T" it is a "Revised P1" and is compatible with this kit.
(For example: P1E42MC250A is an Original P1; P1E42MC250AT is a Revised P1)

These instructions do not purport to cover all details or variations in equipment, or to provide for every possible contingency to be met in connection with installation, operation or maintenance. Should further information be desired or should particular problems arise, which are not covered sufficiently for the purchaser's purposes, the matter should be referred to the local Siemens sales office. The contents of this Instruction manual shall not become part of or modify any prior or existing agreement, commitment or relationship. The sales contract contains the entire obligation of Siemens. The warranty contained in the contract between the parties is the sole warranty of Siemens. Any statements contained herein do not create new warranties or modify the existing warranty.

Trademarks - Unless otherwise noted, all names identified by ® are registered trademarks of Siemens AG or Siemens Industry, Inc. The remaining trademarks in this publication may be trademarks whose use by third parties for their own purposes could violate the rights of the owner.



THIS KIT CONTAINS THE FOLLOWING ITEMS:

ITEM	DESCRIPTION	QTY
1	MAIN LABEL	1
2	5/16"-18 x 1" SEMS* THREAD-FORMING SCREW	**
3	DOUBLE LUG	***
4	BLANK FILLER	1
5	350 kcmil LUG ASSEMBLY	1
6	1/4"-20 BELLEVILLE WASHER NUT	2
7	ANTI-TURN PLATE	1
8	600 kcmil LUG	1
9	1/4"-20 x 1" CARRIAGE BOLT	1
10	INTERPHASE BARRIER	****

* SEMS ASSEMBLY SCREWS HAVE A CAPTIVE WASHER ON THE SCREW
 ** (4) FOR 1-PHASE; (6) FOR 3-PHASE
 *** (2) FOR 1-PHASE; (3) FOR 3-PHASE
 **** (0) FOR 1-PHASE; (1) FOR 3-PHASE

Installation Instructions

The following instructions are for the installation of Siemens main / feed-thru lug kit in a Revised P1, 400 amp, Panelboard. The parts provided in this kit are for connection to a 1-phase 2 or 3-wire system OR a 3-phase 3 or 4-wire systems. For systems with no neutrals, disregard the neutral instructions.



1. Lock off all power supplying this equipment before working on it.
2. Remove the deadfront.

For installation as main lugs:

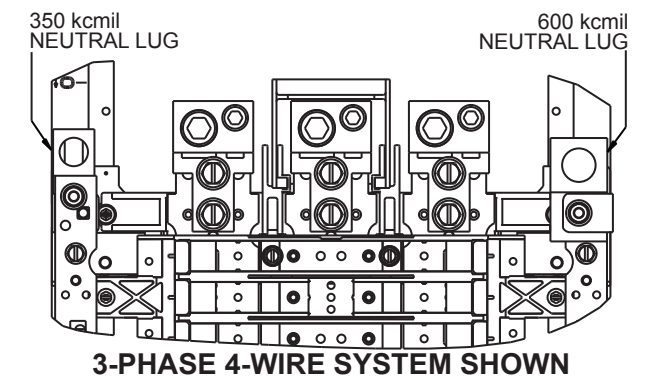
3. To install this kit for main lug use, remove the main (if installed).
4. For 3-phase applications, snap the interphase barrier (item 10) in place on B-phase by inserting the tabs on the barrier into the slots on the bus support.
5. Position the main lugs (item 3) as shown. Fasten each lug to the panel section or main bus using two 5/16"-18 x 1" SEMS thread-forming screws (item 2) per lug.
6. On 1-phase 3-wire or 3-phase 4-wire systems, neutral lugs are required. For the 600 kcmil lug, push the carriage bolt (item 9) through the square hole on the underside of the neutral riser, then place the 600 kcmil lug (item 8) and the anti-turn plate (item 7) as shown. Finish with the 1/4"-20 belleville washer nut (item 6).

8. Torque all connections to the values specified on the Hardware Tightening Torque label affixed to the rear of the deadfront.
9. Attach the cables to the lugs and torque connections to values specified on the Hardware Tightening Torque label affixed to the rear of the deadfront.
10. Remove any breaker fillers (if installed) and fill the opening with the blank filler (item 4) provided with this kit.
11. A label is provided (item 1) to mark the ampacity of the panel's main lugs. Apply the label to the center of the installed blank filler (item 4).
12. Before energizing the panel, ensure that all connections have been properly torqued, that the deadfront is installed and that all fillers are in place.

For installation as feed-thru lugs*:

13. Follow steps 1 through 11 except that any existing subfeed or feed-thru lug assemblies are to be removed. In addition, do not install the "MAIN" label. Finish with Step 12.

* For panels with feed-thru or subfeed space ONLY



7. Position the 350 kcmil neutral lug assembly (item 5) under the neutral riser, allowing the stud to penetrate as shown. Fasten it to the riser with a 1/4"-20 belleville washer nut (item 6). NOTE: If the panelboard is fed by (2) 250 kcmil or smaller cables, this lug assembly is used for the second incoming cable and one of the 1/0 terminations on the neutral strip is used for a grounding electrode conductor (if required for service equipment applications). If the panelboard uses a 600 kcmil cable for the neutral and is being used as service equipment, the 350 kcmil lug is used for the grounding electrode conductor.