




REVISION	DATE	BY	DATE	BY
		DRAWN	06/12/14	JW
		CHEK'D		
		VERIF'D		

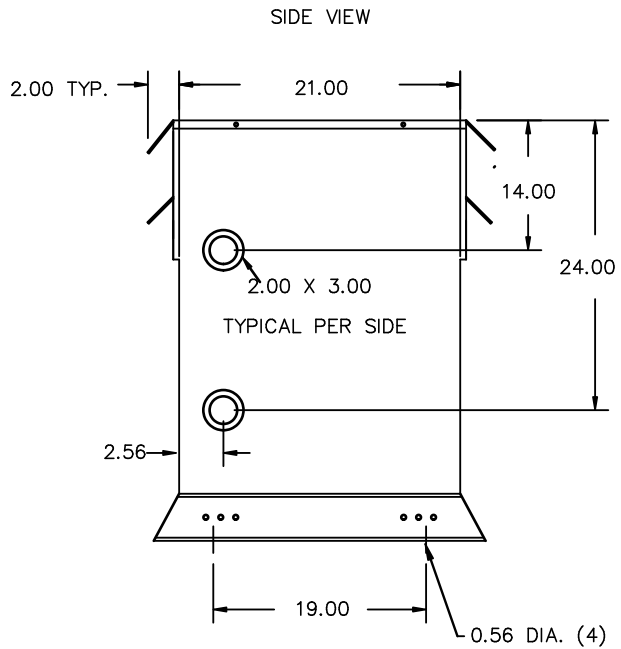
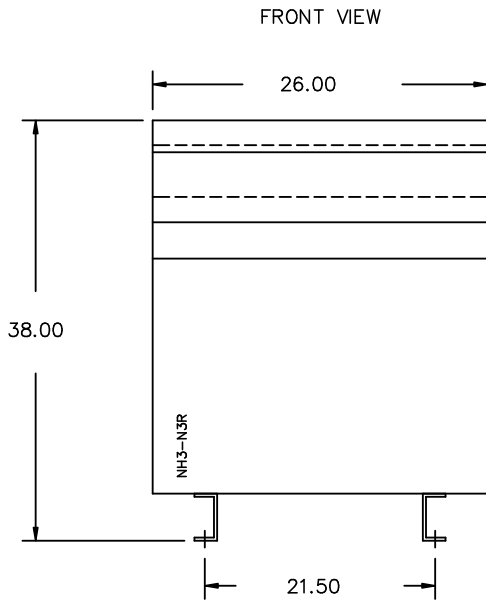
Confidential - Property of Siemens Industry, Inc. Building Technologies Division	
CUSTOMER	
ORDER NO.	DWG. NO.
	1D1Y075CTP1
	SH 1 OF 2

SIEMENS

CATALOG NO. 1D1Y075CTP1 SERIAL NO. SERIES H 75 kVA 60 Hz 1 PHASE 4.1 % IMP AT 170 °C 150 °C RISE °C AVG. AMBIENT 220 °C TEMP CLASS °C MAX. AMBIENT PRIMARY (H4 H2 H3 H1) 240X480V V SECONDARY(X1 X3 X2 X4) 120/240V V WINDING MATERIAL CU ENCLOSURE TYPE NEMA-3R WEIGHT 590 LBS ENERGY EFFICIENCY NEMA TP 1-2002	<div style="display: flex; justify-content: space-between;"> <div style="width: 45%;"> <p>LISTED DISTRIBUTION TRANSFORMER 77US TYPE F</p>  LR 3902 E112313 </div> <div style="width: 45%;">  </div> </div> <p>SUITABLE FOR INDOOR OR OUTDOOR LOCATIONS DO NOT INSTALL IN AREAS ACCESSIBLE TO PUBLIC FOR INSTALLATION SEE INSTRUCTION MANUAL</p> <p>NEMA Class ANN Dry Type Transformer Siemens Industry, Inc. Norcross, GA</p>
	

1D1Y075CTP1

dsu0082e1



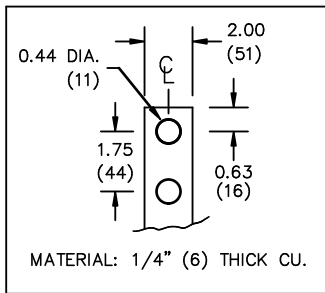
All Dimensions in inches

ENCLOSURE COLOR :ANSI 61 GREY – OUTDOOR

H.V.1. TERMINAL DETAIL

L.V.1. TERMINAL DETAIL

MECHANICAL TYPE LUGS INCLUDED
SUITABLE FOR 350MCM-6 CU/AL
CONDUCTORS
1 CONDUCTOR PER PHASE



CUSTOMER NOTES:

- HV1 TERMINATED AT TOP FRONT
- LV1 TERMINATED AT BOTTOM FRONT

Confidential – Property of
Siemens Industry, Inc.
Building Technologies Division

REVISION	DATE	BY	DATE	BY
		DRAWN	06/12/14	JW
		CHEK'D		
		VERIF'D		

CUSTOMER	
ORDER NO.	DWG. NO. 1D1Y075CTP1
SH 2 OF 2	

0.1 jwen 2010/01/21 13:28