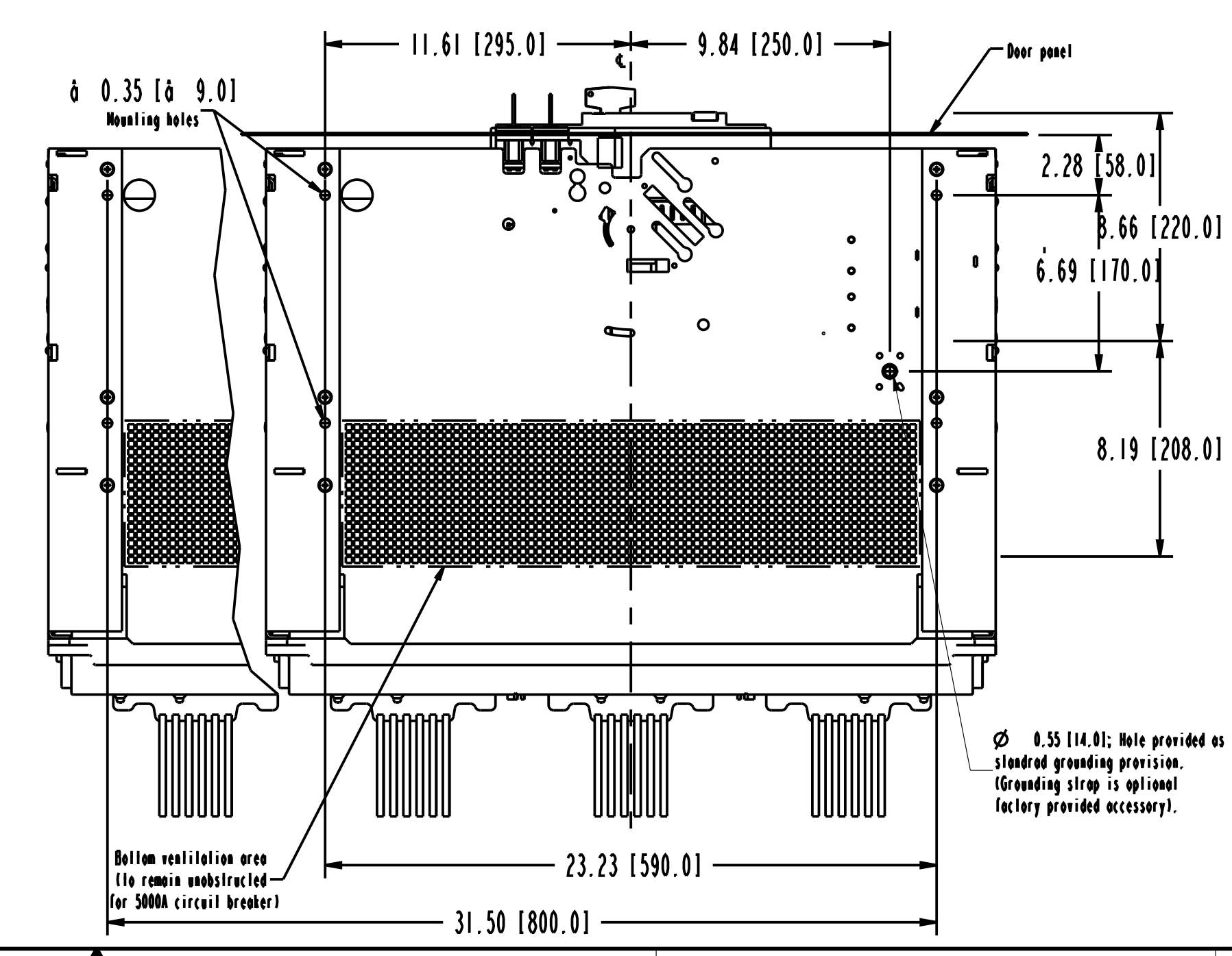
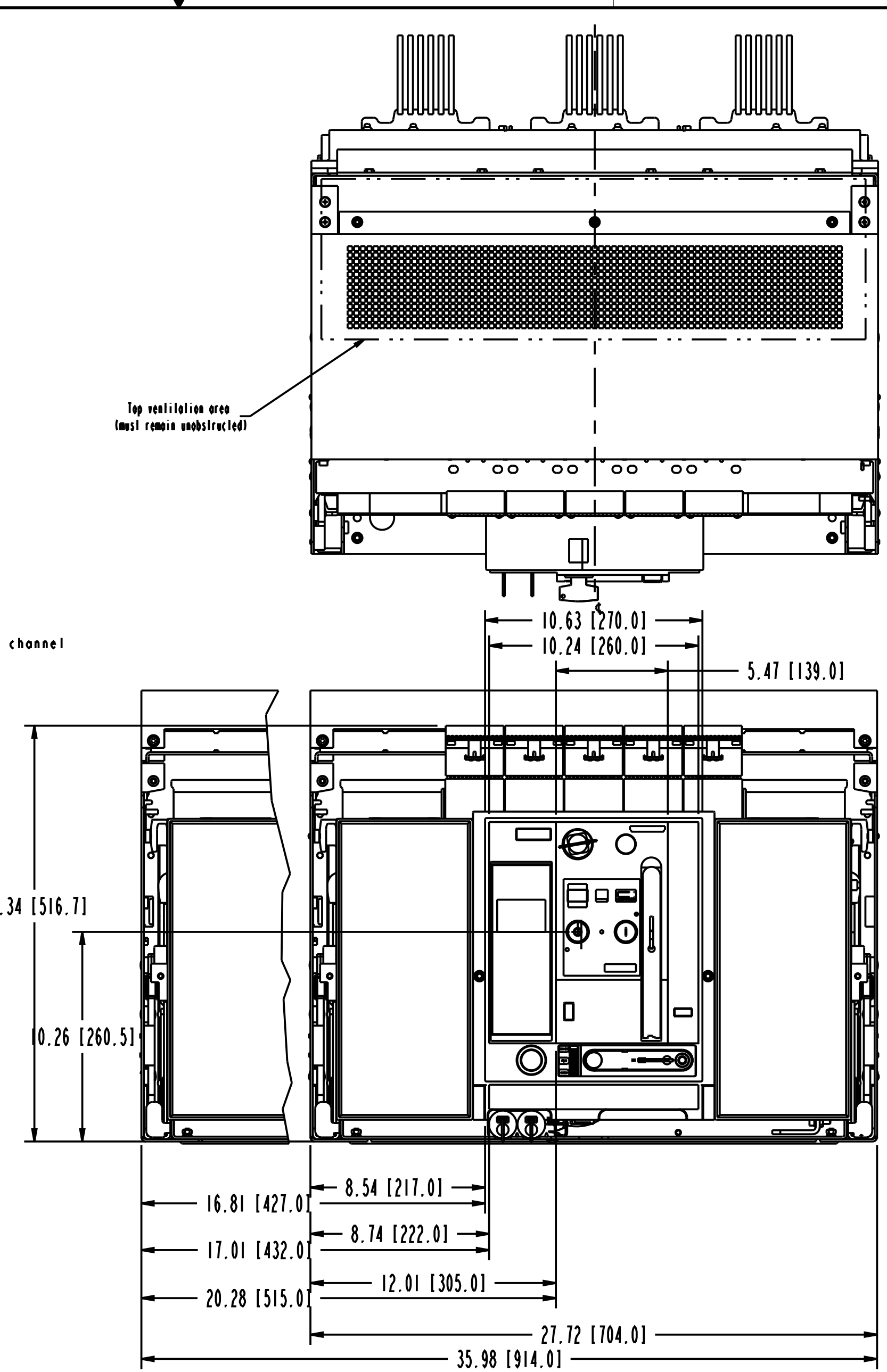
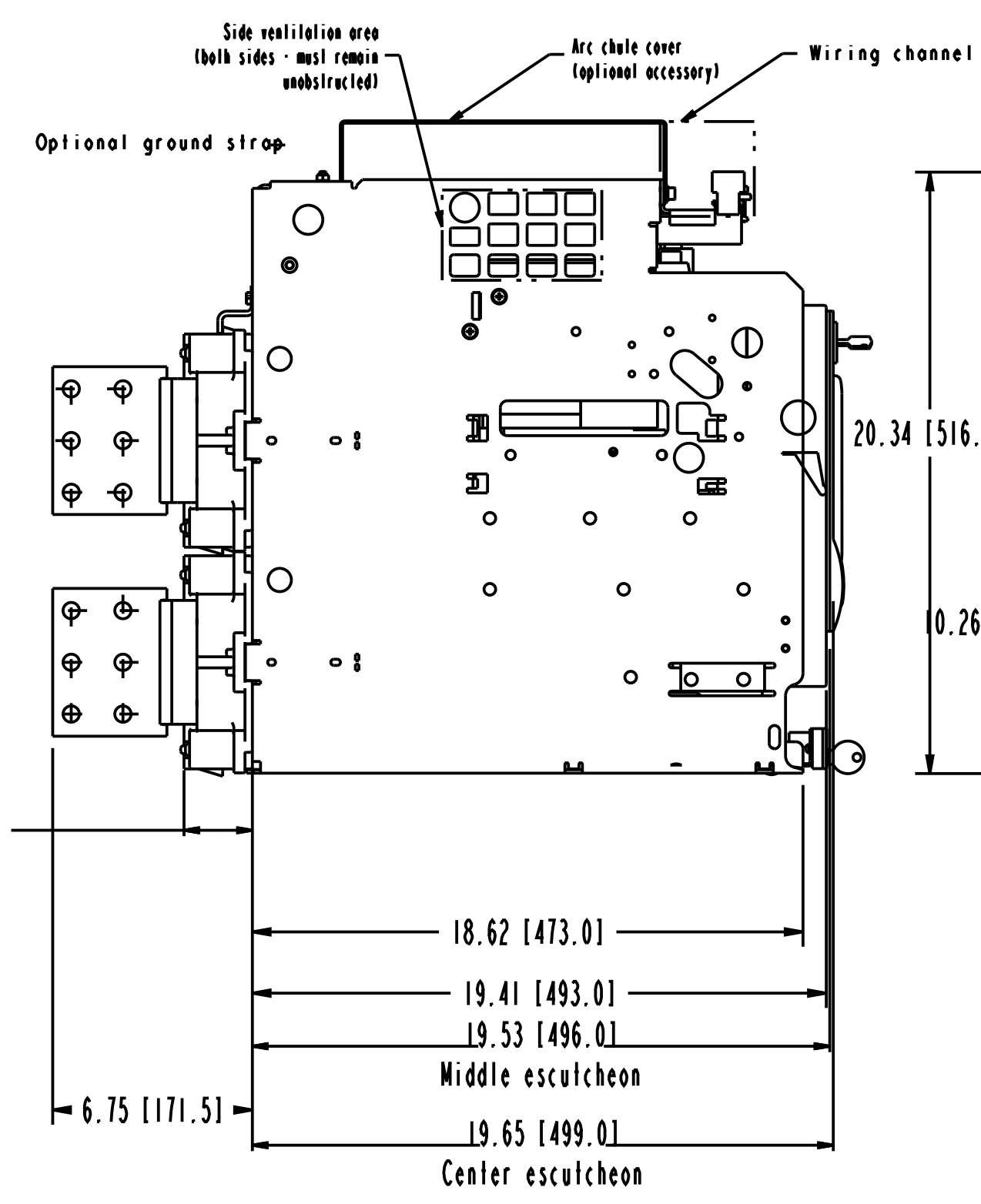
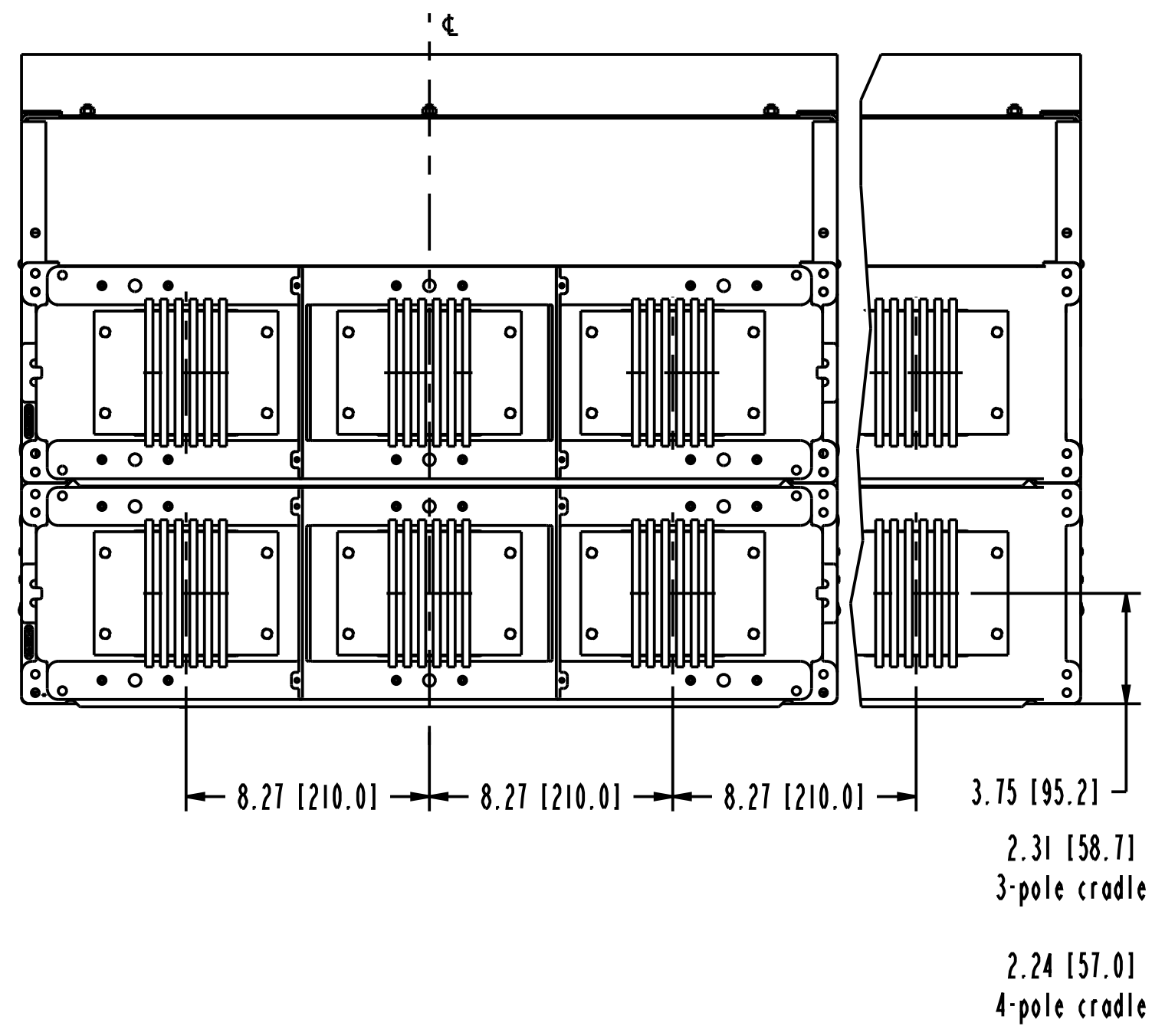


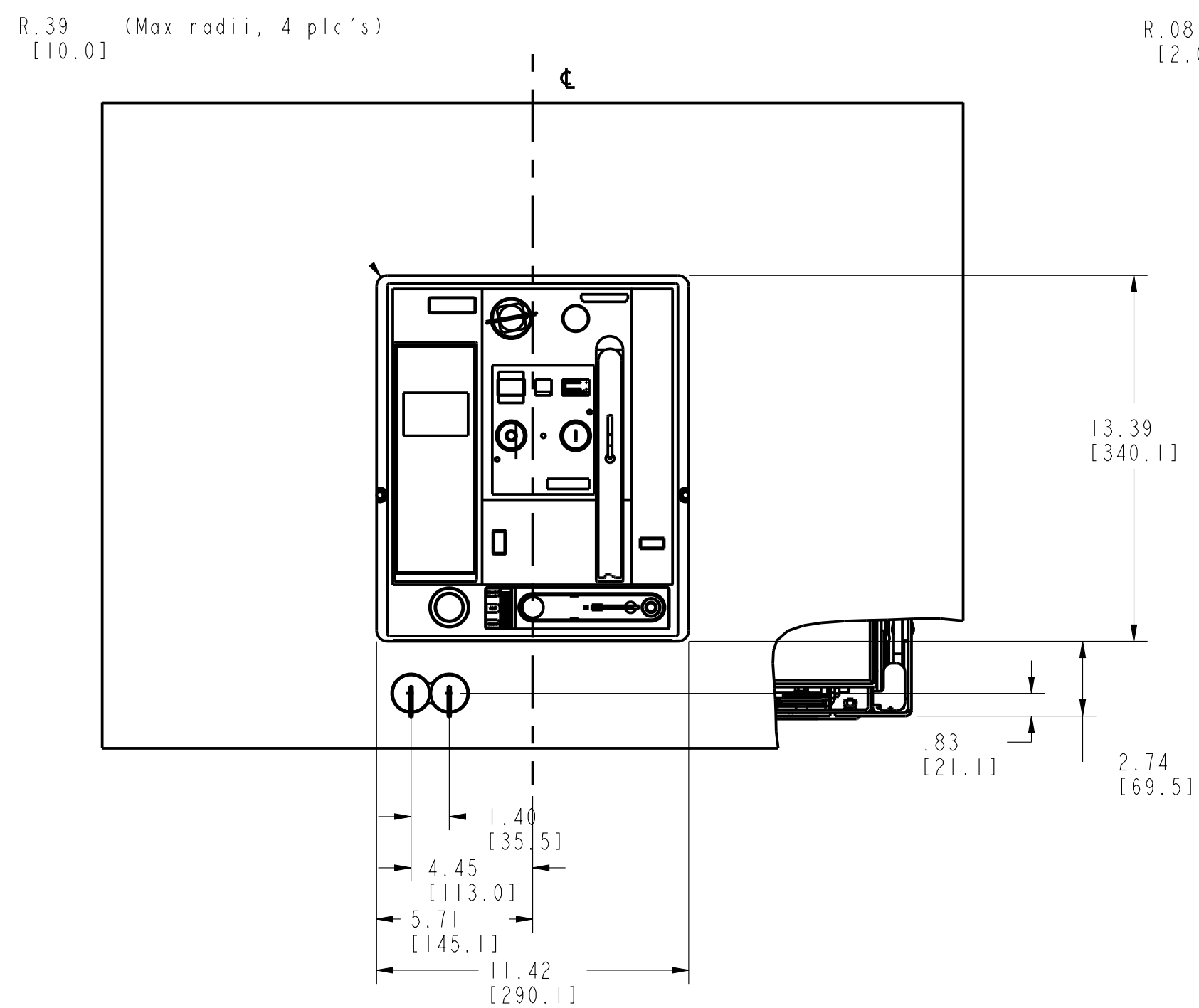
REVISIONS				
REV	ECN/MCR	DESCRIPTION	DATE CHANGED BY	APPROVED BY
OP		INITIAL PRELIMINARY RELEASE	07-13-15	M. Rodr



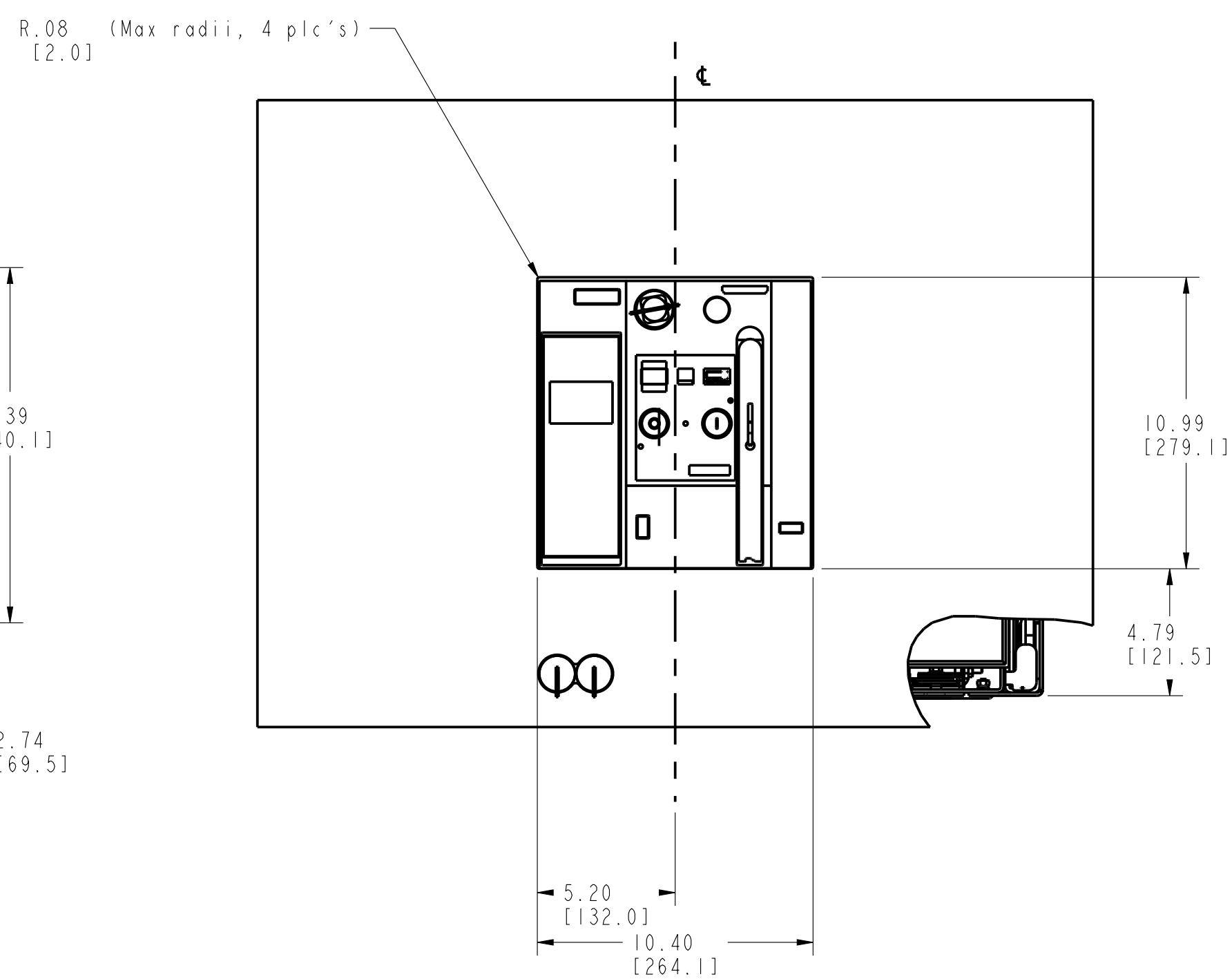
814885	Drawing applicable for the following frames WLH3A440, WLH3A450, WLL3A440, WLL3A450, WLL3S440, WLL3S450
PART OR IDENTIFYING NO.	MATERIAL/SPECIFICATION
CONFIDENTIAL - PROPERTY OF Siemens Industry, Inc.	
Siemens Industry, Inc.	
UL 1066 FS3 Drawout 4P Classes H & L	
UNLESS OTHERWISE SPECIFIED DIMENSIONS ARE IN INCHES DO NOT SCALE DRAWING	
TOLERANCES: .X1 ±.01 .XXX ±.005 ANGULAR ±1.00	
DWN: M. Rodr	DATE: 7-13-15
CHK: K. Flowers	DATE: 7-15-15
APVD: S. Puppala	DATE: 7-17-15
SIZE: D	FSCM NO.
DWG NO. 814885	REV. OP
SCALE: DRAWING SCALE	PROJ: FILE 814885
SHEET 1 OF 2	

REVISIONS				
REV	ECN/MCR	DESCRIPTION	DATE CHANGED BY	APPROVED BY
		See Description of changes on sheet 1		

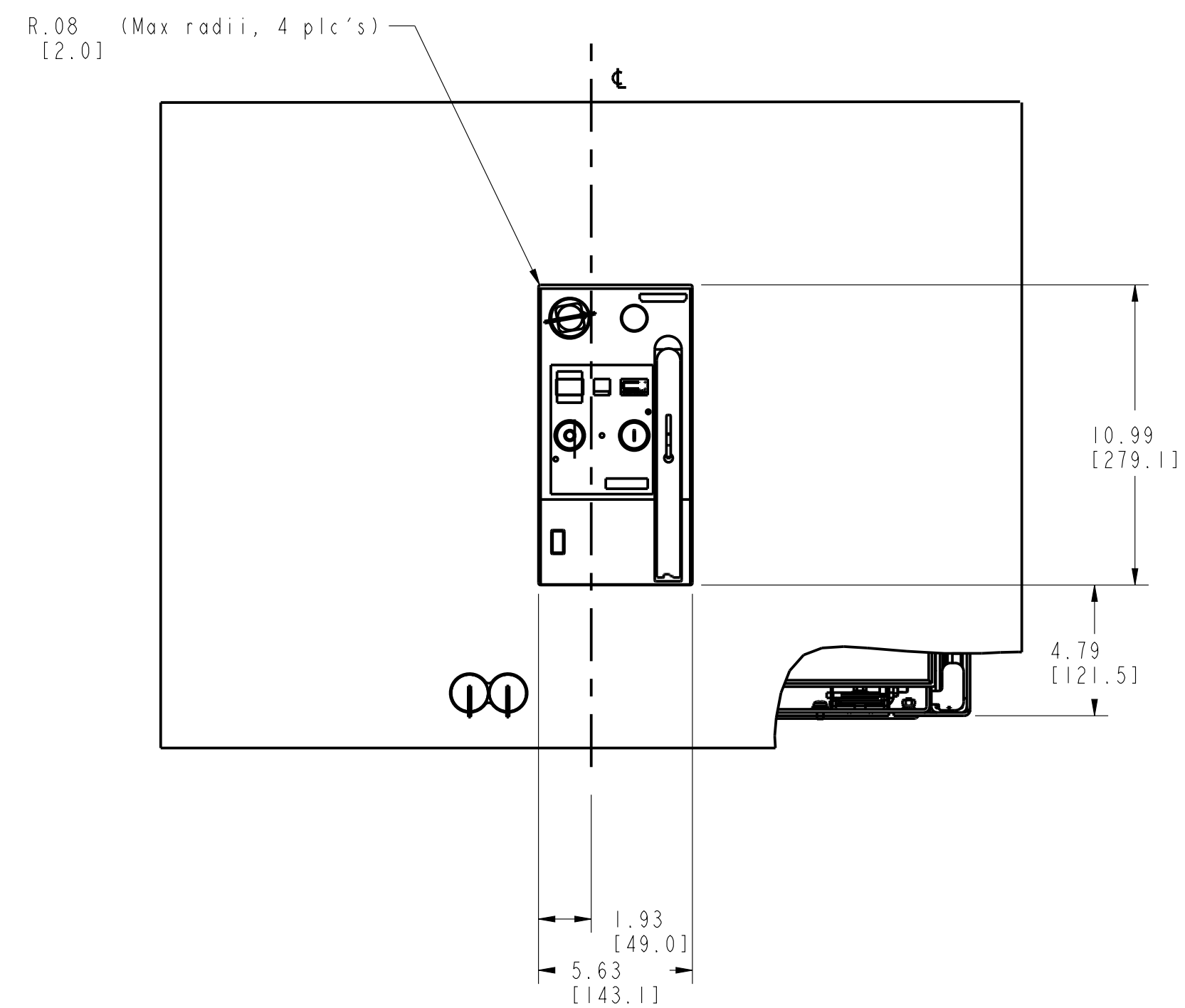
Door cut-out (with edge protector)
(Cut-out after mounting edge protector)



Door cut-out
(Middle escutcheon visible)

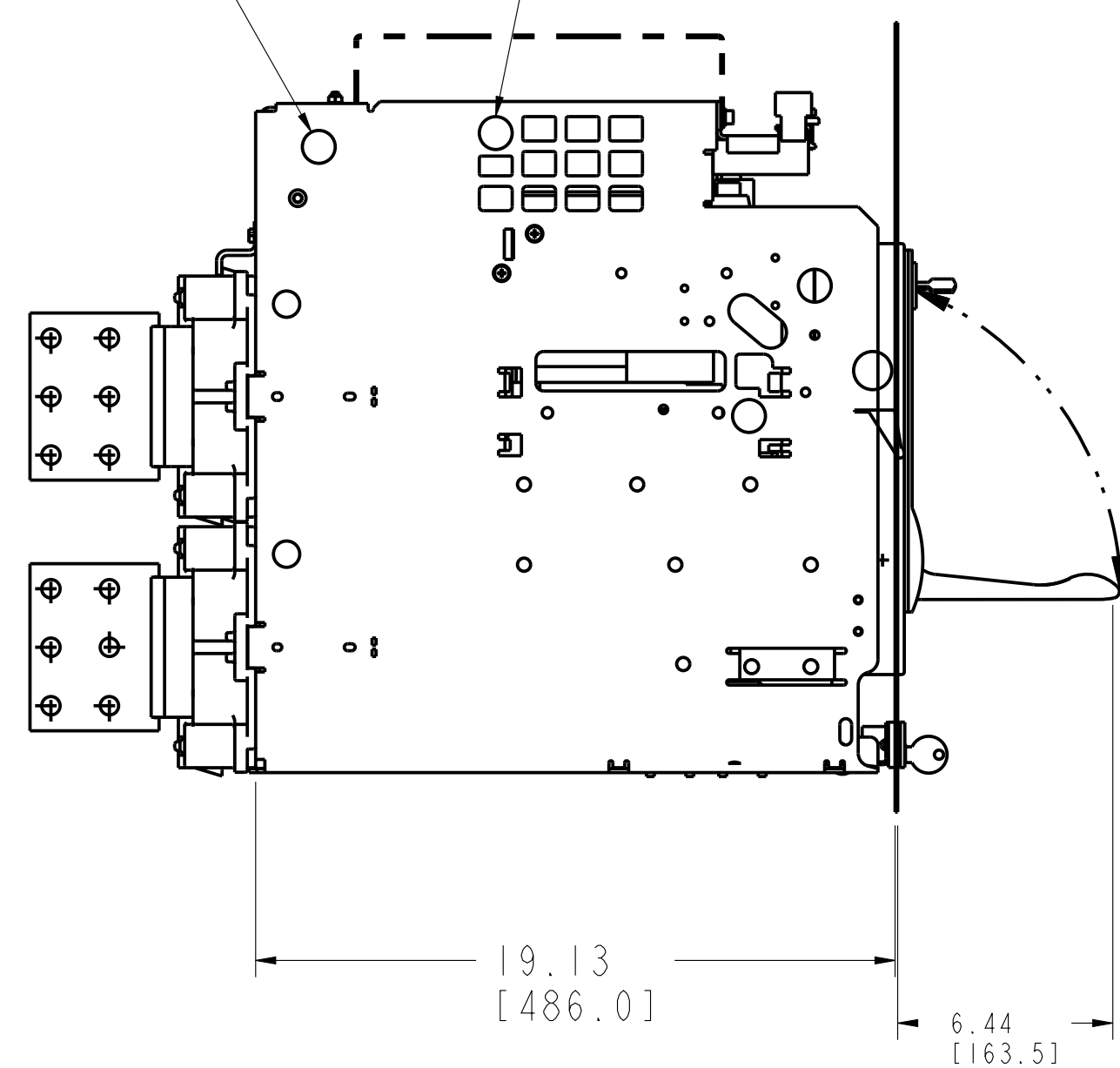


Minimal door cut-out
(Only center escutcheon visible)

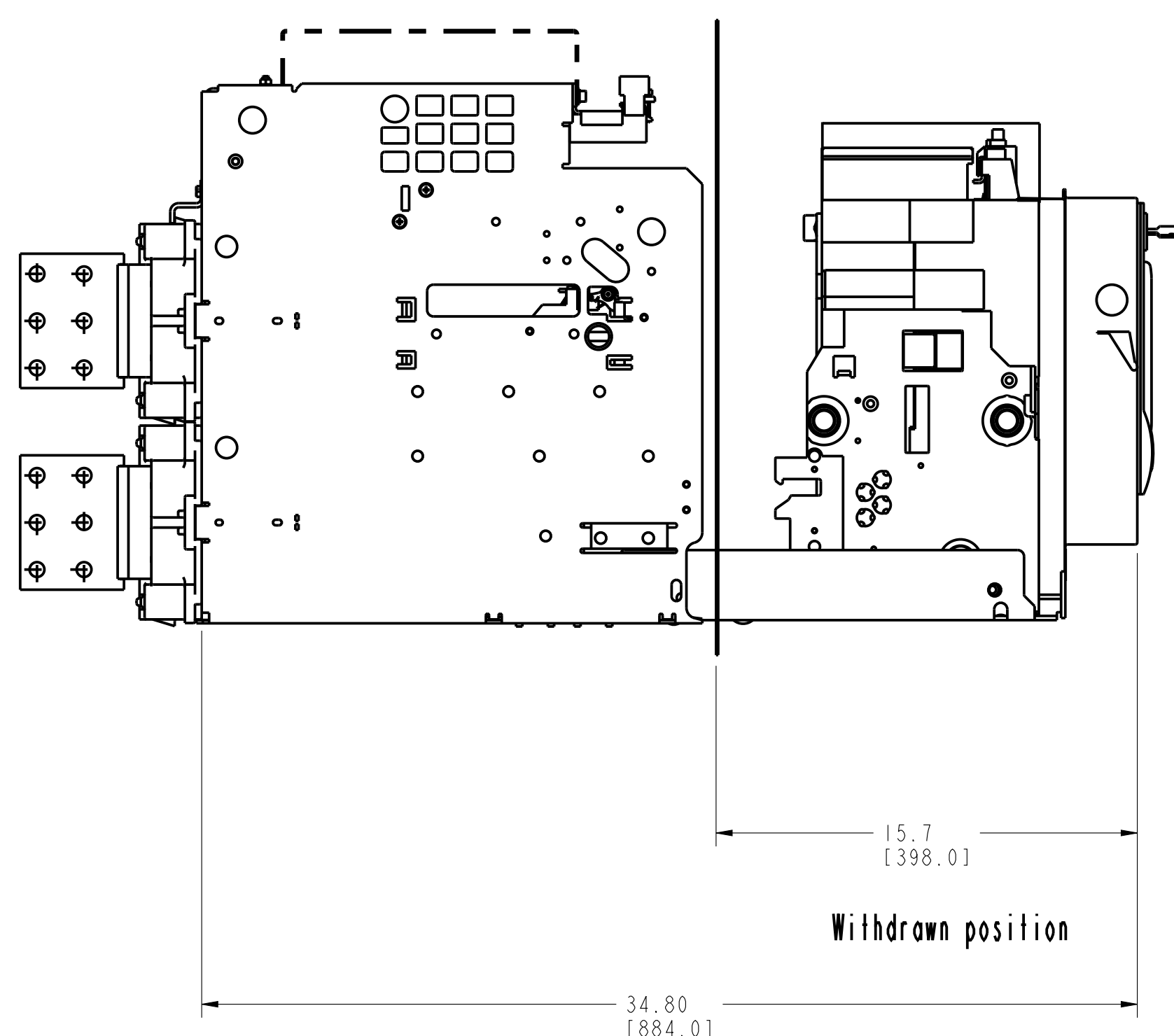


Lifting Point (Cradle only)
Do not lift by any other points.

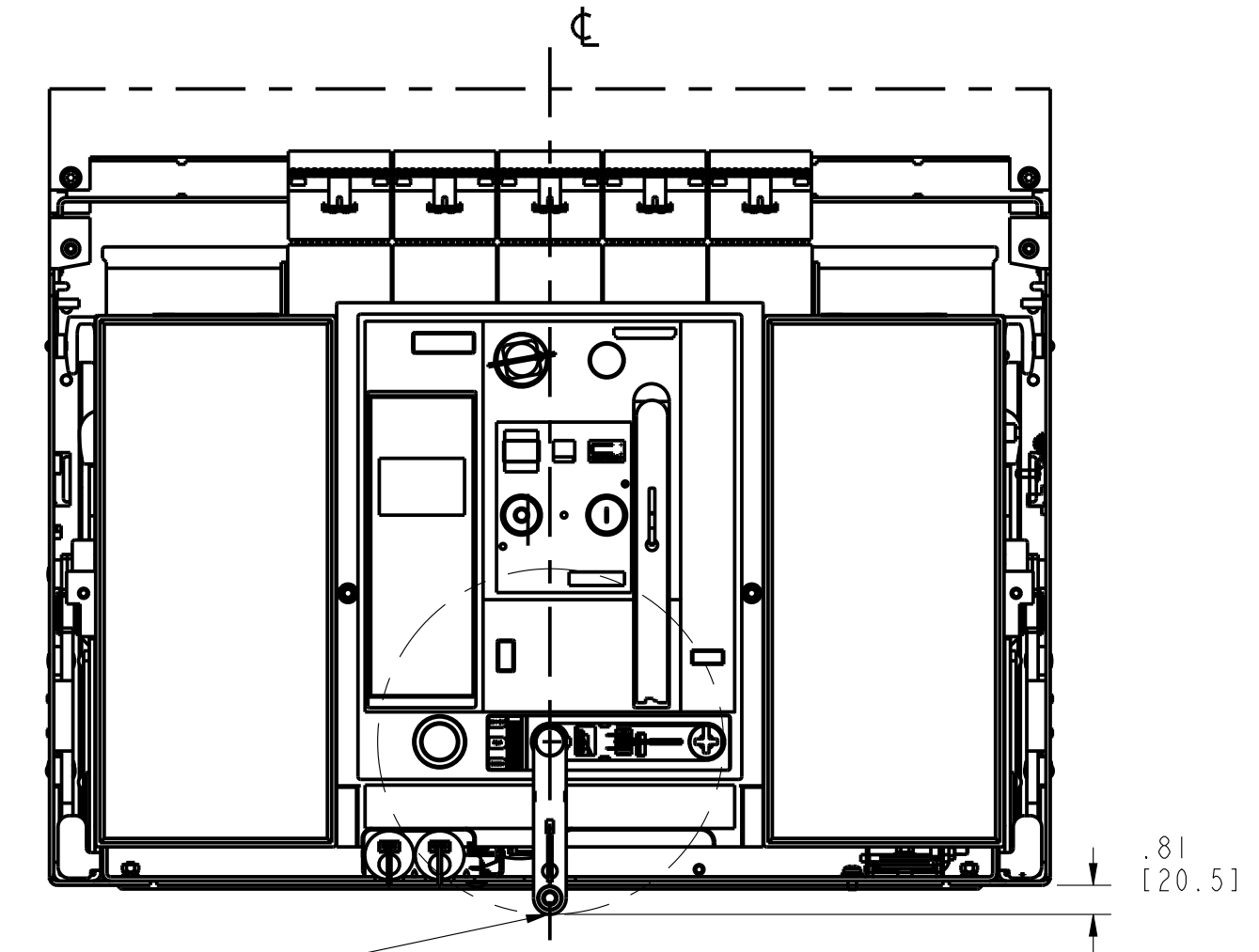
Lifting Point (Cradle and Breaker)
Do not lift by any other points.



Closed door racking



Withdrawn position



Minimum free space for breaker racking

814885	Drawing applicable for the following frames WLH3A440, WLH3A450, WLL3A440, WLL3A450, WLL3S440, WLL3S450		
PART OR IDENTIFYING NO.	MATERIAL/SPECIFICATION		
CONFIDENTIAL - PROPERTY OF Siemens Industry, Inc.			
Siemens Industry, Inc.			
UL 1066 FS3 Drawout 4P Classes H & L			
UNLESS OTHERWISE SPECIFIED DIMENSIONS ARE IN INCHES DO NOT SCALE DRAWING			
TOLERANCES: .X ± .01 .XXX ± .005 ANGULAR ± 1.00			
DWN M. Rodr	DATE 7-13-15	SIZE D	FSCM NO.
CHK K. Flowers	DATE 7-13-15	DWG NO.	814885
APVD S. Puppala	DATE 7-17-15	SCALE DRAWING SCALE	PROJ FILE 814885
		SHEET 2	OF 2