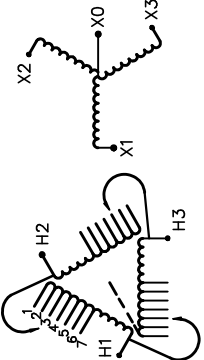




REVISION	DATE	BY	DATE	BY
			15/11/09	JW
1 ADDED ENCL BOTTOM DRAWING	17/04/03	JW		

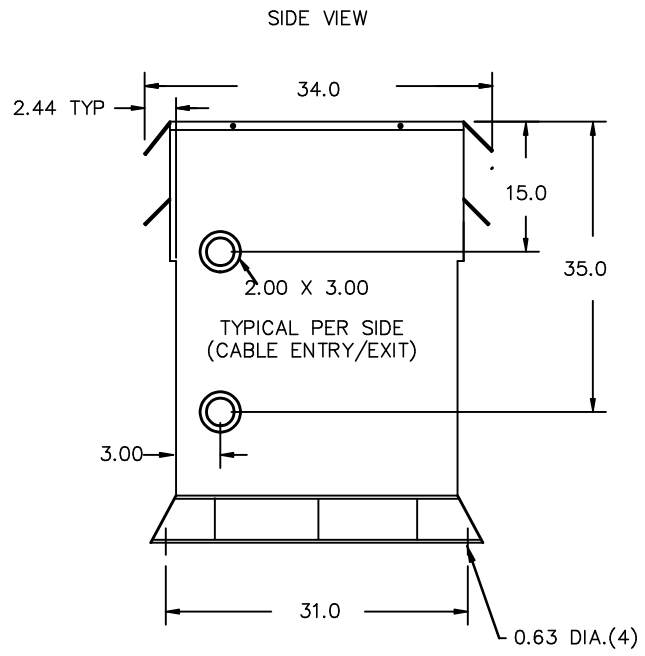
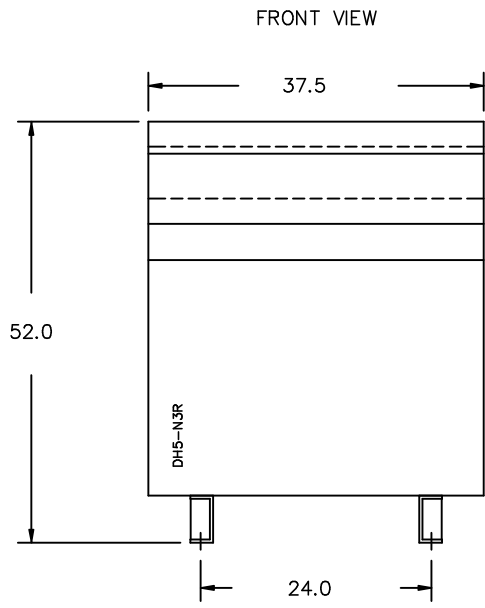
CUSTOMER		
ORDER NO.	DWG. NO.	1
	3F5Y150FD16	SH 1 OF 3

SIEMENS

CATALOG NO. 3F5Y150FD16 SERIAL NO. SERIES H 150 kVA 60 Hz 3 PHASE 3.1 % IMP AT 135 °C			
115 °C RISE 30 °C AVG. AMBIENT 220 °C TEMP CLASS 40 °C MAX. AMBIENT PRIMARY (H1 H2 H3) 480V V 10 kV BIL SECONDARY(X0 X1 X2 X3) 480Y/277V V 10 kV BIL		VOLTS CONNECT 504 492 480 468 456 444 432	
WINDING MATERIAL AL ENCLOSURE TYPE 3R WEIGHT 1450 LBS ENERGY EFFICIENCY EXCEEDS CSA C802.2-2012 DOE 10 CFR PART 431:2016		TYPE K DRY TYPE TRANSFORMER  	
SPACINGS BETWEEN ANY VENTILATED ENCLOSURE PANEL AND ANY ADJACENT WALL SHALL BE A MINIMUM OF 5 INCHES EXCEPT WHEN WALL MOUNTED USING APPROVED WALL MOUNTING KIT		LISTED SEISMIC QUALIFICATIONS, FLOOR MOUNT ONLY OSP-0136-10 IBC 2012/ASCE 7-10 SDS<=2.0g Z/h=1 Ip=1.5	
SUITABLE FOR INDOOR OR OUTDOOR LOCATIONS BEFORE HANDLING, INSTALLING AND OPERATING, SEE INSTRUCTION MANUAL NEMA Class ANN Dry Type Transformer		Siemens Industry, Inc. Norcross, GA <small>dsu0086e</small>	



3F5Y150FD16



All Dimensions in inches

ENCLOSURE COLOR :ANSI 61 GREY – OUTDOOR

H.V.1. TERMINAL DETAIL

L.V.1. TERMINAL DETAIL

MECHANICAL TYPE LUGS INCLUDED
SUITABLE FOR 350MCM-6 CU/AL
CONDUCTORS
2 CONDUCTORS PER PHASE

MECHANICAL TYPE LUGS INCLUDED
SUITABLE FOR 600MCM-2 CU/AL
CONDUCTORS
1 CONDUCTOR PER PHASE

CUSTOMER NOTES:

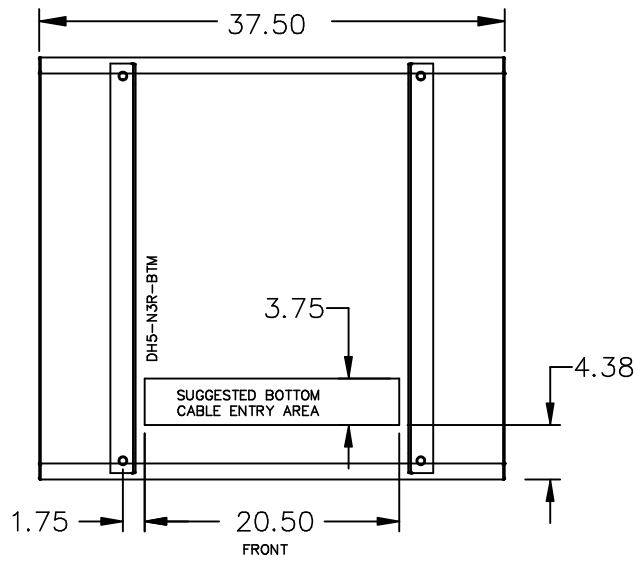
- HV1 TERMINATED AT TOP FRONT
- LV1 TERMINATED AT BOTTOM FRONT

Siemens Industry, Inc.

REVISION	DATE	BY	DATE	BY	CUSTOMER		
			15/11/09	JW			
			CHEK'D				
1	ADDED ENCL BOTTOM DRAWING	17/04/03	JW	VERIF'D			
					ORDER NO.	DWG. NO.	1
					3F5Y150FD16		SH 2 OF 3

1.1 jwen 2017/07/17 13:11

ENCLOSURE BOTTOM VIEW



NOTE:
 WHEN BOTTOM CABLE ENTRY IS OPTED, THE SPACE USED FOR CONDUITS IN THE FRONT OF THE TRANSFORMER SHOULD NOT OBSTRUCT MORE THAN 50% OF THE FRONT AIR INTAKE AREA DEFINED BETWEEN THE BOTTOM PLATE AND THE SUPPORTING LEGS. SEE MANUAL FOR ADDITIONAL INFORMATION

Siemens Industry, Inc.

REVISION	DATE	BY	DATE	BY	CUSTOMER		
			DRAWN 15/11/09	JW			
			CHEK'D				
1	ADDED ENCL BOTTOM DRAWING 17/04/03	JW	VERIF'D				
					ORDER NO.	DWG. NO.	1
					3F5Y150FD16		SH 3 OF 3