

Catalog Numbers and Ratings

Catalog No.	Amperage Rating	Maximum Interrupting Rating	Catalog No.	Amperage Rating	Maximum Interrupting Rating
1 PHASE, 3 WIRE, 120/240V AC MAX			3 PHASE, 4 WIRE, 240V AC MAX		
WB1200C	200	65,000	WB3200C	200	65,000
WB1200CU	200	100,000	WB3200CU	200	100,000
WB1250C	250	65,000	WB3250C	250	65,000
WB1250CU	250	100,000	WB3250CU	250	100,000
WB1300C	300	65,000	WB3300C	300	65,000
WB1300CU	300	100,000	WB3300CU	300	100,000
WB1350C	350	65,000	WB3350C	350	65,000
WB1350CU	350	100,000	WB3350CU	350	100,000
WB1400C	400	65,000	WB3400C	400	65,000
WB1400CU	400	100,000	WB3400CU	400	100,000

Replacement Parts, Accessories, and Additional Modules

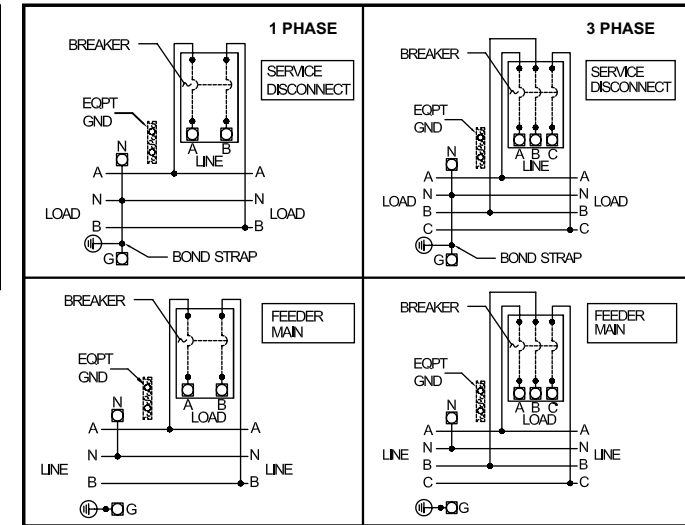
FOR USE WITH:		
Module Description	Siemens Series#	Murray Series#
Main Breakers	(W)MC, WB, WEB	DB W
Switches	WMP, WMS, WS, WES	DPT W, DT W
Tap/Terminal Boxes	WMTB, WTB, WET	DTB W
Pull Boxes	WMMB, WPB, WAPB	DPB W
Meter Module	WMM, WxMM, WMT, WML, WMK	DG W, DC W, DL W
Extension Box	WMEX, WSP	DS
Bussed Elbow	(W)BE	DL

Siemens Accessories	Catalog Number
Hub Cover Plate	EC56933S
Type HD Hub 2"	EC56854
Type HD Hub 2-1/2"	EC56855
Type HD Hub 3"	EC56856
Type HD Hub 3-1/2"	EC56857
Type HD Hub 4"	EC56858
GND Bar Kit	ECLX069M
Lug Landing Pad	LLP600 (lugs ordered separately) UNDERGROUND USE ONLY
Connect Modules Using	
QuickConnect	QC1 (1ph) or QC4 (3ph) 400-440 lb-in (35-36 ft.-lb.) Torque
Single Bolt Joint	SBJ1 (1ph) or SBJ4 (3ph) 400-480 lb-in (35-40 ft.-lb.) Torque

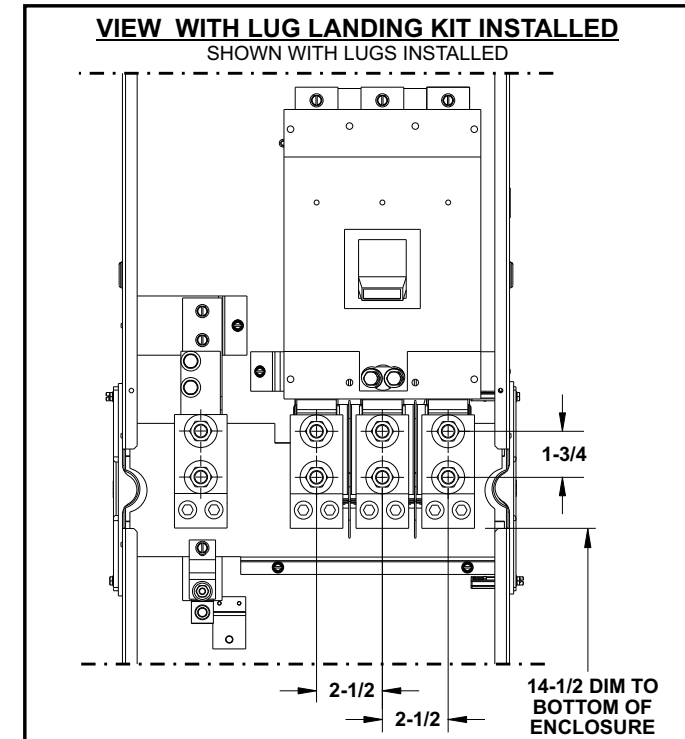
Breaker Lug Kits				
Lug Kit	MFG	Wire Range	No. Wires per phase	Torque (lb.-in.)
Single Phase Mechanical Lug Kits				
LK11750	Siemens	500-750 kcmil	1	500
LK12500*	Siemens	4/0-500 kcmil	2	300
Three Phase Mechanical Lug Kits				
LK31750	Siemens	500-750 kcmil	1	500
LK32500*	Siemens	3/0-500 kcmil CU 4/0-500 kcmil AL	2	300

* Factory Installed

Schematics



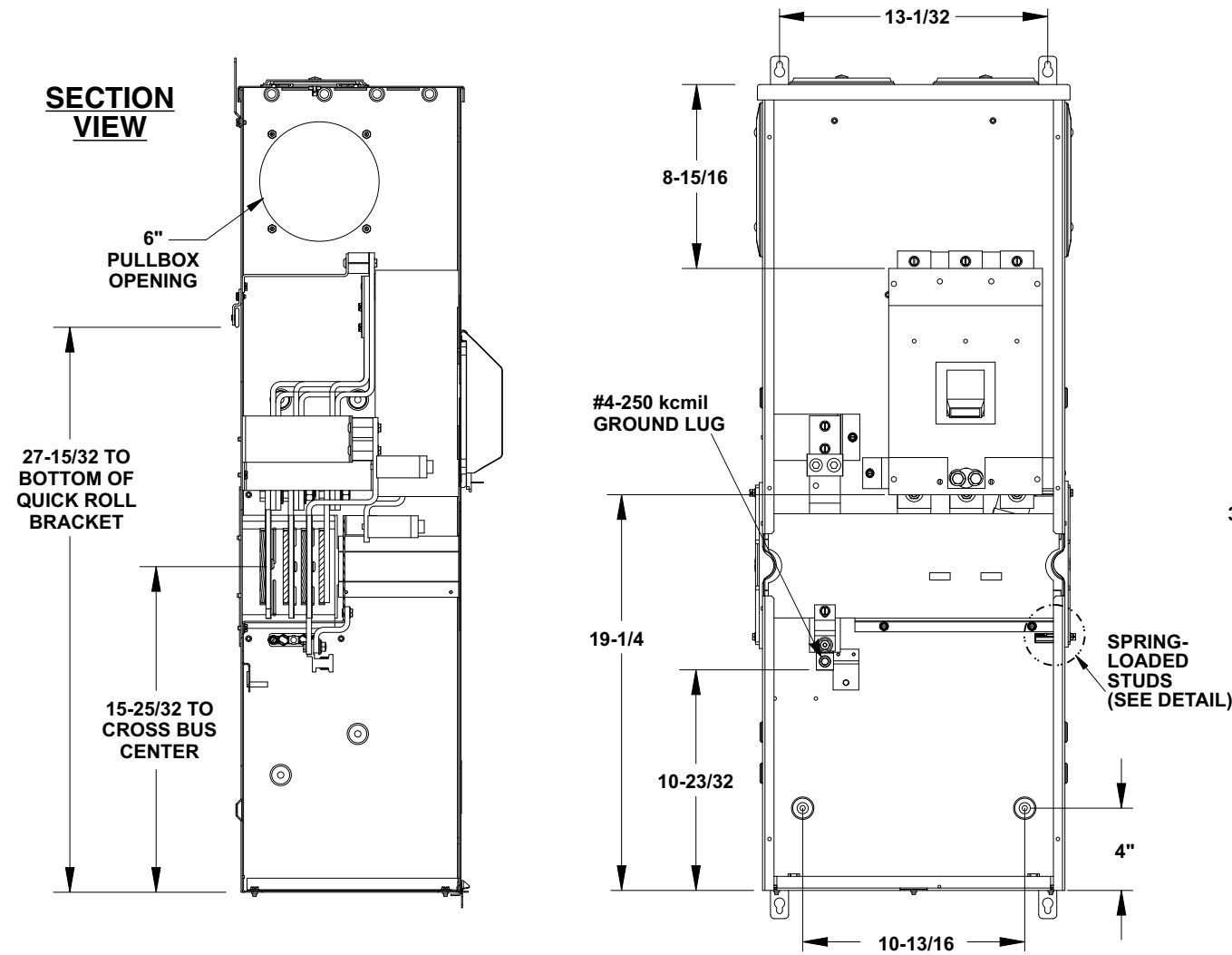
LLP600 Lug Landing Kit



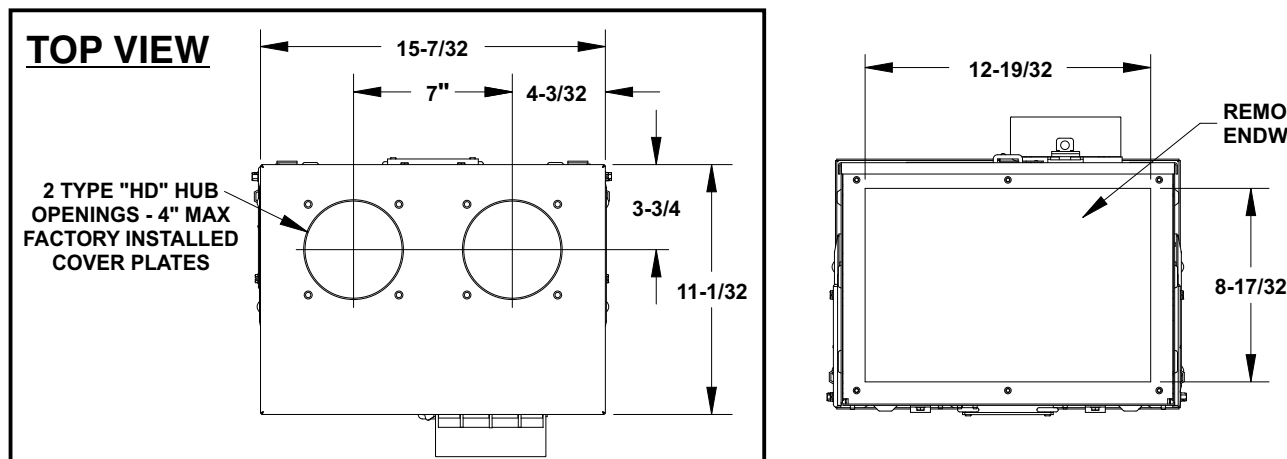
Lug Kits for LLP600 Phase and Neutral Connections

NEMA Lug	MFG	Wire Range	No. Wires per phase	Torque (lb.-in.)
Single Phase Mechanical Lug Kits				
LK11600N2	Siemens	#2-600 kcmil	1	375
LK12350N2	Siemens	#6-350 kcmil	2	275
Three Phase Mechanical Lug Kits				
LK31600N2	Siemens	#2-600 kcmil	1	375
LK32350N2	Siemens	#6-350 kcmil	2	275
Compression Lug Kits				
2ACL-600	IlSCO	600 kcmil	--	N/A
2ACL-350	IlSCO	350 kcmil	--	N/A

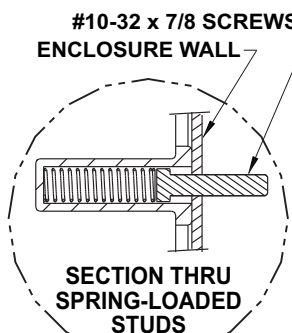
SECTION VIEW



TOP VIEW



WB3400C (3 Phase) SHOWN FRONT VIEW SHOWN WITHOUT COVER



Siemens Industry, Inc.
Building Technologies Division

PowerMod™ Breaker Mains

Catalog Numbers: **WB1200C thru WB3400CU**
Service Entrance Breaker Mains

Size B Dwg. No. **200-400A_SE_Brkr_Mains**