

REVISION	DATE	BY	DATE	BY
			16/03/21	RM
		CHEK'D		
		VERIF'D		

Confidential - Property of Siemens Industry, Inc.	
CUSTOMER	
ORDER NO.	DWG. NO.
	1D1Y075CTE
	SH 1 OF 2

SIEMENS

CATALOG NO. 1D1Y075CTE

SERIAL NO. SERIES H

75 kVA 60 Hz 1 PHASE

2.9 % IMP AT 170 °C

150 °C RISE 30 °C AVG. AMBIENT

220 °C TEMP CLASS 40 °C MAX. AMBIENT

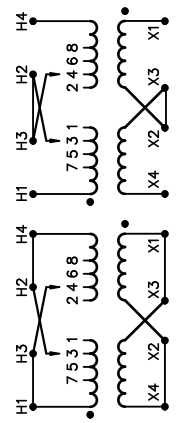
PRIMARY (H1 H3 H2 H4) 240X480V V

SECONDARY(X1 X3 X2 X4) 120/240V V

WINDING MATERIAL CU

ENCLOSURE TYPE 4

WEIGHT 825 LBS



HAM1006

VOLTS	INPUT LINE ON H1 & H4 CONNECT
504	H2-1, H3-2
492	H3-2, H2-3
480	H2-3, H3-4
468	H3-4, H2-5
456	H2-5, H3-6
444	H3-6, H2-7
432	H2-7, H3-8
252	H2-1, H3-2
240	H2-3, H3-4
228	H2-5, H3-6
216	H2-7, H3-8

CONNECT H2 TO H3 FOR SERIES PRIMARY

CONNECT H1 TO H3 AND H2 TO H4 FOR PARALLEL PRIMARY

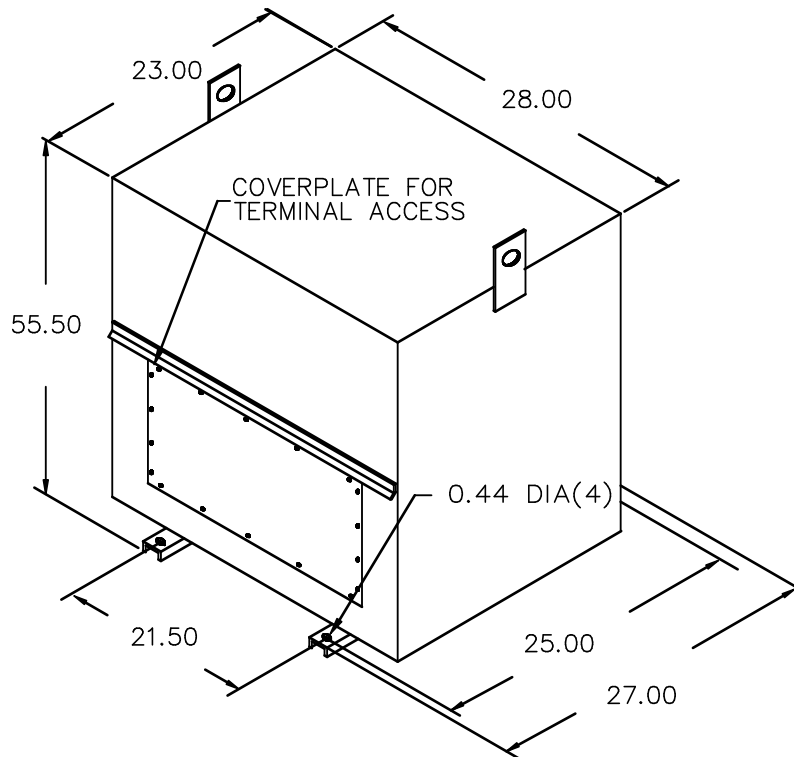
VOLTS	CONNECT	OUTPUT LINE
120	X1-X3, X2-X4	X1-X4
240	X2-X3	X1-X4
120/240	X2-X3	X1-X2-X4

SPACINGS BETWEEN ENCLOSURE PANEL AND ANY ADJACENT WALL SHALL BE A MINIMUM OF 5 INCHES EXCEPT WHEN WALL MOUNTED USING APPROVED WALL MOUNTING KIT

SUITABLE FOR INDOOR OR OUTDOOR LOCATIONS DO NOT INSTALL IN AREAS ACCESSIBLE TO PUBLIC OR PAS INSTALLER DANS DES ENDROITS ACCESSIBLES AU PUBLIC FOR INSTALLATION SEE INSTRUCTION MANUAL

NEMA Class ANC Dry Type Transformer Siemens Industry, Inc. Norcross, GA dsu0002e



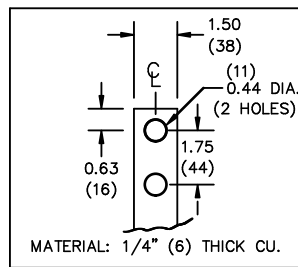
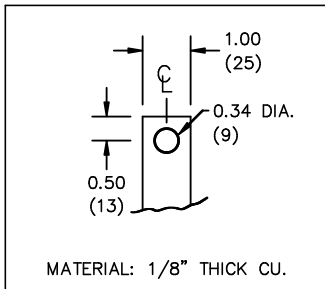


All Dimensions in inches

ENCLOSURE COLOR :ANSI 61 GREY – OUTDOOR

H.V.1. TERMINAL DETAIL

L.V.1. TERMINAL DETAIL



CUSTOMER NOTES:

- HV1 TERMINATED AT TOP FRONT
- LV1 TERMINATED AT BOTTOM FRONT
- C/W STAINLESS STEEL NAMEPLATE

Confidential – Property of
Siemens Industry, Inc.

REVISION	DATE	BY	DATE	BY
		DRAWN	16/03/21	RM
		CHEK'D		
		VERIF'D		

CUSTOMER	
ORDER NO.	DWG. NO. 1D1Y075CTE
SH 2 OF 2	