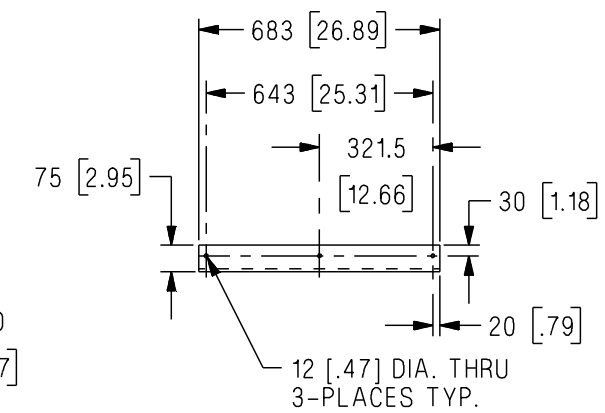


DETAIL "A"



BOX FEET DIMENSIONS

| Shaft Dimensions in Millimeters [Inches] | | |
|--|-----------|-----------|
| SHAFT DIA | TOLERANCE | |
| 180 [7.09] | +0.033 | [+0.0013] |
| | +0.015 | [+0.0006] |
| 220 [8.66] | +0.037 | [+0.0015] |
| 240 [9.45] | +0.017 | [+0.0007] |

| Lubrication Per Bearing | | |
|--------------------------|--------------------------|--------------------------|
| 2 Pole | 4 Pole | 6 Pole & Slower |
| 90-110 SUS @ 100°F | 140-160 SUS @ 100°F | 200-250 SUS @ 100°F |
| 10L [10.57 qt.] capacity | 10L [10.57 qt.] capacity | 23L [24.30 qt.] capacity |

- Notes:**
- The conduit box is free standing and must be supported from below by the customer. A removable bottom plate is supplied on the conduit box.
 - L (C) = Length of motor from drive end of shaft to end of non-drive end of motor.
 - V = (N-W)-6 mm [0.23 in.] = length of shaft available for coupling.
 - Machines operate in one direction only.
 - Shims may be necessary under motor feet for direct connection.
 - The standard shaft seal is a rotating labyrinth seal rated at IP55.
 - The dimensions are valid with or without shaft proximity probes. A Keyphasor will increase dimension L (C) by approximately 60 mm [2.36 in.].
 - When adding a ground brush, consult the factory as C (BA) and L (C) will increase.
 - Rotor end float = 7 mm [0.28 in.]
 - Approx. ship weight is based on standard aluminum cooling tubes.

| Standard Dimensions in Millimeters [Inches] / IEC Designations (NEMA Designations in Parentheses) | | | | | | | | | | | | | | |
|---|--------------|--------------|---------------|-------------------|----------------------|-------------|------------------|------------|-----------|------------|--------------|--------------|---------------|---------------------------|
| IEC Designation | A | B | BB | C _s | L _{2,7,8} | E | - | G | F | D | - | SS | LE | Approx. Max Wt. kgs [lbs] |
| NEMA Designation | (2E) | (2F) | (B) | (BA) _s | (C) _{2,7,8} | (N-W) | (V) _s | (R) | (S) | (U) | (ES) | (Key Height) | (Top Cover) | |
| SH710/712 2 Pole | 1500 [59.06] | 2000 [78.74] | 2510 [98.82] | 600 [23.62] | 4043 [159.2] | 240 [9.45] | 234 [9.21] | 165 [6.50] | 45 [1.77] | 180 [7.09] | 197.5 [7.78] | 25 [.98] | 3561 [140.20] | 20,100 [44,313] |
| SH710/712 4 Pole | 1500 [59.06] | 2000 [78.74] | 2510 [98.82] | 530 [20.87] | 4013 [158.0] | 280 [11.02] | 274 [10.78] | 203 [7.99] | 50 [1.97] | 220 [8.66] | 230 [9.06] | 28 [1.10] | 3561 [140.20] | 21,900 [48,281] |
| SH710/712 6 Pole + | 1500 [59.06] | 2000 [78.74] | 2510 [98.82] | 670 [26.38] | 4203 [165.5] | 330 [12.99] | 324 [12.75] | 220 [8.66] | 56 [2.20] | 240 [9.45] | 277 [10.91] | 32 [1.26] | 3561 [140.20] | 22,100 [48,722] |
| SH714/716 2 Pole | 1500 [59.06] | 2240 [88.19] | 2750 [108.27] | 600 [23.62] | 4163 [163.90] | 240 [9.45] | 234 [9.21] | 165 [6.50] | 45 [1.77] | 180 [7.09] | 197.5 [7.78] | 25 [.98] | 3801 [149.65] | 22,400 [49,383] |
| SH714/716 4 Pole | 1500 [59.06] | 2240 [88.19] | 2750 [108.27] | 530 [20.87] | 4133 [162.72] | 280 [11.02] | 274 [10.78] | 203 [7.99] | 50 [1.97] | 220 [8.66] | 230 [9.06] | 28 [1.10] | 3801 [149.65] | 24,300 [53,572] |
| SH714/716 6 Pole + | 1500 [59.06] | 2240 [88.19] | 2750 [108.27] | 670 [26.38] | 4323 [170.20] | 330 [12.99] | 324 [12.75] | 220 [8.66] | 56 [2.20] | 240 [9.45] | 277 [10.91] | 32 [1.26] | 3801 [149.65] | 24,900 [54,895] |

Certification: Customer _____ P.O. _____ S.O. _____ Item _____
 HP _____ RPM _____ Frame _____ PH/HZ/Volts 3/ _____ / _____ Terminal Box Size: 1XF5
 Customer Tag # _____ By _____ Date _____
 Comments _____
 Not for construction, installation or application purposes unless certified.