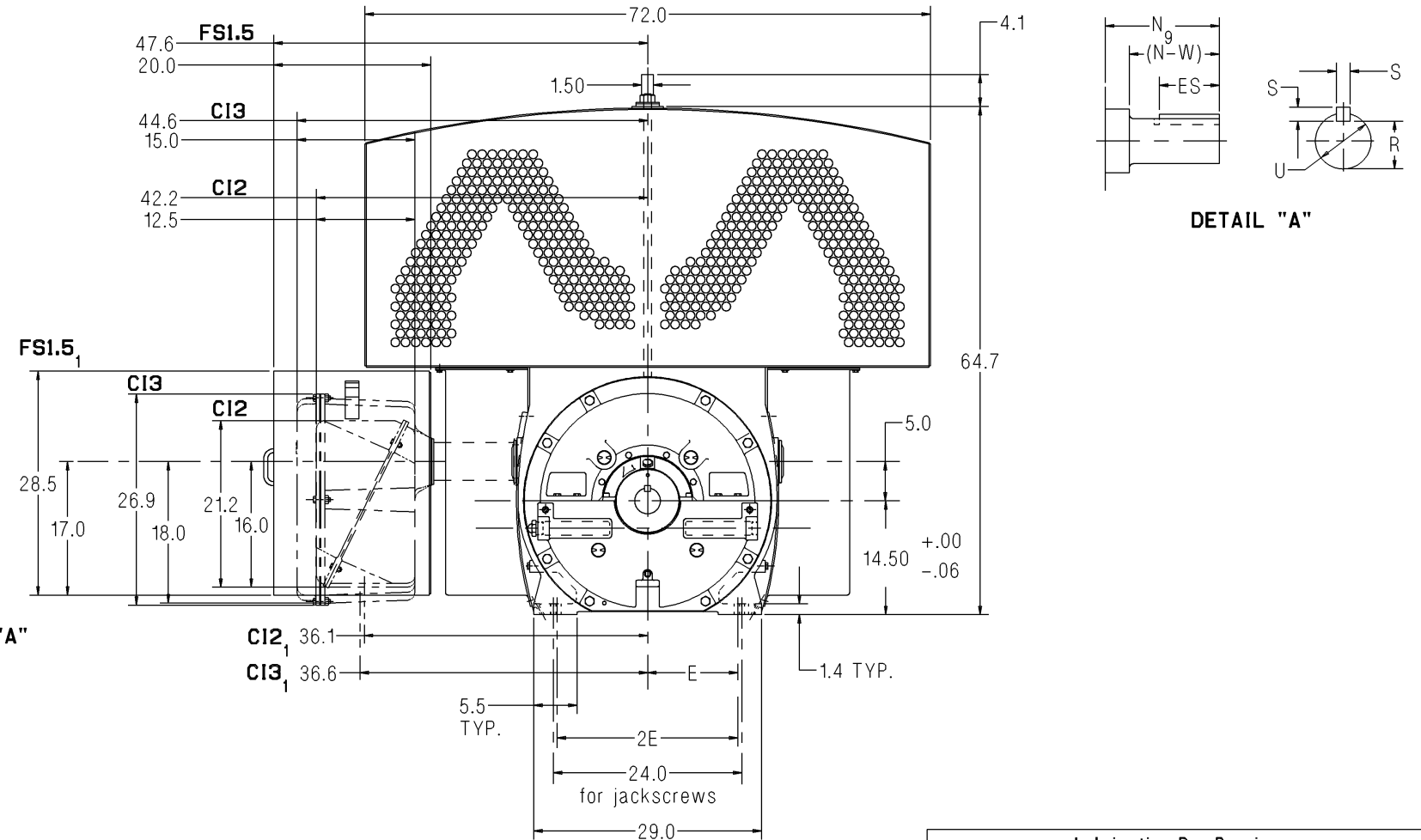
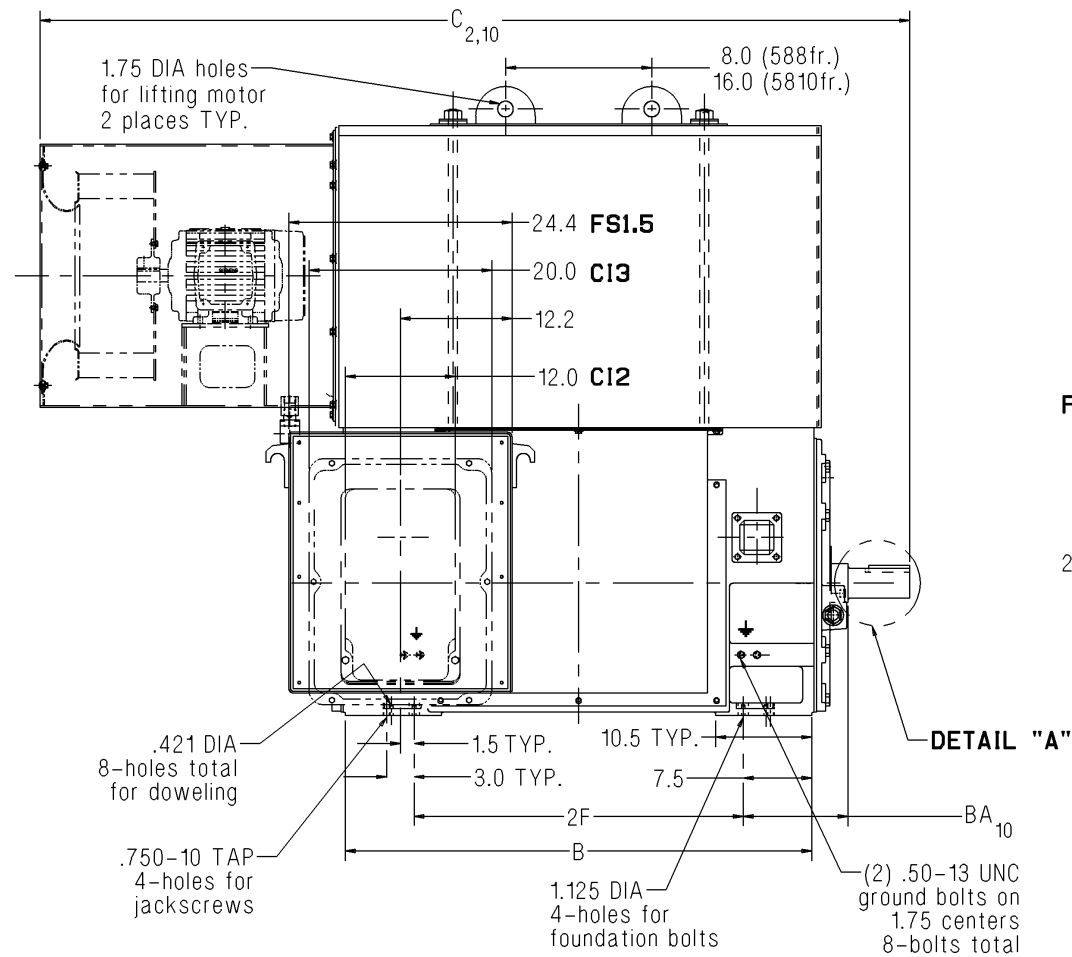


# SIEMENS

## Type CAZB - Horizontal - TEAAC with Auxiliary Blower Sleeve Bearing - Direct Connected Frames 588 / 5810 - Rotatable Main Conduit Box

### Dimension Prints for Above NEMA Motors



#### Notes:

- Main conduit box may be rotated in steps of 90° except in the 180° position. A removable bottom plate is supplied on the FS1.5 conduit box. A 5.0 N.P.T. is supplied on the CI2 and CI3 conduit boxes. A 10.75" spacer is supplied on both frames for all rotatable conduit boxes.
- C = Length of motor from drive end of shaft to end of auxiliary blower.
- $V = (N-W) - 0.25$  = length of shaft available for coupling.
- 2 Pole machines rotate in one direction only.
- Shims may be necessary under motor feet for direct connection.
- Approximate ship weight is based on standard aluminum cooling tubes.
- Rotor end float = 0.5"
- End float of LEF coupling = 0.19"
- Adding a rotating labyrinth seal to the drive end decreases N by:  
2 Pole: 0.28" 4 Pole & Slower: 0.28"
- When adding a ground brush, consult the factory. (BA and C will increase.)
- For motors equipped with provisions for proximity probes use this print for our standard internal mounting.

Lubrication Per Bearing	
2 Pole	4 Pole & Slower
140-160 SUS @ 100°F	290-350 SUS @ 100°F
3.5 qt. capacity	3.5 qt. capacity

#### Standard Dimensions in Inches

Shaft	Frame	Speed	B	BA <sub>10</sub>	C <sub>2,10</sub>	E	2F	N <sub>9</sub>	(N-W)	R	S	U	V <sub>3</sub>	ES	Approx. Ship Wt. (Lbs) <sub>6</sub>
Short	588S	2 Pole	43.0	10.00	85.5	11.50	28.0	7.13	6.75	2.880	0.875	3.375	6.50	5.0	7100
Short	588S	4 Pole & Slower	43.0	10.00	86.8	11.50	28.0	8.38	8.00	3.436	1.000	4.000	7.75	6.0	7300
Short	5810S	2 Pole	51.0	10.00	93.5	11.50	36.0	7.13	6.75	2.880	0.875	3.375	6.50	5.0	8500
Short	5810S	4 Pole & Slower	51.0	10.00	94.8	11.50	36.0	8.38	8.00	3.436	1.000	4.000	7.75	6.0	8700

Certification: Customer \_\_\_\_\_ P.O. \_\_\_\_\_ S.O. \_\_\_\_\_ Item \_\_\_\_\_  
 HP \_\_\_\_\_ RPM \_\_\_\_\_ Frame \_\_\_\_\_ PH/HZ/Volts 3/\_\_\_\_\_/\_\_\_\_\_  
 By \_\_\_\_\_ Date \_\_\_\_\_ Terminal Box Size CI2  CI3  FS1.5   
 Comments \_\_\_\_\_  
 Not for construction, installation or application purposes unless certified.

CAZB\_580\_2plusPL\_SLV\_ROT  
Revision 01  
01/27/09