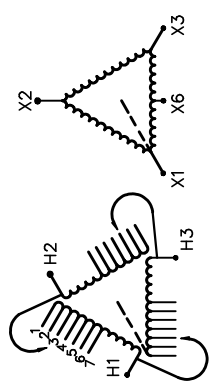



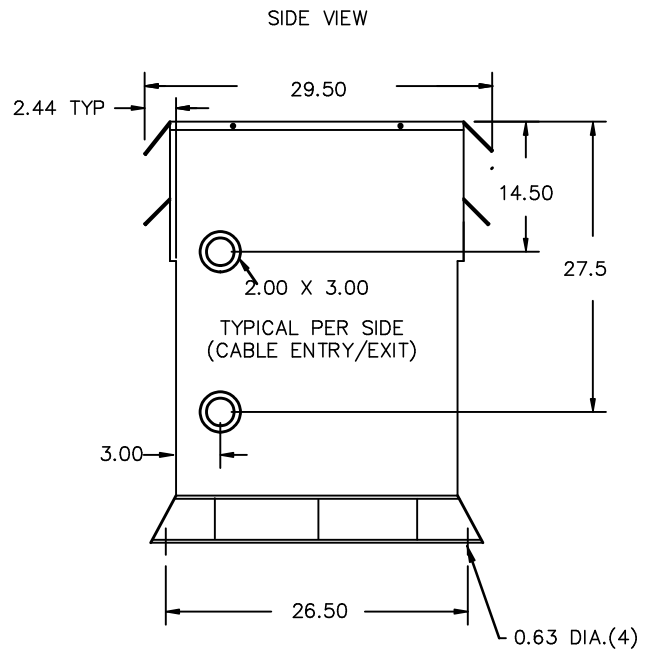
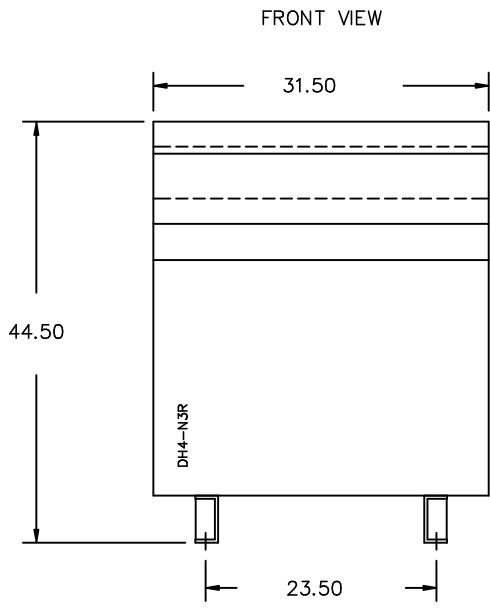
REVISION	DATE	BY	DATE	BY
			15/11/09	JW
1 ADDED ENCL BOTTOM DRAWING	17/04/03	JW		

Siemens Industry, Inc.		
CUSTOMER		
ORDER NO.	DWG. NO.	1
	3F1Y112FD16	SH 1 OF 3

SIEMENS

<p>CATALOG NO. 3F1Y112FD16 SERIAL NO. 112.5 kVA 60 Hz 3 PHASE 3.0 % IMP AT 135 °C</p>	<p>SERIES H 30 °C AVG. AMBIENT 40 °C MAX. AMBIENT</p> <p>PRIMARY (H1 H2 H3) 480V V 10 kV BIL SECONDARY(X1 X2 X3) 240V V 10 kV BIL</p>	 <p>VOLTS CONNECT 1 2 3 4 5 6 7 504 492 480 468 456 444 432</p>
<p>WINDING MATERIAL AL ENCLOSURE TYPE 3R WEIGHT 905 LBS ENERGY EFFICIENCY EXCEEDS CSA C802.2-2012 DOE 10 CFR PART 431:2016</p>		 <p>LISTED DRY TYPE TRANSFORMER E112313 TYPE K</p>
<p>SPACINGS BETWEEN ANY VENTILATED ENCLOSURE PANEL AND ANY ADJACENT WALL SHALL BE A MINIMUM OF 5 INCHES EXCEPT WHEN WALL MOUNTED USING APPROVED WALL MOUNTING KIT X6=120V CT, 5% OF KVA RATING MAXIMUM</p> <p>SUITABLE FOR INDOOR OR OUTDOOR LOCATIONS BEFORE HANDLING, INSTALLING AND OPERATING, SEE INSTRUCTION MANUAL</p> <p>NEMA Class ANN Dry Type Transformer Siemens Industry, Inc. Norcross, GA dsu0086e</p>		





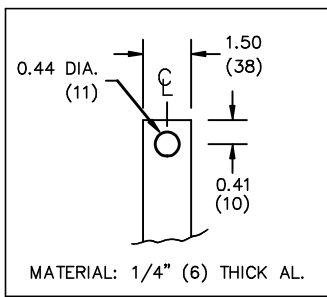
All Dimensions in inches

ENCLOSURE COLOR :ANSI 61 GREY – OUTDOOR

H.V.1. TERMINAL DETAIL

L.V.1. TERMINAL DETAIL

MECHANICAL TYPE LUGS INCLUDED
SUITABLE FOR 350MCM-6 CU/AL
CONDUCTORS
1 CONDUCTOR PER PHASE



CUSTOMER NOTES:

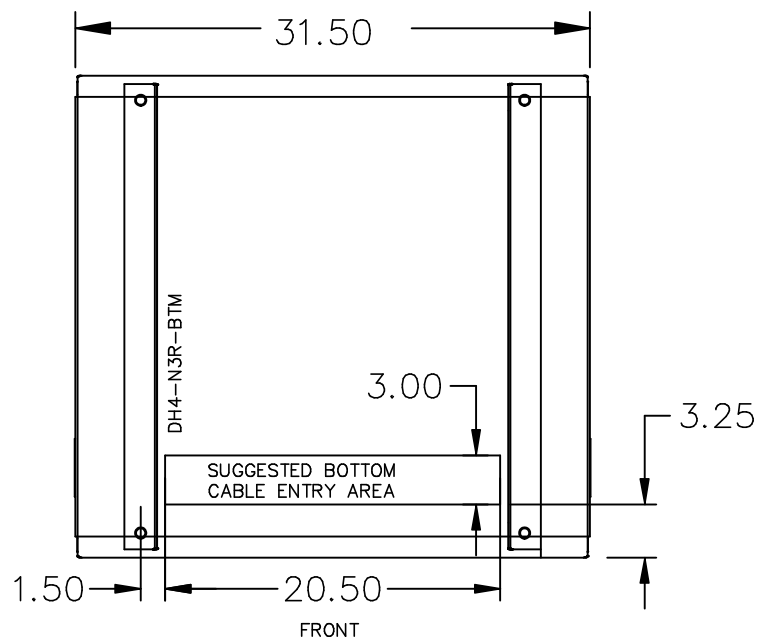
- HV1 TERMINATED AT TOP FRONT
- LV1 TERMINATED AT BOTTOM FRONT

Siemens Industry, Inc.

REVISION	DATE	BY	DATE	BY	CUSTOMER		
			15/11/09	JW			
1 ADDED ENCL BOTTOM DRAWING	17/04/03	JW					
					ORDER NO.	DWG. NO.	1
					3F1Y112FD16		SH 2 OF 3

1.1 jwen 2017/07/17 13:07

ENCLOSURE BOTTOM VIEW



NOTE:
 WHEN BOTTOM CABLE ENTRY IS OPTED, THE SPACE USED FOR CONDUITS IN THE FRONT OF THE TRANSFORMER SHOULD NOT OBSTRUCT MORE THAN 50% OF THE FRONT AIR INTAKE AREA DEFINED BETWEEN THE BOTTOM PLATE AND THE SUPPORTING LEGS.
 SEE MANUAL FOR ADDITIONAL INFORMATION

Siemens Industry, Inc.

REVISION	DATE	BY	DATE	BY	CUSTOMER
			DRAWN 15/11/09	JW	
			CHEK'D		
1 ADDED ENCL BOTTOM DRAWING	17/04/03	JW	VERIF'D		ORDER NO. DWG. NO. 3F1Y112FD16 1 SH 3 OF 3

1.1 jwen 2017/07/17 13:07