

# Introducing Type 316 Stainless Steel VBII Safety Switches



## Application

316 grade stainless steel provides an increased level of corrosion resistance when compared to standard 304 grade stainless, especially in atmospheres containing a high level of chlorine and other chemicals commonly encountered in marine, waste management, food & beverage, petrochemical, and mining applications.

## Features

- Available in 30-200A ratings and in both fusible and non-fusible versions
  - Type 4/4X rated and suitable for both indoor and outdoor applications
  - Unique, installer friendly enclosure design features a rolled out front flange that provides a superior level of protection against the entry of contaminants
  - Tool free cover latches
  - Ground bar supplied as standard
  - Two, three and four point mounting is provided
  - Metal handle with large plastic grip features a positive stop in both ON and OFF positions
- Optional viewing window is available which allows viewing of the visible blades and also of indicating type fuses on fusible versions.
  - Stainless steel interior parts including the operating mechanism are provided as standard
  - All switches are UL listed under file number E4776
  - A wide range of accessories are available including 200% neutrals, gold plated PLC auxiliary contacts and isolated ground kits



## Heavy duty safety switches

## Type 4/4X safety switches in 316 grade stainless steel enclosures – Ordering information and dimensions

Ampere Rating	Catalog Number	Ship Weight (lbs.) and Stock or NS	HP Ratings 3 Phase AC Max. (with time delay fuses)			DC HP Rating		Dimensions-Inches (Box)		
			240V	480V	600V	250V DC	600V DC	Height A	Width B	Depth C
<b>240V AC, 250V DC Fusible 3 Pole, 3 Wire (with ground bar)</b>										
30	HF321SS	15 (NS)	7/1/2	---	---	5	---	14.27	6.65	5.32
60	HF322SS	19 (NS)	15	---	---	10	---	16.27	9.17	5.32
100	HF323SS	27 (NS)	30	---	---	20	---	21.96	9.65	5.34
200	HF324SS	48 (NS)	60	---	---	40	---	29.96	14.62	6.63
<b>600V AC, 250V DC Fusible 3 Pole, 3 Wire (with ground bar)</b>										
30	HF361SS	17 (S)	7/1/2	15	20	5	---	14.27	6.65	5.32
60	HF362SS	21 (S)	15	30	50	10	30*	16.27	9.17	5.32
100	HF363SS	28 (S)	30	60	75	20	50*	21.96	9.65	5.34
200	HF364SS	54 (S)	60	125	150	40	50	29.96	14.62	6.63
<b>600V AC, 250V DC Non-Fusible 3 Pole, 3 Wire (with ground bar)**</b>										
30	HNF361SS	15 (S)	10	20	30	5	---	11.22	6.65	5.32
60	HNF362SS	21 (S)	20	50	60	10	30*	16.27	9.17	5.32
100	HNF363SS	26 (S)	40	75	100	20	50*	21.96	9.65	5.34
200	HNF364SS	51 (S)	60	125	150	40	50	29.96	14.62	6.63
<b>600V AC, 250V DC Fusible 3 Pole, 3 Wire (with Viewing Window and Ground Bar)</b>										
30	HF316SSW	17 (S)	7/1/2	15	20	5	---	14.27	6.65	5.32
60	HF362SSW	21 (NS)	15	30	50	10	30*	16.27	9.17	5.32
100	HF363SSW	28 (NS)	30	60	75	20	50*	21.96	9.65	5.34
200	HF364SSW	54 (NS)	60	125	150	40	50	29.96	14.62	6.63
<b>600V AC, 250V DC Non-Fusible 3 Pole Wire (with Viewing Window and Ground Bar)**</b>										
30	HNF361SSW	15 (S)	10	20	30	5	---	11.22	6.65	5.32
60	HNF362SSW	21 (NS)	20	50	60	10	30*	16.27	9.17	5.32
100	HNF363SSW	26 (NS)	40	75	100	20	50*	21.96	9.65	5.34
200	HNF364SSW	51 (NS)	60	125	150	40	50	29.96	14.62	6.63

\* 600V DC voltage and horsepower ratings require 2 poles to be connected in series.

\*\* Also used for 2 pole and for 240V applications

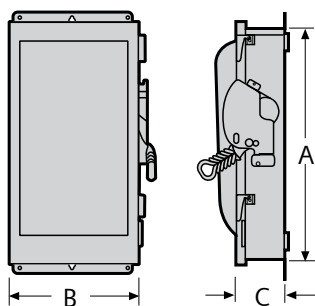
### Lug wire ranges -Line, load and neutral

30-100A switches are suitable for use with 60° or 75°C wire.

200A switches are suitable for use with 75°C rated wire.

Switch Ampere Rating	Wire Range with Wire Bending Space per NEC Table 373-6
30	#14-6 AWG (Cu/Al)
60	#14-2 AWG (Cu/Al)
100	#14-1/0 AWG (Cu/Al)
200	#6 AWG-300 Kcmil (Cu/Al)

### Type 4/4x 30-200A



Siemens Industry, Inc.  
3333 Old Milton Parkway  
Alpharetta, GA 30005

info.us@siemens.com  
1-800-964-4114

©2010 Siemens Industry, Inc.  
All rights reserved. Siemens is a registered trademark of Siemens AG. Product names mentioned may be trademarks or registered trademarks of their respective companies. Specifications are subject to change without notice.

Order No. SSFL-00316-0210  
Printed in USA

[www.usa.siemens.com/switches](http://www.usa.siemens.com/switches)