

SIEMENS

Indoor/Outdoor Service Entrance Module

Catalog Number

WS3800CU

Enclosure

Type 3R

Module Rating:

800 Amps, Max; See fuse for actual rating.
208Y/120 Volts~, 60 HZ, 3 Phase, 4 Wire
240/120 Volts~, 60 HZ, 3 Phase, 4 Wire, Delta (B Phase is High Leg)

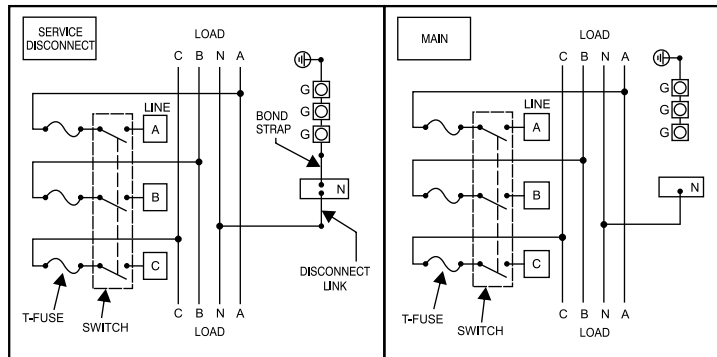
For installation by Qualified Person in accordance with all local electrical codes and/or the National Electrical Code ®.

Suitable Only For Use As Service Equipment unless bond strap is removed. See schematic. Apply appropriate label provided next to switch handle.

Enclosure may be oriented for Overhead or Underground Service.

Use 75°C Copper or Aluminum Conductors.

Connect Modules Using: **Cat. No.** **Torque**
Quick Connect QC4 400-440 lb-in (35-36 ft.-lb.)



See adjacent label for additional marking information.

49311261

Siemens Industry, Inc. Norcross, Georgia U.S.A.

D

409000531011 Rev.00

© The National Electrical Code is a registered trademark of the National Fire Protection Association.
© 2018 Copyright Siemens Industry, Inc.

SIEMENS

If cover interlock is defeated, it will be necessary for cover interlock plate to be positioned over opening and retightened.

This device has a maximum short circuit current rating of 100,000 amps RMS symmetrical at 240 Volts~. Use Class T (300V) fuses only. Continuous load current not to exceed 80% of the rating of the fuses in other than motor circuits.

Lugs for Phase and Neutral Connections (not supplied)					
NEMA Lug ^①	MFG	Wire Range	Type	No. Wires per phase	Torque (lb.-in.)
LK32750N2	Siemens	300-750 kcmil	Mechanical	2	500
LK32600N2	Siemens	#2-600 kcmil	Mechanical	2	375
LK33500N2	Siemens	1/0-500 kcmil	Mechanical	3	500 ②
2ACL-500	ILSCO	500 kcmil	Compression	3	NA ③
2ACL-600	ILSCO	600 kcmil	Compression	2	NA ③
2ACL-750	ILSCO	750 kcmil	Compression	2	NA ③

- ① Order one mechanical lug kit for main breaker and neutral conversions. Contact lug manufacturer for compression lug quantities supplied for each kit.
② Kit contains more than one lug type.
③ See lug manufacturer's instruction sheet supplied with the connector for tool, die, and number of crimps.

Ground terminal G:
Wire size #4-300 kcmil
Torque terminal to 250 lb.-in.

Torque fuse mounting hardware to 225 lb.-in.

Use HD Type Hubs if required	
Trade Size (in)	Catalog No.
2"	EC56854
2-1/2"	EC56855
3"	EC56856
3-1/2"	EC56857
4"	EC56858
Closure Plate . . .	EC56933S

IMPORTANT - for use with:

Module Description	Siemens Series#
Main Breakers	WB(M), WEB(M), WXB(M), BFT(M)
Switches	WMP, WS, WES, WXS
Tap/Terminal Boxes	WTB, WET, WT PU, WTBN, WBT(M)
Pull Boxes	WMMB
Meter Module	(W)MM, (W)MT, (W)ML, (W)MK, (W)MLZ(F), (W)MN
Meter Combinations	WC, WCL, WCT,
Extension Box	WSP, WSPD
Bussed Elbow	BE, WELB

Important: Do not allow petroleum based (hydrocarbon) sprays, chemicals, solvents or any paint to contact interior components. Petroleum based chemicals can cause degradation of electrical insulating materials.

49311262

Siemens Industry, Inc. Norcross, Georgia U.S.A.

D

409000531021 Rev.00

© 2018 Copyright Siemens Industry, Inc.