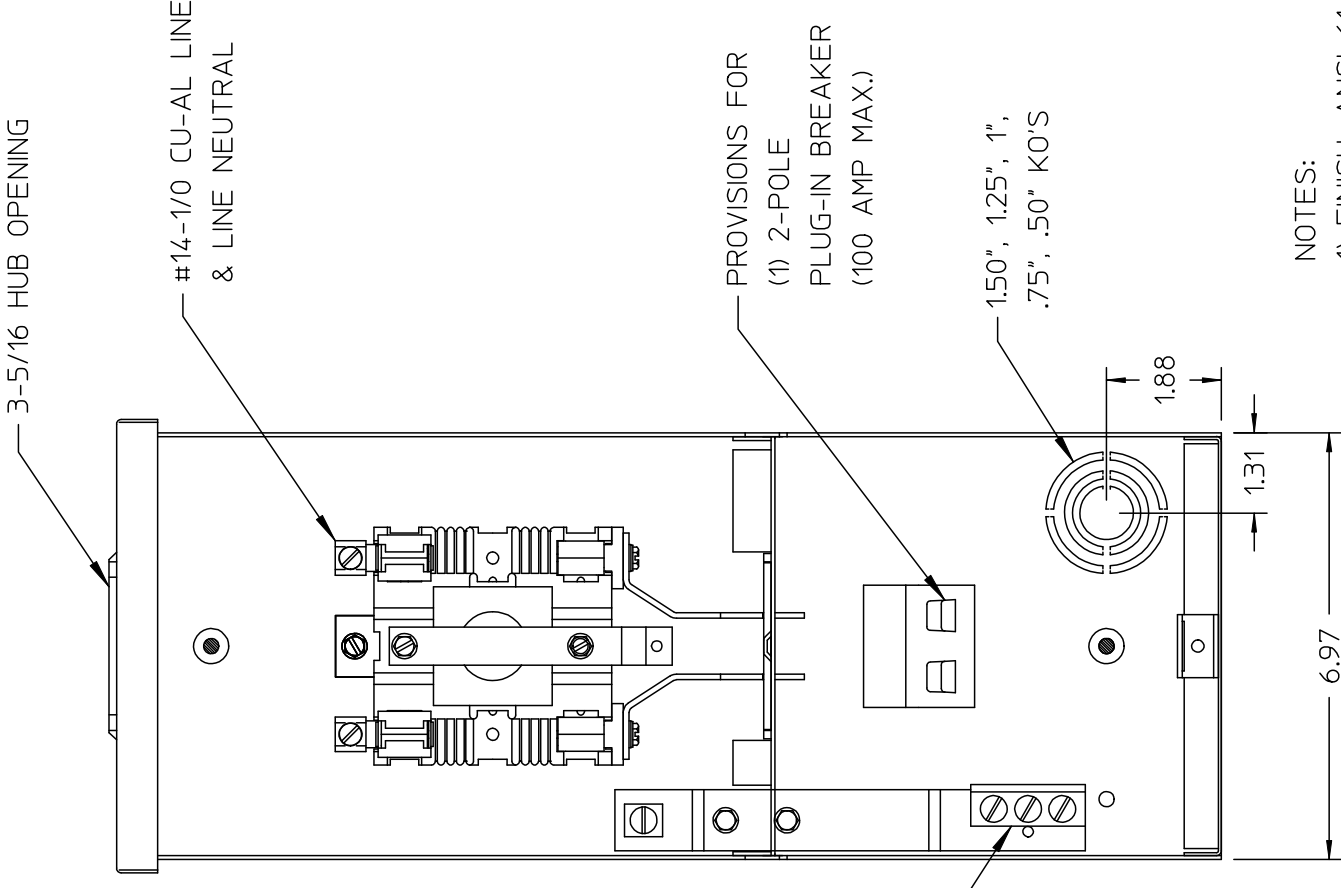


#14-2/0 CU-AL LOAD NEUTRAL & GROUND



IF HUB IS REQUIRED THE CATALOG NOS. LISTED BELOW MAY BE USED

1-1/4"EC38597

1-1/2"EC38598

2"EC38599

2-1/2"EC38600

NOTES:

- 1) FINISH: ANSI 61 GRAY BAKED POWDER COAT PAINT OVER G-90 GALVANIZED, PHOSPHATIZED STEEL.
- 2) ELECTRICAL RATINGS:
100 AMP, 1 PHASE, 3 WIRE,
120/240 V.A.C.
- 3) PACKED (2) PER CARTON.
- 4) SNAP TYPE SEALING RING PROVIDED.
- 5) 1-1/4" BOLT ON HUB BAGGED AND PLACED INSIDE BREAKER COMPARTMENT.

TOLERANCES (UNLESS OTHERWISE NOTED)
 SHEARED BLANKS & FRACTIONS ±.032
 OPEN NOTCH TO SHEARED EDGE ±.032
 PUNCHED HOLES/SHAPES ±.003
 FORMED FLANGES ±.032
 ALL OTHER DIMENSIONS ±.015
 FINAL ASSEMBLY DRAWING DIMENSIONS ARE NOMINAL, REFER TO INDIVIDUAL PART/SUB FOR ALLOWABLE CUMULATIVE TOLERANCE

REV	DATE	DESCRIPTION	BY

DATE	BY	BDD
9-28-2010	BDD	

DWG NO. MM0202ML1100S
 SKT/BKR 100A 1P 1-1/4"

Siemens Energy & Automation, Inc.
 Residential Products Division

THIS DRAWING CONTAINS PROPRIETARY AND CONFIDENTIAL INFORMATION WHICH MUST NOT BE DUPLICATED, USED OR DISCLOSED OTHER THAN AS EXPRESSLY AUTHORIZED. SPECIFICATIONS SUBJECT TO CHANGE WITHOUT NOTICE.