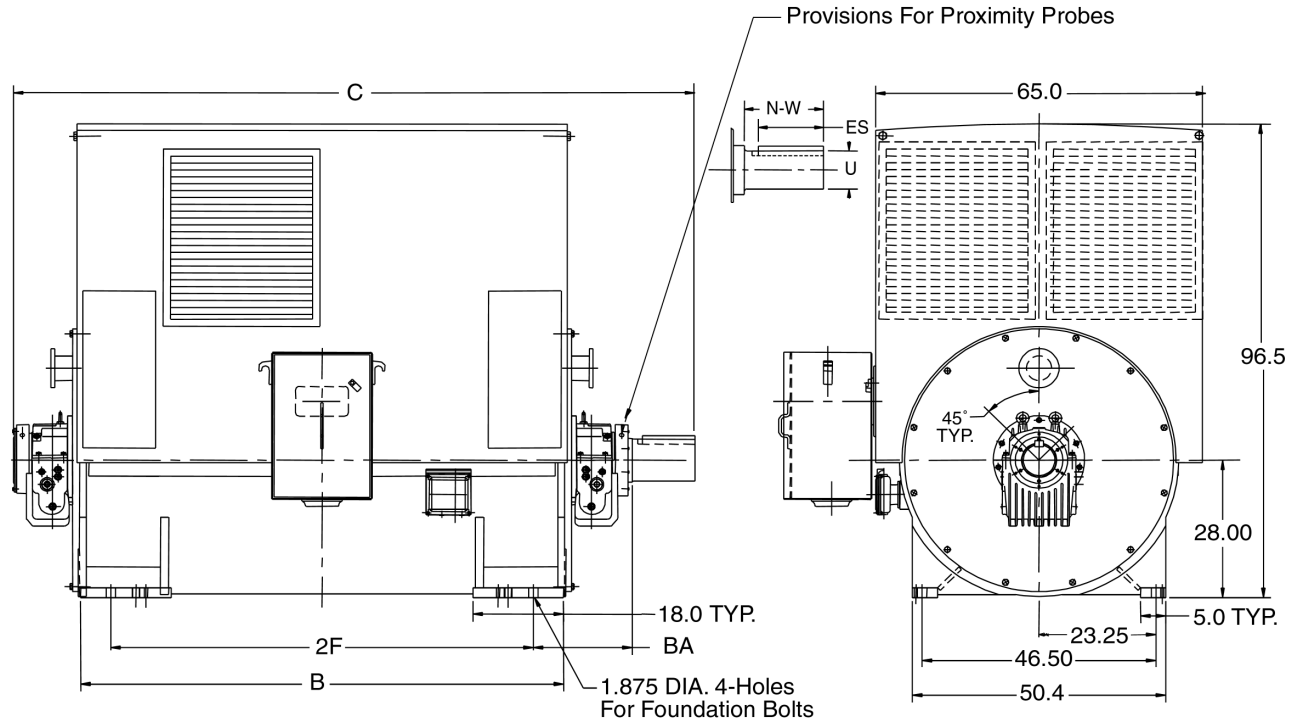


Type CG – Horizontal – Open Drip Proof / Weather Protected Type I Sleeve Bearing With Provisions For External Proximity Probes – Direct Connected Frames 1122 / 1124 – 2 Pole



Standard Dimensions in Inches

Shaft	Frame	Speed	B	BA	C	2F	N-W	R ²	S ³	U	V ⁴	ES	Approx. Ship Wt. (Lbs.)
Short	1122	2 Pole	88.0	17.50	119.4	76.0	9.00	4.550	1.25	5.25	8.60	7.75	29200
Short	1124	2 Pole	96.0	17.50	127.4	84.0	9.00	4.550	1.25	5.25	8.60	7.75	33700

Notes

- See Section 3 for selection of main terminal box.
- R = Bottom of key to opposite side of shaft.
- S = Width of keyseat.
- V = Length of shaft available for coupling.
- Jackscrew holes and dowel holes are provided at each foot.
- Shims may be necessary under motor feet for direct connection.
- All machines may rotate in one direction only.
- Rotor end float = 0.5"
- End float of LEF coupling = 0.19"
- For motors without provisions for externally mounted proximity probes, use print in Part 2 of this section.

Lubrication Per Bearing
2 Pole
140-160 SUS @ 100°F
5.0 qt. capacity

Certification

Customer _____ P.O. _____ S.O. _____ Item _____

HP _____ RPM _____ FRAME _____ PH/HZ/Volts _____

Rotation Facing Shaft Extension CW CCW Either

By _____ Date _____

Not for construction, installation or application purposes unless certified.