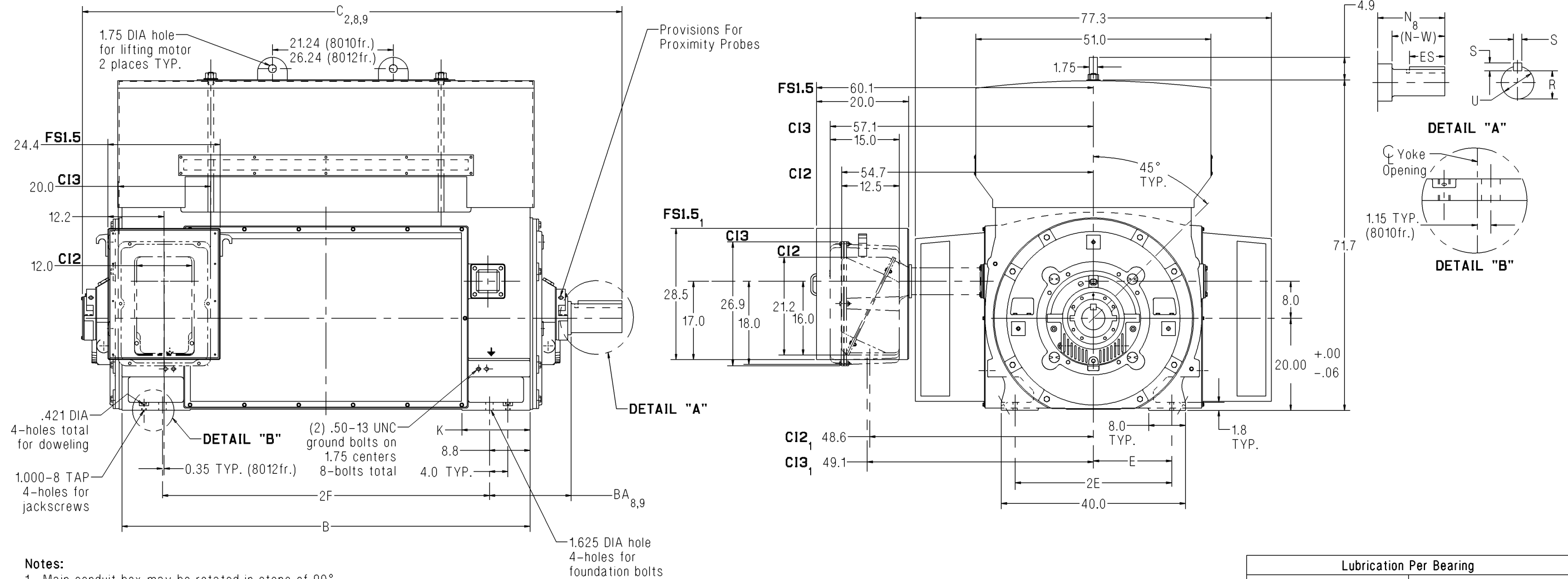


SIEMENS

Dimension Prints for Above NEMA Motors

Type CG – Horizontal – Open Drip Proof / Weather Protected Type I Sleeve Bearing With Provisions For External Proximity Probes – Direct Connected Frames 8010 / 8012 – 2, 4, & 6 Pole – Rotatable Main Conduit Box



Notes:

- Main conduit box may be rotated in steps of 90°. A removable bottom plate is supplied on the FS1.5 conduit box. A 5.0 N.P.T. is supplied on the CI2 and CI3 conduit boxes. A 16.0" spacer is supplied on both frames for all rotatable conduit boxes.
- C = Length of motor from drive end of shaft to end of non-drive end of motor.
- V = (N-W)-0.25" = length of shaft available for coupling.
- 2 Pole machines may rotate in one direction only.
- Shims may be necessary under motor feet for direct connection.
- Rotor end float = 0.5"
- End float of LEF coupling = 0.19"
- Adding a rotating labyrinth seal to the drive end increases BA and C by: 2 Pole: 0.35" 4 & 6 Pole: 0.35" and decreases N by: 2 Pole: 0.20" 4 & 6 Pole: 0.20"
- When adding a ground brush consult the factory. (BA and C will increase.)
- For motors equipped without provisions for proximity probes use print CG_800_2-4-6PL_SLV_ROT.

Lubrication Per Bearing	
2 Pole	4 & 6 Pole
140-160 SUS @ 100°F	290-350 SUS @ 100°F
6.0 qt. capacity	6.0 qt. capacity

Standard Dimensions in Inches

Shaft	Frame	Speed	B	BA _{8,9}	C _{2,8,9}	E	2F	K	N ₈	(N-W)	R	S	U	V ₃	ES	Approx. Ship Wt. (Lbs)
Short	8010	2 Pole	73.6	17.75	99.9	17.0	56.0	13.3	9.50	8.75	4.296	1.25	5.000	8.50	7.0	18700
Short	8010	4 & 6 Pole	73.6	17.75	102.1	17.0	56.0	13.3	11.75	11.00	5.408	1.50	6.250	10.75	9.5	19600
Short	8012	2 Pole	88.6	17.75	114.9	17.0	71.0	14.8	9.50	8.75	4.296	1.25	5.000	8.50	7.0	23000
Short	8012	4 & 6 Pole	88.6	17.75	117.1	17.0	71.0	14.8	11.75	11.00	5.408	1.50	6.250	10.75	9.5	24400

Certification: Customer _____ P.O. _____ S.O. _____ Item _____
 HP _____ RPM _____ Frame _____ PH/HZ/Volts 3/_____/_____/_____ Terminal Box Size CI2 CI3 FS1.5
 By _____ Date _____
 Comments _____
 Not for construction, installation or application purposes unless certified.

CG_800_2-4-6PL_SLVPRB_ROT
 Revision 01
 01/26/09