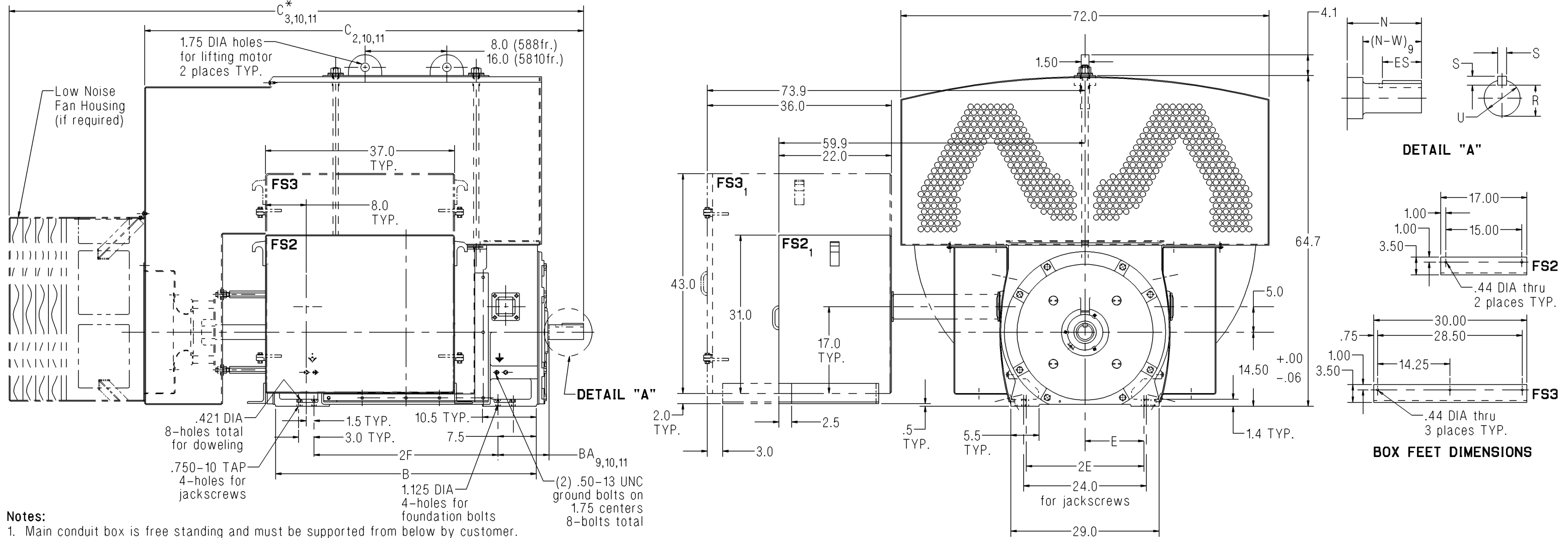


Dimension Prints for Above NEMA Motors



Notes:

- Main conduit box is free standing and must be supported from below by customer. Main conduit box is not level with motor feet. A removable bottom plate is supplied on the FS2 and FS3 conduit boxes. A 21.0" spacer is supplied on both frames for the FS2 and FS3 conduit boxes.
- C = Length of motor from drive end of shaft to end of standard fan housing.
- C* = Length of motor from drive end of shaft to end of low noise fan housing.
- V = (N-W) - 0.25" = length of shaft available for coupling. Note: When adding a rotating labyrinth seal, (N-W) will change so V will change accordingly.
- Machines rotate in one direction only.
- Shims may be necessary under motor feet for direct connection.
- Approximate ship weight is based on standard aluminum cooling tubes.
- Short shaft is for direct connection. Long shaft may be either belt drive or direct connection depending upon the bearing installed in the motor.
- Adding a rotating labyrinth seal to the drive end increases BA and decreases (N-W) by:
 2 Pole: 0.28" 4 Pole & Slower: 0.28" Long Shaft 4 Pole & Slower: 0.28"
- Adding a ground brush increases BA, C, and C* by:
 2 Pole: 2.50" 4 Pole & Slower: 2.50" Long Shaft 4 Pole & Slower: 2.50"
- Adding a ground brush with rotating labyrinth seal increases BA, C, and C* by:
 2 Pole: 2.75" 4 Pole & Slower: 2.75" Long Shaft 4 Pole & Slower: 2.75"

Standard Dimensions in Inches

Shaft	Frame	Speed	B	BA _{9,10,11}	C _{2,10,11}	C* _{3,10,11}	E	2F	N	(N-W) _g	R	S	U	V ₄	ES	Approx. Ship Wt. (Lbs) ₇
Short	588S	2 Pole	43.0	10.00	78.3	104.3	11.50	28.0	7.00	6.75	2.450	0.750	2.875	6.50	5.0	7100
Short	588S	4 Pole & Slower	43.0	10.00	79.6	105.6	11.50	28.0	8.25	8.00	3.436	1.000	4.000	7.75	6.0	7300
Short	5810S	2 Pole	51.0	10.00	86.3	112.3	11.50	36.0	7.00	6.75	2.450	0.750	2.875	6.50	5.0	8500
Short	5810S	4 Pole & Slower	51.0	10.00	87.6	113.6	11.50	36.0	8.25	8.00	3.436	1.000	4.000	7.75	6.0	8700
Long	588	4 Pole & Slower	43.0	10.00	86.2	112.2	11.50	28.0	14.90	14.62	4.169	1.250	4.875	14.38	13.0	7300
Long	5810	4 Pole & Slower	51.0	10.00	94.2	120.2	11.50	36.0	14.90	14.62	4.169	1.250	4.875	14.38	13.0	8700

Certification: Customer _____ P.O. _____ S.O. _____ Item _____
 HP _____ RPM _____ Frame _____ PH/HZ/Volts 3/_____/_____
 By _____ Date _____ Terminal Box Size FS2 FS3
 Comments _____
 Not for construction, installation or application purposes unless certified.