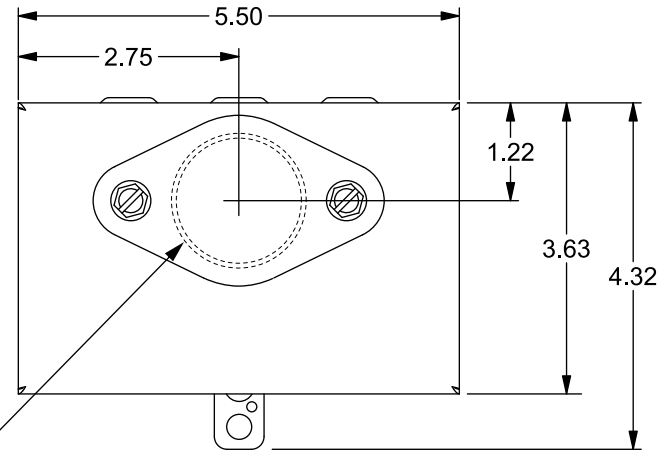


## Features and Ratings

- 60 Amps Max., 1 Phase, 3 Wire, 120/240V ~
- 2 - 1" Positions, 4 Circuits Max.
- NEMA Type 3R Outdoor Enclosure
- Use HA Type Hubs
- Closure Plate Included



PROVISION FOR HA TYPE HUB

## Accessories

1" Filler Plate - Catalog# ECQF3  
Ground Bar - Catalog# ECGB5, 5 Taps

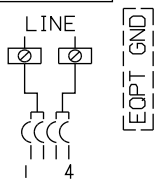
If hub is required, use  
Type HA Hub Catalog No:  
3/4" ..... ECHA075  
1" ..... ECHA100  
1-1/4"..... ECHA125

## Terminal Wire Sizes and Torques

TIGHTEN NEUTRAL BAR TERMINALS AS SHOWN BELOW  
Wire Size/Range 14-10 AWG 8 AWG 6 AWG 4-2 AWG  
Small Terminals: 20 LB-IN 25 LB-IN 35 LB-IN —  
Large Terminals: 35 LB-IN 40 LB-IN 45 LB-IN 45 LB-IN

Bond When Req'd

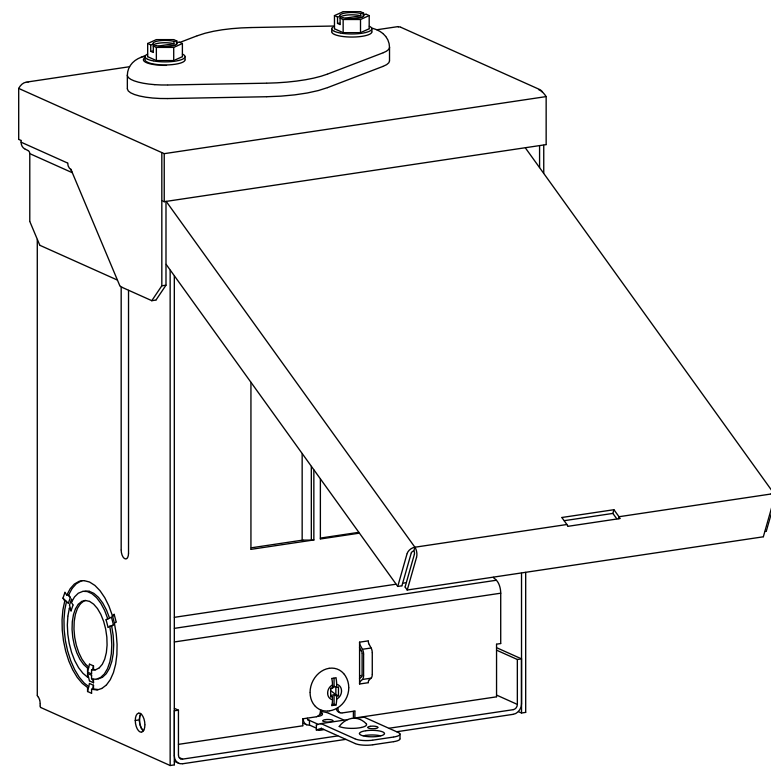
NEUTRAL



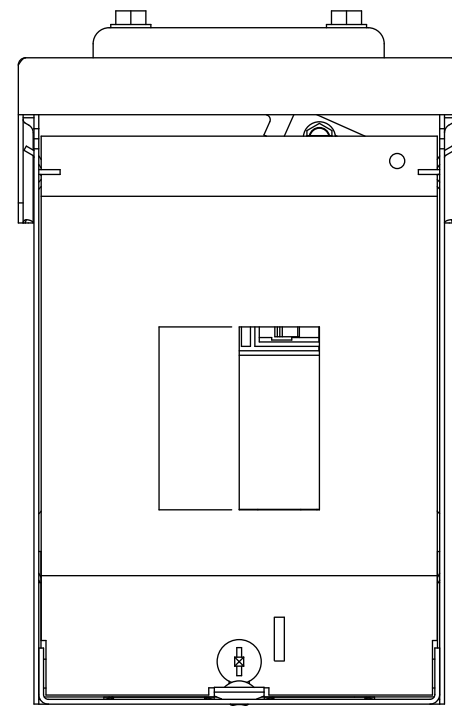
LINE TERMINALS SUITABLE FOR 60°/75°C CONDUCTORS.  
WIRE SIZE: #14-#2 AWG.

| Wire Size  | Torque      |
|------------|-------------|
| #14-10 AWG | 35 Lb.-Ins. |
| #8 AWG     | 40 Lb.-Ins. |
| #6-2 AWG   | 45 Lb.-Ins. |

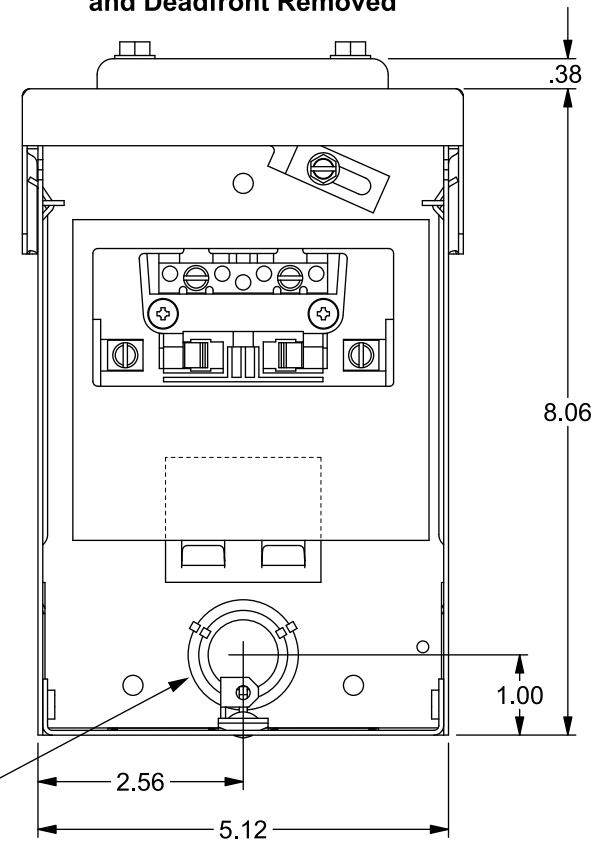
| Ground Bar Wire Size     | Torque      |
|--------------------------|-------------|
| #14-10 AWG CU            | 20 Lb.-Ins. |
| #12-10 AWG AL            | 20 Lb.-Ins. |
| #8 AWG CU/AL             | 25 Lb.-Ins. |
| #6-4 AWG CU/AL           | 35 Lb.-Ins. |
| (2) or (3) #14 AWG CU/AL | 20 Lb.-Ins. |
| (2) #12-10 AWG CU/AL     | 20 Lb.-Ins. |



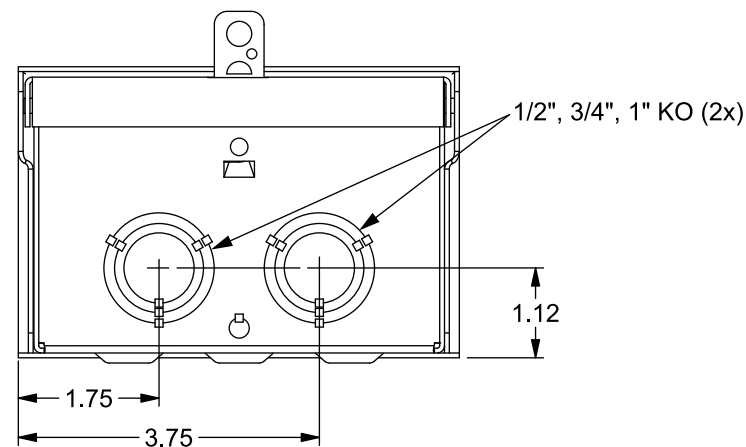
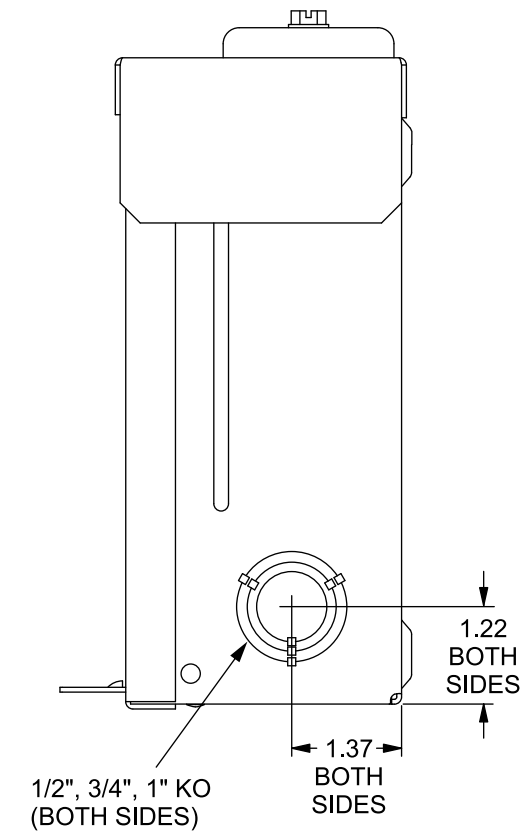
View Shown with Door Removed



View Shown with Door and Deadfront Removed



1/2", 3/4", 1" KO



1/2", 3/4", 1" KO (2x)

**W0204ML1060U**

© 2017 Copyright Siemens Industry, Inc.

**SIEMENS**  
Siemens Industry, Inc.

**Load Center**

Description: **1 Phase, 60A Max,  
Outdoor, 2 Sp, 4 Ckt Max**

KAM 10/20/17 DO NOT SCALE DRAWING Dwg No: **W0204ML1060U**