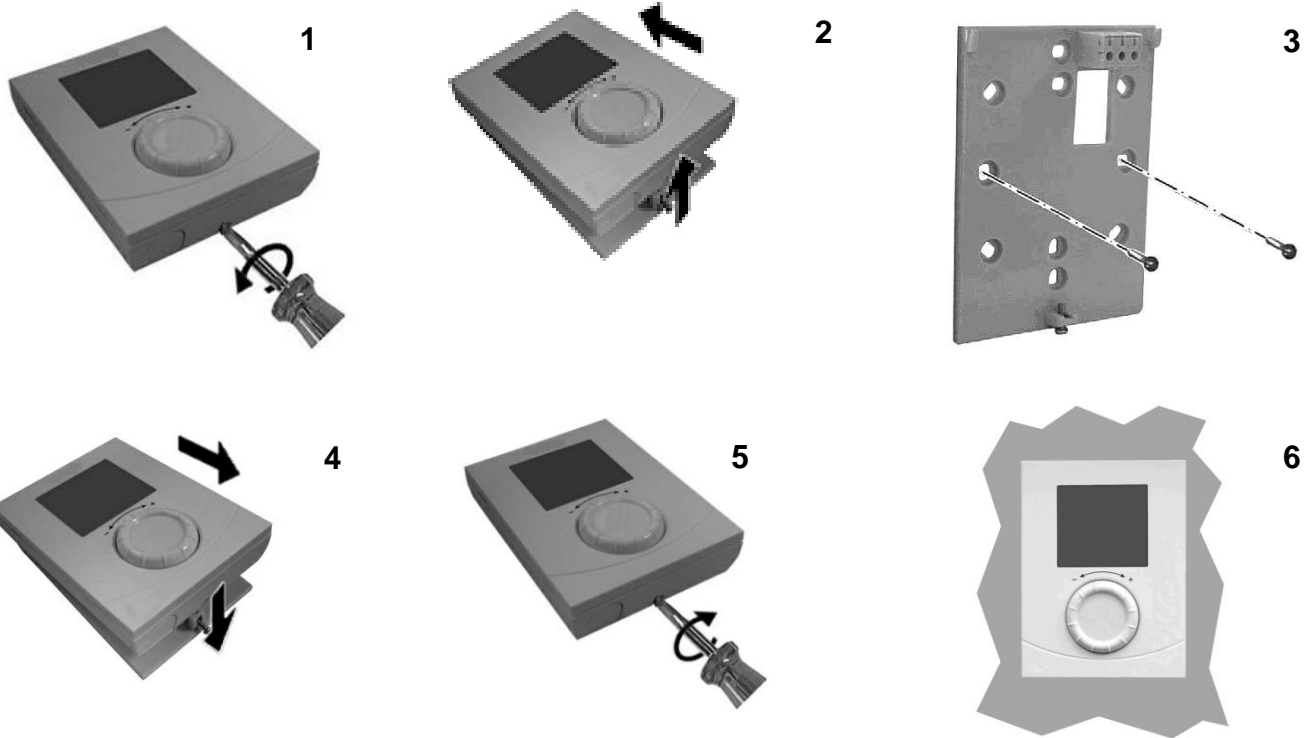


BRTRF BPS242RF

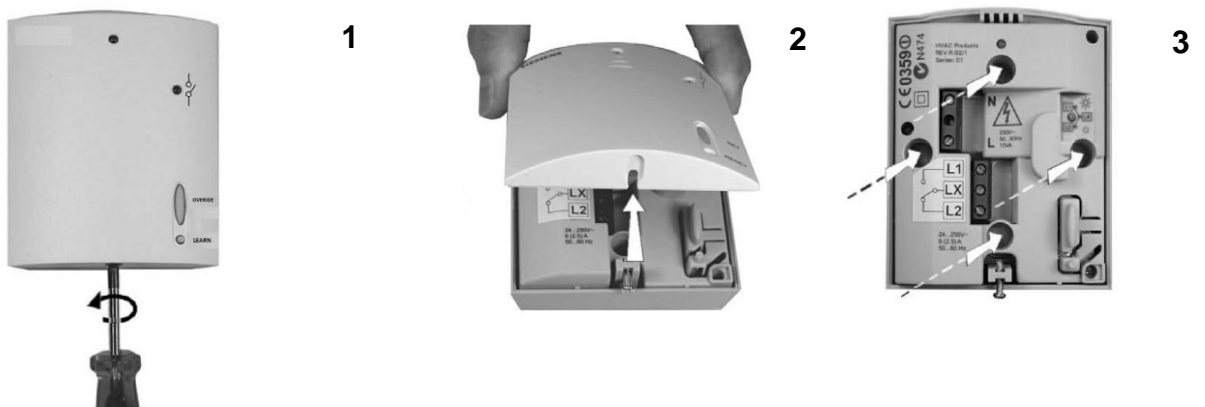
BRTRF / BPS242RF



BRTRF/BPS242RF



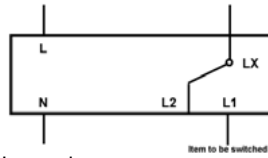
BR 1





4

Wiring Diagram



Legend

- LX = Common
- L1 = Live feed to item to be controlled
- L2 = Changeover contact (Not Normally used)
- L = Live
- N = Neutral

Terminals



5



6

Conformity Declaration

Hereby declares that this "Room Thermostat" is in compliance with the essential requirements and other relevant provision of Directive 1999/5/EC.

Standard according to EN 60730

Automatic action	Type 1.B
Degree of pollution	2
Rated impulse voltage	4000 V

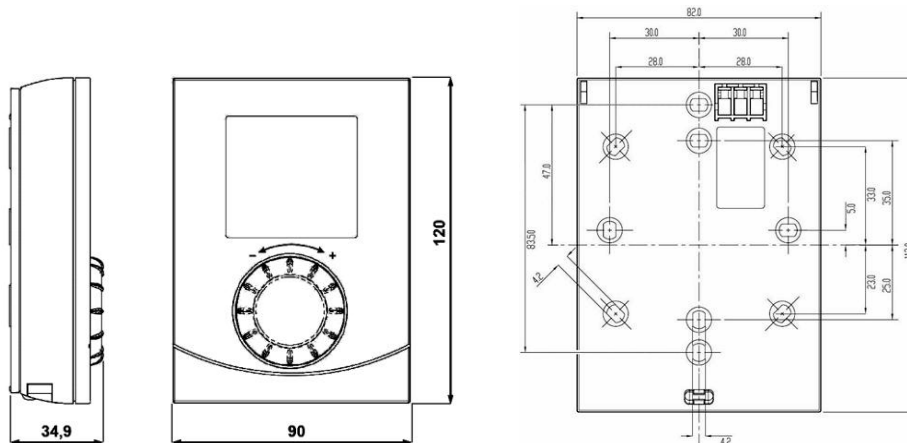


Mounting and siting notes BPS242RF BRTRF

The units should be sited such that transmitted and received signals will be disturbed as little as possible.

- Do not mount the units on metal surfaces
- Do not mount the units near electrical wires or electronic equipment such as PCs, TV sets, microwave equipment, etc.
- Do not mount the units in the vicinity of large metal structures or other construction elements with fine metal meshes like special glass or special concrete
- The distance between controller/transmitter and receiver should not exceed 20 m Line of Sight or 2 floors.
- If using more than one receiver in a property ensure receivers are at least 400 mm apart
- The local regulations for electrical installations must be complied with
- Make sure the BR1 receiver is mounted a minimum distance of 450 mm away from the boiler

**BRTRF
BPS242RF**



BR1

