

SIEMENS

Indoor/Outdoor Cross Bus Switch Module

Catalog Number
WXS1600NU

Enclosure
Type 3R

Module Rating:

600 Amps, Max; See fuses for actual rating.
Main Bus Rating: 1200 Amps
120/240 Volts~, 1 Phase, 3 Wire
208Y/120 Volts~, 1 Phase, 3 Wire, (from 3 Phase, 4 Wire network)

For installation by Qualified Person in accordance with all local electrical codes and/or the National Electrical Code ©.

WARNING!

This device is invertible for left or right side feed. The "LINE" and "LOAD" connections must be made as indicated to ensure the fuse bussing will be de-energized when the switch is in the OFF position.

Short Circuit Current Rating

This device has a maximum short circuit current rating of 100,000 amps RMS symmetrical at 240 Volts ~. Use Class T (300V) fuses only. Continuous load current not to exceed 80% of the rating of the fuses in other than motor circuits.

If cover interlock is defeated, it will be necessary for cover interlock plate to be positioned over opening and retightened.

Accessories: _____ **Cat. No.** _____
Ground Bar _____ ECLX069 or ECLX071

Equipment Ground Bars

Small Terminals		Large Terminals	
Wire Range / Torque		Wire Range / Torque	
10-14 AWG	20 lb-in	10-14 AWG	35 lb-in
8 AWG	25 lb-in	8 AWG	40 lb-in
6 AWG	35 lb-in	1/0-6 AWG	45 lb-in

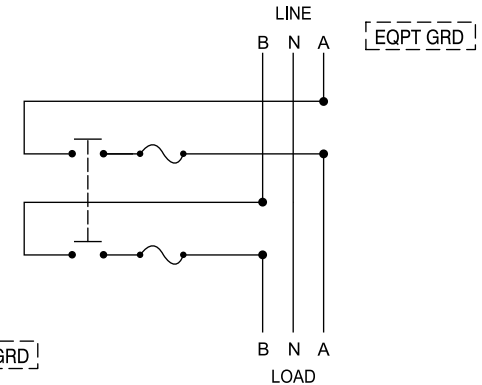
Torque fuse mounting hardware to 150 lb-in.

See adjacent labels for additional marking information.

Siemens Industry, Inc. Norcross, Georgia U.S.A. **DH1** 40901477 0101 Rev.00

© The National Electrical Code is a registered trademark of the National Fire Protection Association.
© 2016 Copyright Siemens Industry, Inc.

SIEMENS



When this module is used as a Service Disconnect, apply "Service Disconnect" label near the switch handle. In all other applications, apply the "Main" label near the switch handle.

Connect Modules Using: _____ **Cat. No.** _____ **Torque** _____
Quick Connect _____ QC1 _____ 400-440 lb-in (35-36 ft.-lb.)

IMPORTANT - for use with:

Module	For Use With Siemens Series#
Main Breakers	(W)MC, WB, WEB, WXB, WBT
Switches	WMP, WMS, WS, WES
Tap/Terminal Boxes	WMTB, WTB, WET, WT_PU
Pull Boxes	WMMB
Meter Module	(W)MM, WxMM, (W)MT, (W)ML, (W)MK, (W)MLZ(F)
Meter Combinations	WC, WCL, WCT
Extension Box	WMEX, WSP, WSPD
Bussed Elbow	BE, WELB

Important: Do not allow petroleum based (hydrocarbon) sprays, chemicals, solvents or any paint to contact interior components. Petroleum based chemicals can cause degradation of electrical insulating materials.

Siemens Industry, Inc. Norcross, Georgia U.S.A. **DH1** 40901477 0201 Rev.00

© 2016 Copyright Siemens Industry, Inc.