

REVISION	DATE	BY	DATE	BY
		DRAWN	16/01/21	PP
		CHEK'D		
		VERIF'D		

Confidential – Property of Siemens Industry, Inc.	
CUSTOMER	
ORDER NO.	DWG. NO. 3F3Y300ESCLN3D16CC SH 1 OF 2

SIEMENS

CATALOG NO. 3F3Y300ESCLN3D16CC
SERIAL NO. SERIES H
300 kVA **60** Hz **3** PHASE
3.9 % IMP AT **170** °C

150 °C RISE **30** °C AVG. AMBIENT
220 °C TEMP CLASS **40** °C MAX. AMBIENT

PRIMARY (H1 H2 H3) **480V** V **10** kV BIL
SECONDARY(X0 X1 X2 X3) **208Y/120V** V **10** kV BIL

WINDING MATERIAL **CU**
ENCLOSURE TYPE – **WEIGHT 1700 LBS**
ENERGY EFFICIENCY **EXCEEDS CSA** DOE 10 CFR PART 431:2016
C802.2–2012

ELECTROSTATIC SHIELD
SOUND LEVEL IS 3 DB LOWER THAN NEMA ST20 REQUIREMENTS

SUITABLE FOR INDOOR OR OUTDOOR LOCATIONS
BEFORE HANDLING, INSTALLING AND OPERATING, SEE INSTRUCTION MANUAL

NEMA Class **AN** Dry Type Transformer
Siemens Industry, Inc. Norcross, GA ds00086



VOLTS

504
492
480
468
456
444
432

CONNECT

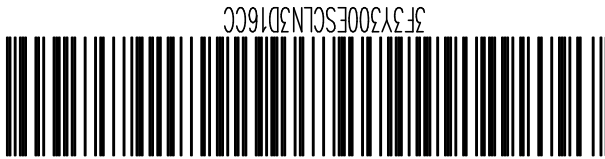
1
2
3
4
5
6
7

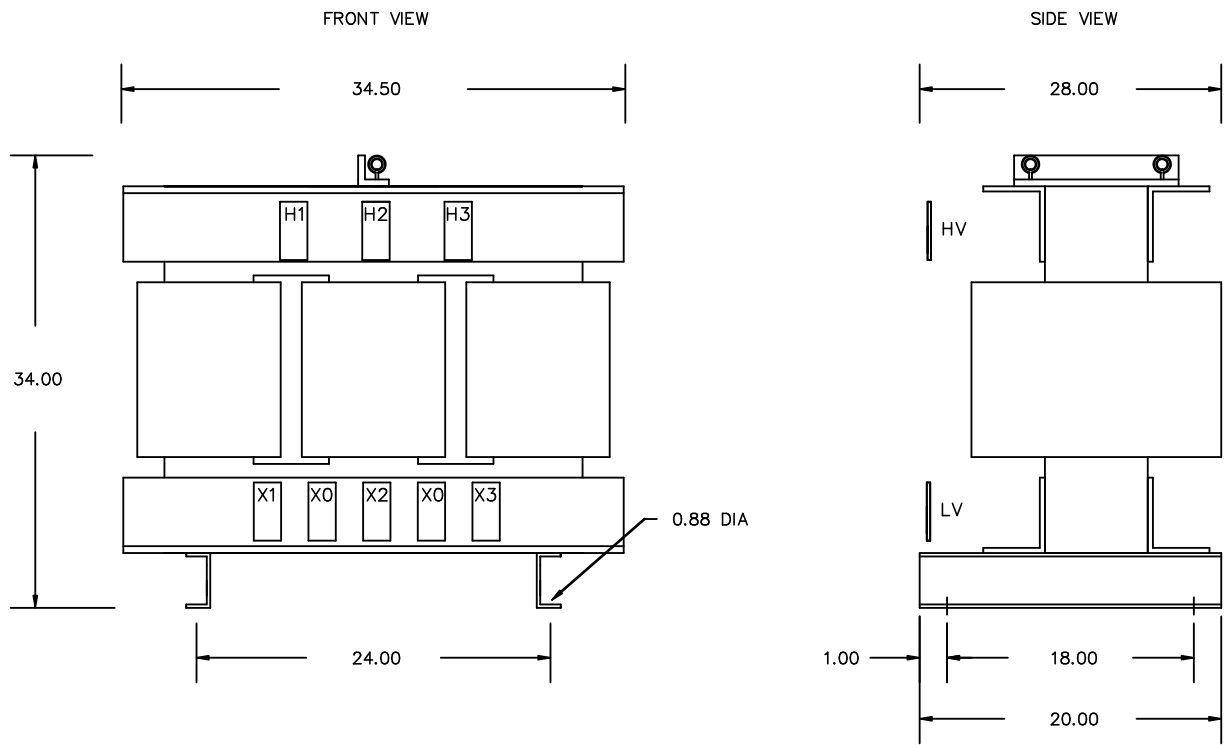
TYPE **J**



SI DRY TYPE TRANSFORMER **LR 3902**
E112315

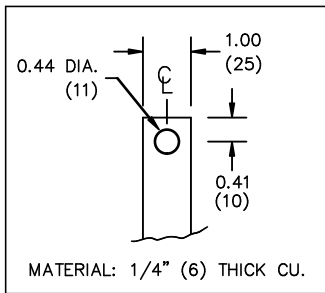
SEISMIC QUALIFICATIONS, FLOOR MOUNT ONLY
IBC 2012/ASCE 7-10
SDS<=2.0g Z/h=1 Ip=1.5



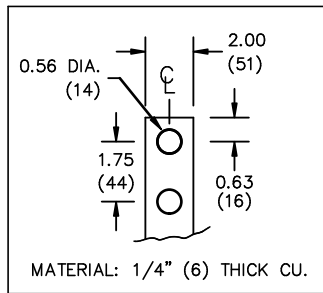


All Dimensions in inches

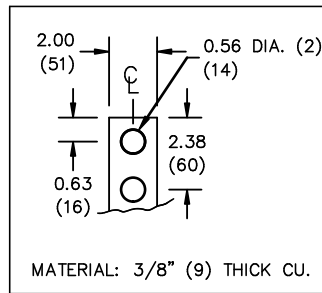
H.V.1. TERMINAL DETAIL



L.V.1. TERMINAL DETAIL



X0 TERMINAL DETAIL



CUSTOMER NOTES:

- HV1 TERMINATED AT TOP FRONT
- LV1 TERMINATED AT BOTTOM FRONT
- X0 TERMINATED AT BOTTOM FRONT
- DIMENSIONS ARE APPROXIMATE
- X0 HAS QTY 2 PADS. DIVIDE CABLES EVENLY ON BOTH PADS

Confidential - Property of
Siemens Industry, Inc.

REVISION	DATE	BY	DATE	BY	CUSTOMER
			DRAWN 16/01/21	PP	
			CHEK'D		
			VERIF'D		
					ORDER NO.
					DWG. NO. 3F3Y300ESCLN3D16CC SH 2 OF 2