



IF IN DOUBT ASK

DO NOT SCALE

NOTES

1) TERMINALS RECOMMENDED ARE PRE-INSULATED & MUST BE CRIMPED USING APPROVED TOOLING.

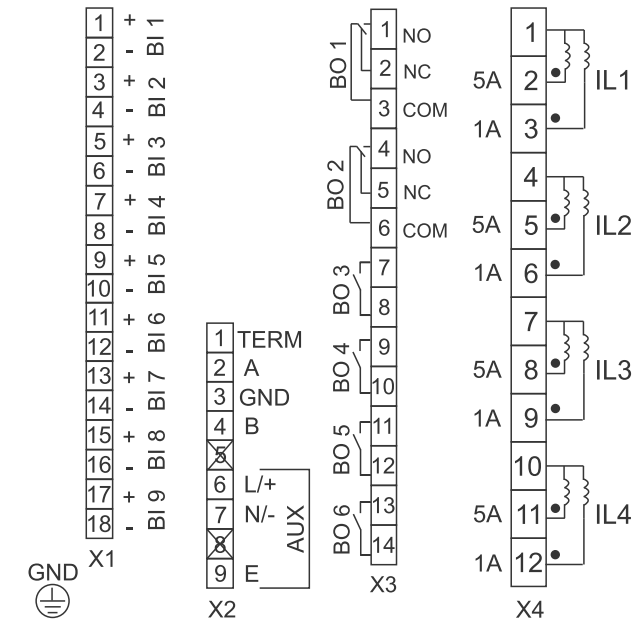
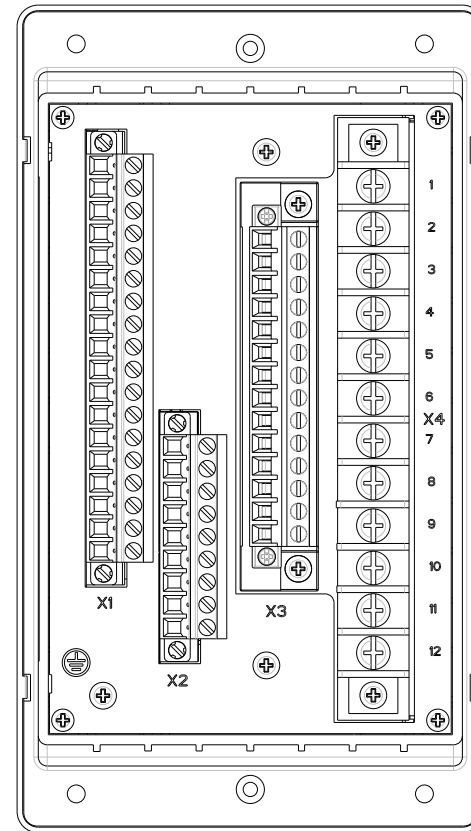
SUPPLIER	PART NUMBER	CABLE SIZE
TE connectivity	2-327960-1	2.5mm sq.
3D	3D-8011H	2.5mm sq
3D	3D-8009H	1.5mm sq

OR ANY OTHER MANUFACTURERS EQUIVALENT TERMINAL.

2) CONNECTIONS TO THIS COMMUNICATIONS FACILITY IS BY SCREENED, TWISTED PAIR CABLE, ON SITE. WHEN WIRING OTHER FACILITIES ENSURE THAT THESE TERMINALS ARE NOT OBSCURED BY OTHER WIRE RUNS.

EU EXPORT CONTROLS **ECCN: N** **AL: N**

This document is not Export Controlled unless sending to Critical Countries.



ABBREVIATIONS	
I-	CURRENT INPUTS
BI-	BINARY INPUTS
BO-	BINARY OUTPUTS
COM-	BINARY OUTPUT COMMON
NO-	NORMALLY OPEN BINARY OUTPUT CONTACTS
NC-	NORMALLY CLOSED BINARY OUTPUT CONTACTS
L-	LINE
N-	NEUTRAL
E-	EARTH

COMMUNICATIONS IDENTIFICATION	
COM1	RS485 X2
COM2	USB TYPE 'B' PORT (ON RELAY FRONT LABEL)

**NOT SUBJECT TO UPDATE
ONCE COPIED / PRINTED
OR DOWNLOADED**

MATERIAL:

Dimensions in millimetres : Surface texture in micrometres.

Machine where marked ✓

For explanation of dimensions, tolerances, notes etc. see B.S.308.

Limit on untoleranced unmachined dimensions `

Limits on untoleranced machined dimensions to B.S.4500;

i.e. up to 6`0.1; over 30 to 120`0.3; over 315`0.8;

over 6 to 30`0.2; over 120 to 315`0.5;

General unmachined angular tolerance `

Finish:

Treatment:

Title:

TERMINAL ID & WIRING DIAGRAM FOR7SR10 UNPS

SIEMENS PROTECTION DEVICES LTD.

Copyright © Siemens Protection Devices Ltd. Hebburn

First used on:

Similar Articles:

Supersedes:

Original Scale.

NTS

Drg. No.

1

19/07/21

CHANGE

ISSUE

DATE

NOTED



2437W60006