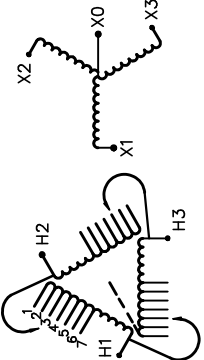




REVISION	DATE	BY	DATE	BY
		DRAWN	16/11/10	AS
		CHEK'D		
		VERIF'D		

CUSTOMER	
ORDER NO.	DWG. NO.
	3F6Y075D16

Siemens Industry, Inc.

SIEMENS

CATALOG NO. 3F6Y075D16 SERIAL NO. SERIES H 75 kVA 60 Hz 3 PHASE 6 % IMP AT 170 °C			
150 °C RISE	30 °C AVG. AMBIENT	VOLTS CONNECT 504 1 492 2 480 3 468 4 456 5 444 6 432 7	
220 °C TEMP CLASS	40 °C MAX. AMBIENT		
PRIMARY (H1 H2 H3)	480 V 10 kV BIL		
SECONDARY(X0 X1 X2 X3)	380Y/219 V 10 kV BIL		
WINDING MATERIAL AL			
ENCLOSURE TYPE 3R		WEIGHT 530 LBS	
ENERGY EFFICIENCY EXCEEDS CSA C802.2-2012 DOE 10 CFR PART 431:2016			
SPACINGS BETWEEN ANY VENTILATED ENCLOSURE PANEL AND ANY ADJACENT WALL SHALL BE A MINIMUM OF 5 INCHES EXCEPT WHEN WALL MOUNTED USING APPROVED WALL MOUNTING KIT			
SUITABLE FOR INDOOR OR OUTDOOR LOCATIONS BEFORE HANDLING, INSTALLING AND OPERATING, SEE INSTRUCTION MANUAL		TYPE K  LISTED  LR 3902 DRY TYPE TRANSFORMER E112313 SEISMIC QUALIFICATIONS, FLOOR MOUNT ONLY OSP-0136-10 IBC 2012/ASCE 7-10 SDS<=2.0g Z/h=1 Ip=1.5	
NEMA Class ANN Dry Type Transformer		Siemens Industry, Inc. Norcross, GA <small>dsu0086e</small>	





All Dimensions in inches

ENCLOSURE COLOR :ANSI 61 GREY - OUTDOOR

HV TERMINAL DETAIL

LV TERMINAL DETAIL

MECHANICAL TYPE LUGS INCLUDED
SUITABLE FOR #2/0-14 CU/AL
CONDUCTORS
1 CONDUCTOR PER PHASE

MECHANICAL TYPE LUGS INCLUDED
SUITABLE FOR 250MCM-6 CU/AL
CONDUCTORS
1 CONDUCTOR PER PHASE

- CUSTOMER NOTES:
- HV TERMINATED AT TOP FRONT
 - LV TERMINATED AT BOTTOM FRONT

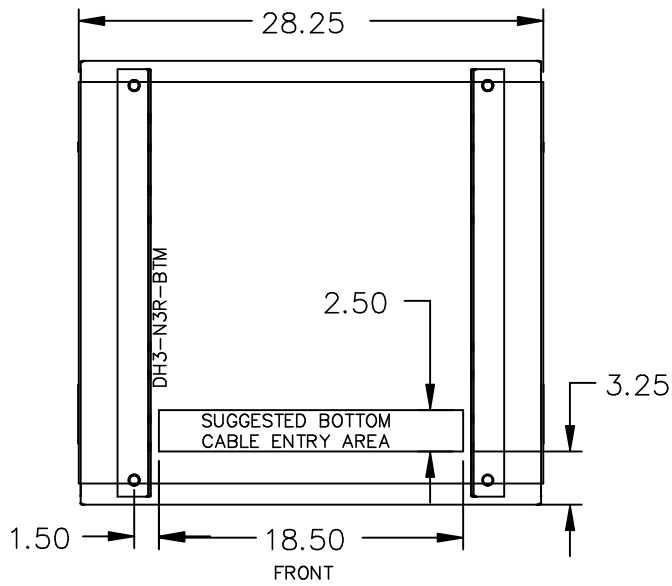
Siemens Industry, Inc.

REVISION	DATE	BY	DATE	BY
		DRAWN	16/11/10	AS
		CHEK'D		
		VERIF'D		

CUSTOMER	
ORDER NO.	DWG. NO. 3F6Y075D16
SH 2 OF 3	

0.2_jwen 2017/06/13 16:03

ENCLOSURE BOTTOM VIEW



NOTE:
 WHEN BOTTOM CABLE ENTRY IS OPTED, THE SPACE USED FOR CONDUITS IN THE FRONT OF THE TRANSFORMER SHOULD NOT OBSTRUCT MORE THAN 50% OF THE FRONT AIR INTAKE AREA DEFINED BETWEEN THE BOTTOM PLATE AND THE SUPPORTING LEGS.
 SEE MANUAL FOR ADDITIONAL INFORMATION

Siemens Industry, Inc.

REVISION	DATE	BY	DATE	BY
		DRAWN	16/11/10	AS
		CHEK'D		
		VERIF'D		

CUSTOMER		
ORDER NO.	DWG. NO.	
	3F6Y075D16	SH 3 OF 3