

SIEMENS

CATALOG NO. 3F3Y015SSN4X

SERIAL NO.

15 kVA 60 Hz 3 PHASE

3.4 % IMP AT 170 °C

150 °C RISE 30 °C AVG. AMBIENT
 220 °C TEMP CLASS 40 °C MAX. AMBIENT

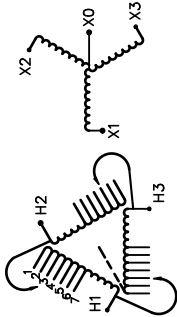
PRIMARY (H1 H2 H3) 480 V
 SECONDARY(X0 X1 X2 X3) 208Y/120 V

WINDING MATERIAL AL

ENCLOSURE TYPE NEMA-4X

WEIGHT 330 LBS

SPACINGS BETWEEN ENCLOSURE AND ANY ADJACENT WALL SHALL BE A MINIMUM OF 6 INCHES



VOLTS	CONNECT
504	1
492	2
480	3
468	4
456	5
444	6
432	7

TYPE KN



DO NOT INSTALL IN AREAS ACCESSIBLE TO PUBLIC
 NE PAS INSTALLER DANS DES ENDROITS ACCESSIBLES AU PUBLIC
 SUITABLE FOR INDOOR OR OUTDOOR LOCATIONS
 BEFORE HANDLING, INSTALLING AND OPERATING, SEE INSTRUCTION MANUAL

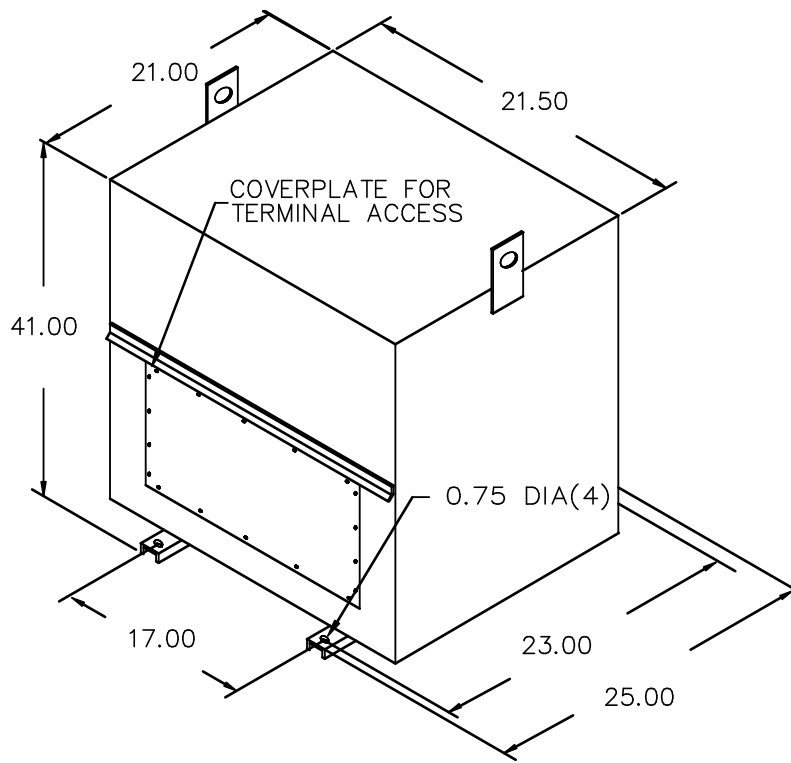
NEMA ClassANC Dry Type Transformer Siemens Industry, Inc. Norcross, GA

dau0001e



REVISION	DATE	BY	DATE	BY
1	07/03/13	CY	05/08/16	CY
2	13/07/10	RB		

Confidential – Property of Siemens Industry, Inc. Building Technologies Division			
CUSTOMER			
ORDER NO.	DWG. NO.	2	
	3F3Y015SSN4X	SH 1 OF 2	



All Dimensions in inches

ENCLOSURE COLOR :316 STAINLESS STEEL # 3 POLISH

H.V.1. TERMINAL DETAIL

L.V.1. TERMINAL DETAIL

MECHANICAL TYPE LUGS INCLUDED
SUITABLE FOR #14-2 CU/AL
CONDUCTORS
1 CONDUCTOR PER PHASE

MECHANICAL TYPE LUGS INCLUDED
SUITABLE FOR #2/0-6 CU/AL
CONDUCTORS
1 CONDUCTOR PER PHASE

CUSTOMER NOTES:

- HV1 TERMINATED AT TOP FRONT
- LV1 TERMINATED AT BOTTOM FRONT

Confidential – Property of
Siemens Industry, Inc.
Building Technologies Division

REVISION	DATE	BY	DATE	BY
			05/08/16	CY
1	07/03/13	CY	CHEK'D	
2	13/07/10	RB	VERIF'D	

CUSTOMER		
ORDER NO.	DWG. NO.	2
	3F3Y015SSN4X	SH 2 OF 2

2.0 rbhatia 2013/07/12 11:28