

SIEMENS

Motor Circuit Protector, Frame DG, FG
 Protector Del Circuito Del Motor, Caja Base DG, FG
 Protecteur De Circuit De Moteur, de Base DG, FG

	U.S. Cat. No.	Euro Order No.
item:	H_M3L_50L	3VL_1_5-2KJ30-0AA0
	H_M3M_50L	3VL_1_5-2KK30-0AA0
	H_M3H_50L	3VL_1_5-2KL30-0AA0

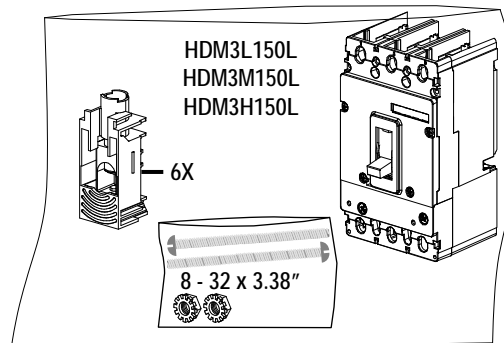
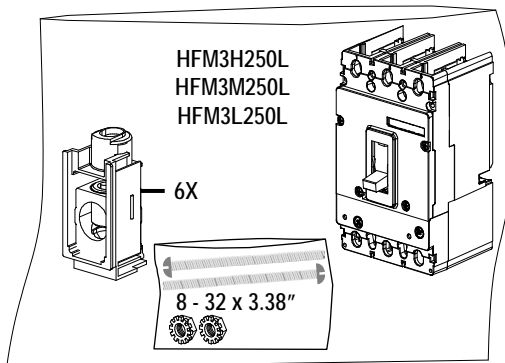
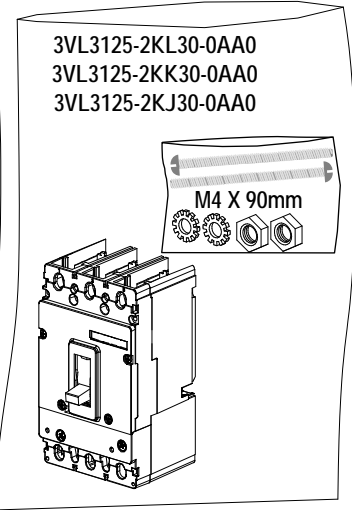
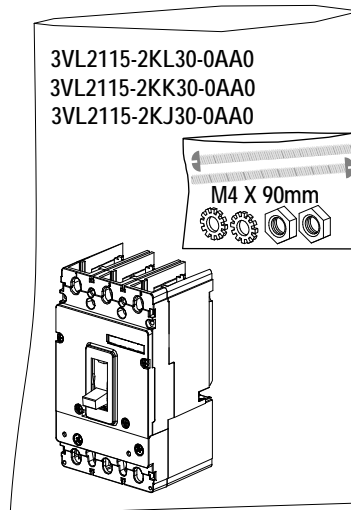
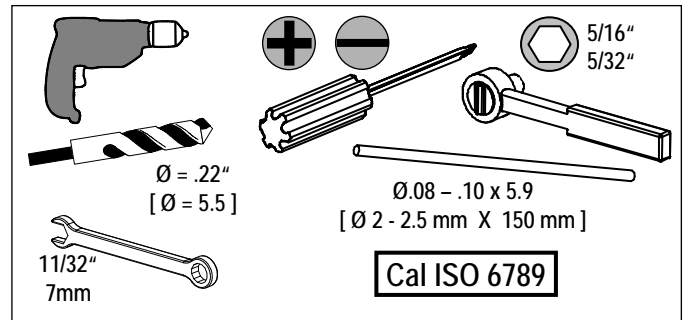
Installation Instructions / Instructivo de Instalación

	 Danger	 Peligro	 Danger
	Hazardous Voltage. Will cause death or serious injury. Turn off and lock out all power supplying this device before working on this device. Replace all covers before power supplying this device is turned on.	Tensión peligrosa. Puede causar la muerte o lesiones graves. Desenergice totalmente antes de instalar o darle servicio. Reemplace todas las barreras y cubiertas antes de energizar el interruptor.	Tension dangereuse. Danger de mort ou risque de blessures graves. Couper l'alimentation de l'appareil et barrer avant de travailler. Remplacez tous les couverts avant que l'alimentation de pouvoir soit alimenté.

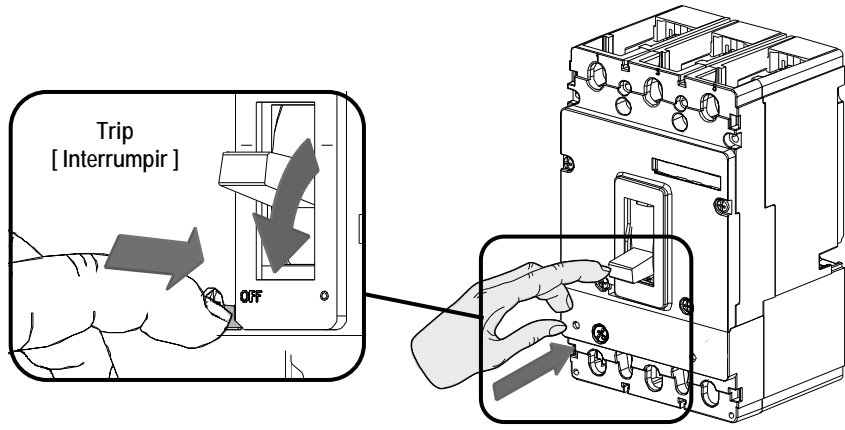
Use only with Siemens certified Components.
 Utilizar únicamente con componentes certificados de Siemens.
 A utiliser uniquement avec les composants certifiés Siemens.

NOTE - These instructions do not purport to cover all details or variations in equipment, or to provide for every possible contingency to be met in connection with installation, operation or maintenance. Should further information be desired or should particular problems arise, which are not covered sufficiently for the purchaser's purposes, the matter should be referred to the local Siemens sales office. The contents of this instruction manual shall not become part of or modify any prior or existing agreement, commitment or relationship. The sales contract contains the entire obligation of Siemens. The warranty contained in the contract between the parties is the sole warranty of Siemens. Any statements contained herein do not create new warranties or modify the existing warranty.

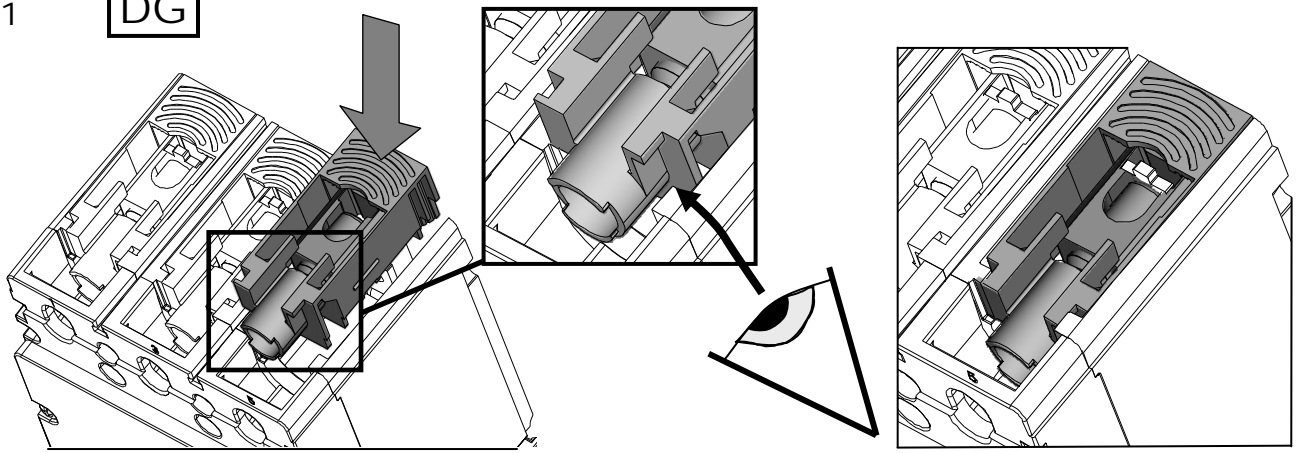
Trademarks - Unless otherwise noted, all names identified by ® are registered trademarks of Siemens AG or Siemens Industry, Inc. The remaining trademarks in this publication may be trademarks whose use by third parties for their own purposes could violate the rights of the owner.



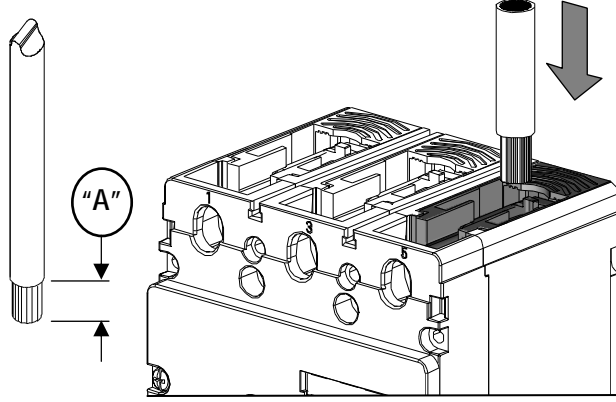
1 **DG - FG**



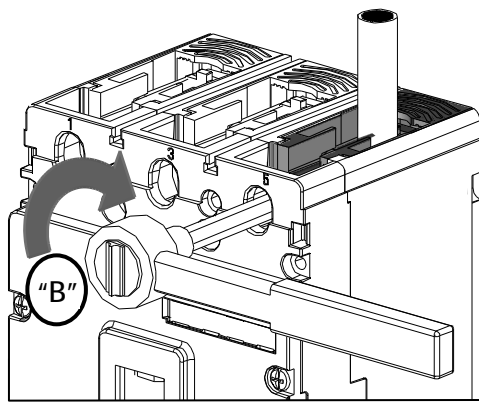
1 **DG**

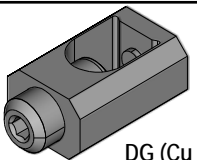


2



3



Wire Connector [Conexión del cable]	Wire Size [Rango Cable]	Req. UL 486A - 486B Wire Stranding (Cable)		Torque [esfuerzo de torsión]	Wire Strip Length [Quitar]
		CU / AL Class B	CU Class C	"B"	"A"
 DG (Cu / Al) TA1DG30 / 3VL9230-4TD01 3TA1DG30 / 3VL9230-4TD31	4 mm OR 5/32"	Cu / Al 6 - 1 AWG [16 - 35 mm ²]	7 STRANDS	19 STRANDS	50 lb.in. [5,5 Nm]
		Cu / Al 1/0 - 3/0 AWG [50 - 70 mm ²]	19 STRANDS	37 STRANDS	120 lb.in. [13,5 Nm]



Danger

Hazardous Voltage.
Will cause death or serious injury.

Turn off and lock out all power supplying this device before working on this device.
Replace all covers before power supplying this device is turned on.



Peligro

Tensión peligrosa.
Puede causar la muerte o lesiones graves.

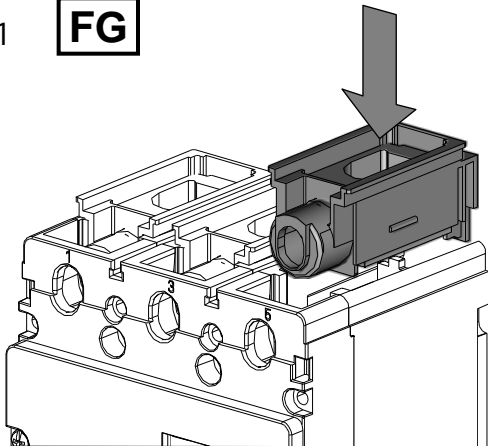
Desenergice totalmente antes de instalar o darle servicio.
Reemplace todas las barreras y cubiertas antes de energizar el interruptor.

Danger

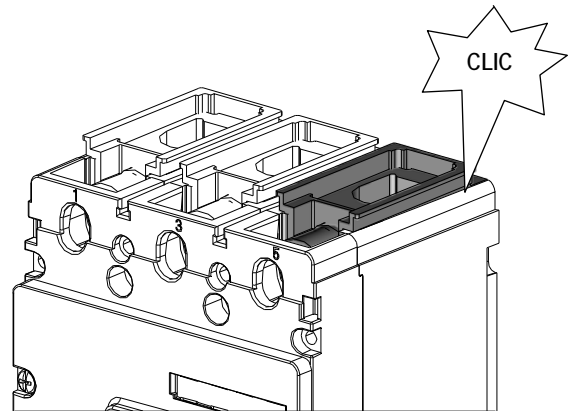
Tension dangereuse.
Danger de mort ou risque de blessures graves.

Couper l'alimentation de l'appareil et barrer avant de travailler.
Remplacez tous les couverts avant que l'alimentation de pouvoir soit alimenté.

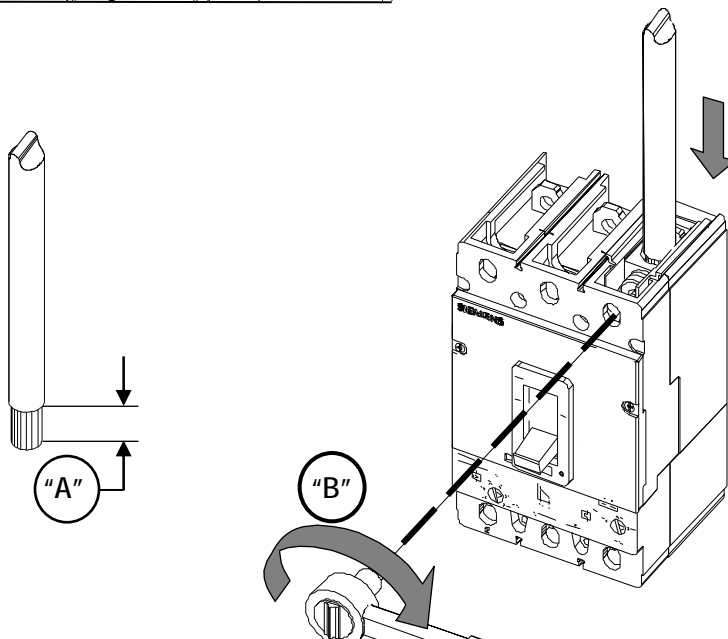
1 **FG**

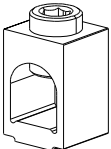


2

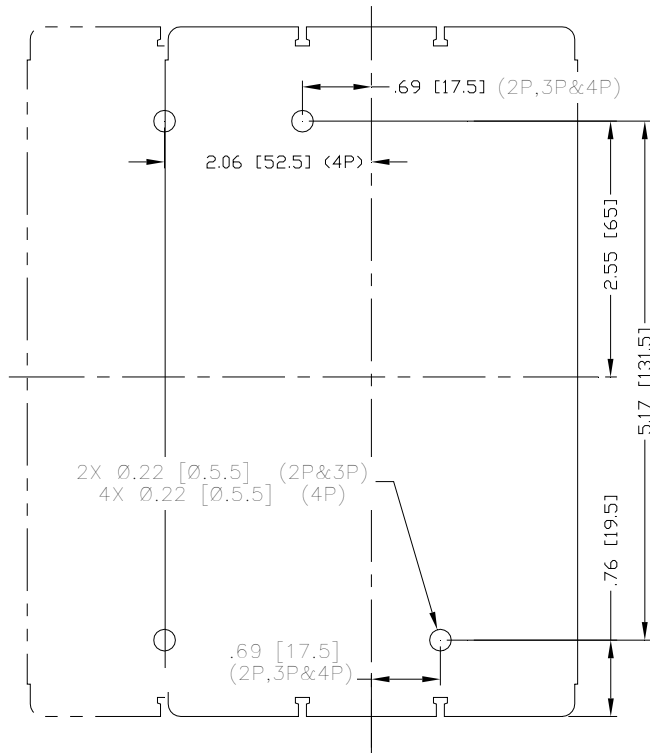


3



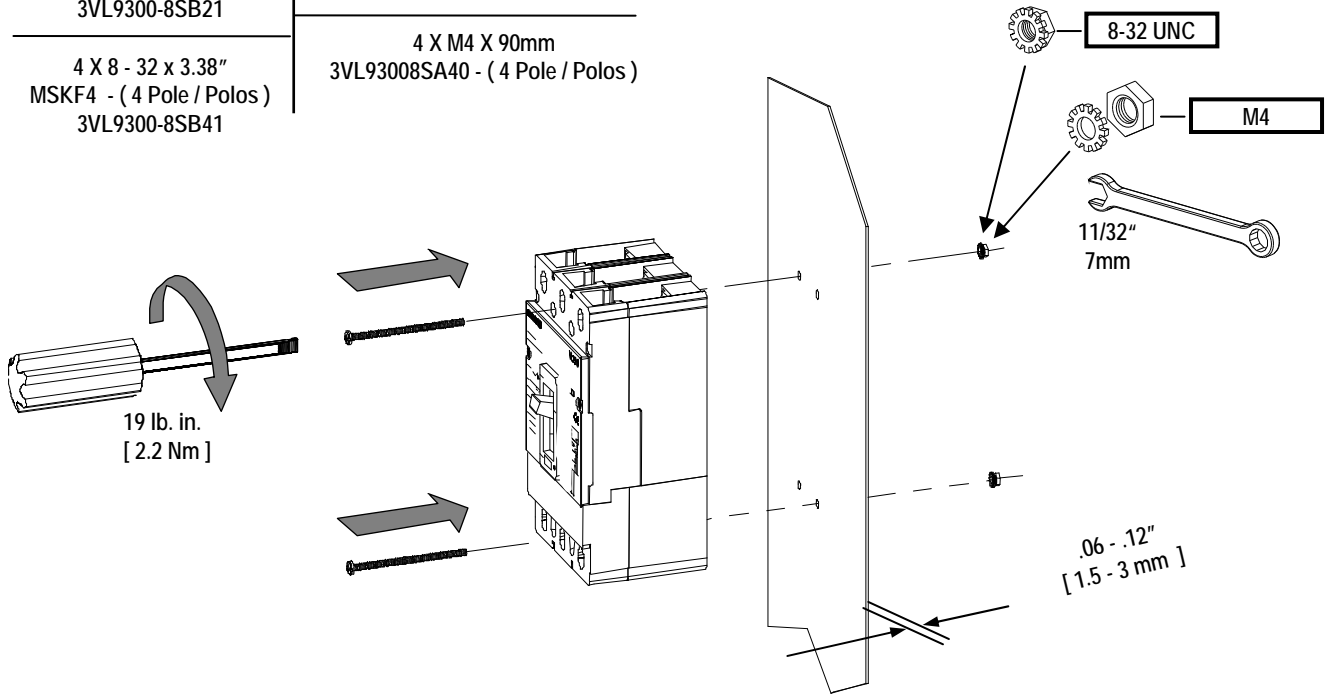
Wire Connector [Conexión del cable]	Wire Size [Rango Cable]	UL 486A - 486B Req. Wire Stranding (Cable)		Torque [esfuerzo de torsión]	Wire Strip Length [Quitar]
		CU / AL Class B	CU Class C	"B"	"A"
 TAW1FG350 / 3VL9335-4TD01 3TAW1FG350 / 3VL9335-4TD31	Cu / Al 4 AWG	7 STRANDS	19 STRANDS	150 lb.in. [17 Nm]	.87" [22 mm]
	Cu / Al 3 - 1 AWG [25 - 35 mm ²]	7 STRANDS	19 STRANDS	200 lb.in. [23 Nm]	
	Cu / Al 1/0 - 4/0 AWG [70 - 95 mm ²]	19 STRANDS	37 STRANDS	275 lb.in. [31 Nm]	
	250 - 350 kcmil [120 - 150 mm ²]	37 STRANDS	61 STRANDS		

DG - FG



General information:
[Información General:]

U.S. Cat. No.	Euro Order No.
2 X 8 - 32 x 3.38" MSKF2 - (2 + 3 Pole / Polos) 3VL9300-8SB21	2 X M4 X 90mm 3VL93008SA20 - (2 + 3 Pole / Polos)
4 X 8 - 32 x 3.38" MSKF4 - (4 Pole / Polos) 3VL9300-8SB41	4 X M4 X 90mm 3VL93008SA40 - (4 Pole / Polos)





Danger

Hazardous Voltage.
Will cause death or serious injury.

Turn off and lock out all power supplying this device before working on this device.
Replace all covers before power supplying this device is turned on.

Peligro

Tensión peligrosa.
Puede causar la muerte o lesiones graves.

Desenergice totalmente antes de instalar o darle servicio. Reemplace todas las barreras y cubiertas antes de energizar el interruptor.

Danger

Tension dangereuse.
Danger de mort ou risque de blessures graves.

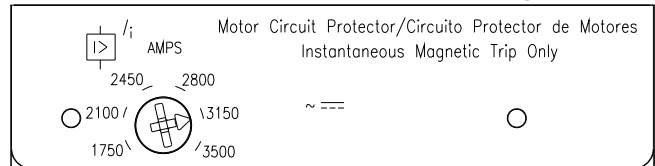
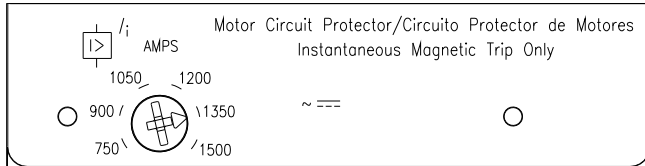
Couper l'alimentation de l'appareil et barrer avant de travailler.
Remplacez tous les couverts avant que l'approvisionnement de pouvoir soit alimenté.

DG

EX: HDM3M150L
[3VL2115-2KK30-0AA0]

FG

EX: HFM3H250L
[3VL3125-2KL30-0AA0]



VL Motor Circuit Protector (MCP)		
Motor Full Load Amps	Trip Switch Setting (A)	Catalog Number
35 - 50	450	HDM3L150L [3VL2115-2KJ30-0AA0] 150 Amp
42 - 60	540	
48 - 70	630	
55 - 80	720	
62 - 90	810	
69 - 100	900	HDM3M150L [3VL2115-2KK30-0AA0] 150 Amp
58 - 83	750	
69 - 100	900	
81 - 117	1050	
92 - 133	1200	
104 - 150	1350	
(115 - 150) See Footnote ①	1500	
96 - 139	1250	HDM3H150L [3VL2115-2KL30-0AA0] 150 Amp
(115 - 150) See Footnote ①	1500	
(135 - 150) See Footnote ①	1750	
(135 - 150) See Footnote ①	2000	
(135 - 150) See Footnote ①	2250	
(135 - 150) See Footnote ①	2500	
46 - 67	600	HFM3L250L [3VL3125-2KJ30-0AA0] 250 Amp
55 - 80	720	
65 - 93	840	
74 - 107	960	
83 - 120	1080	
92 - 133	1200	HFM3M250L [3VL3125-2KK30-0AA0] 250 Amp
77 - 111	1000	
92 - 133	1200	
108 - 156	1400	
123 - 178	1600	
138 - 200	1800	
154 - 222	2000	
135 - 194	1750	HFM3H250L [3VL3125-2KL30-0AA0] 250 Amp
162 - 210	2100	
188 - 220	2450	
215 - 241	2800	
(242 - 250) See Footnote ①	3150	
(242 - 250) See Footnote ①	3500	

① -These settings are provided for starting currents greater than 11X but not to exceed 17X. Full Load Amps (FLA) not to exceed ampere rating of MCP.

For Support in Europe refer to :

Bestell-Nr. / Order No.: 3ZX1012-0VL68-3BA0

Internet: www.siemens.de/lowvoltage/technical-assistance

GWA 4NEB 179 6953-10 DS 05

Technical Support:

Toll Free: 1-800-241-4453

Internet: www.usa.siemens.com/powerdistribution

Subject to change without prior notice
Siemens Industry, Inc., Norcross, GA 30092 U.S.A.

© Siemens Industry Inc. 2010