


## Installation Instructions

	<b>⚠ DANGER</b>
	<b>Hazardous Voltage.</b> Will cause death or severe injury. <b>Turn off and lock out all power before installing or servicing.</b>

<b>⚠ SAFETY INSTRUCTIONS</b>
------------------------------

NOTE: This instruction outlines the recommended installation procedure.

### 1. General Product Information

The ED frame current limiting circuit breaker line includes Types CED6 2 and 3 Pole Circuit Breakers; Type CED6 ETI Motor Circuit Interrupters 3 Pole; Types CED6 Molded Case Switches 2 and 3 Pole. These devices are rated 15A. to 125A. continuous current and are available for use at operating voltages at 600 V.A.C., 50/60 Hz., 500 V.D.C.

NOTE: Molded Case Switches are available as 100 A. and 125 A. ratings only, and are not provided with a "Push-to-Trip" button. In addition, Type CED6 ETI Motor Circuit Interrupters are available with ratings down to 1 A.

For this publication, the term Circuit Breaker also includes Molded Case Switches and Motor Circuit Interrupters.

### 2. Installation

ED-frame current limiting circuit breakers are for use in individual enclosures, panelboards, switch boards or other approved equipment.

The installation procedure consists of inspecting, attaching required accessories, mounting the circuit breaker, and connecting and torquing the line and load wire connectors.

Mounting hardware and wire connectors (where required) are available as separate catalog items.

NOTE: Accessory installation must be completed before the circuit breaker is mounted and connected. (See installation instructions supplied with accessory before proceeding).



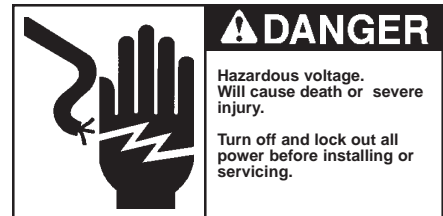
Fig. 1

### Installation (con't)

- Turn off and lock out all power before installing or servicing.
- Make sure that the current limiting circuit breaker is suitable for the installation by comparing nameplate ratings with system requirements. Inspect the circuit breaker for completeness and check for any damage before mounting.

NOTE: Before mounting the circuit breaker, install the wire connectors. Follow the instructions supplied with the appropriate kit.

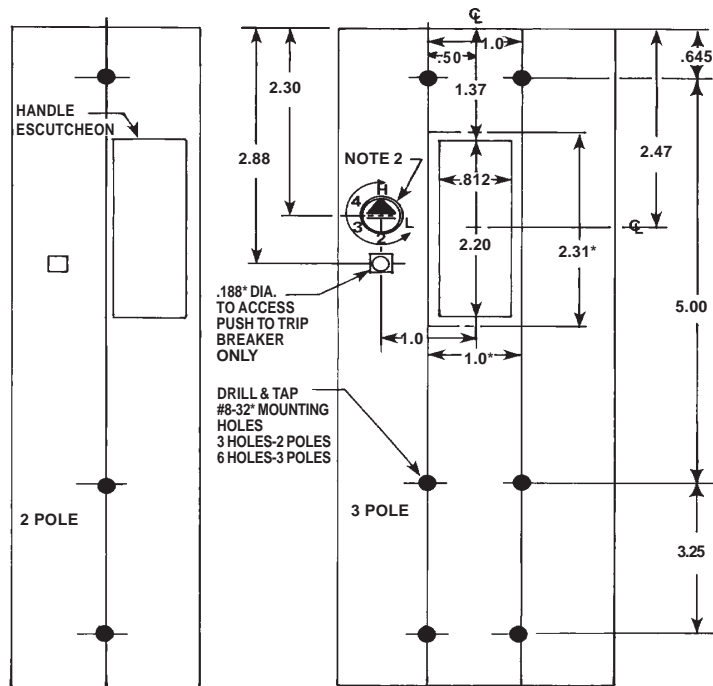
- The circuit breaker must be in the "Tripped" or "OFF" position prior to mounting.



# Installation Instructions

CURRENT LIMITING  
 CIRCUIT BREAKER  
 MOUNTING HOLE  
 AND  
 HANDLE ESCUTCHEON  
 CUT OUT DIAGRAM

NOTE:  
 1\* RECOMMENDED  
 DIMENSIONS  
 2 0.38" DIA. HOLE  
 TO ACCESS ETI  
 INSTANTANEOUS TRIP  
 ADJUSTMENT. 3 POLE  
 ETI ONLY. SEE FIG. 4



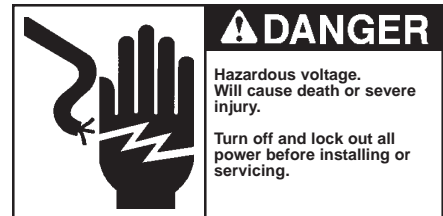
**Fig. 2**

D. To mount the circuit breaker, perform the following steps:

1. For individual enclosures, panelboards and switchboards manufactured by Siemens Energy and Automation, Inc., follow the instructions provided with this equipment.
2. For those applications where mounting is on a flat surface of the customers equipment, drill and tap mounting bolt holes according to the drilling plan in Fig. 2. For handle escutcheon cut out plans refer to Fig. 2.
3. If circuit breaker contains accessories, make sure terminals can be connected when the circuit breaker is mounted.
4. Position circuit breaker on mounting surface.
5. Install mounting screws and washers from kit Catalog Number MSE6. Torque mounting hardware to 12-15 in-lbs. ( Note: MSE6 contains only 4 screws)
6. After mounting the circuit breaker, line and load terminals and accessory terminals should be connected.

NOTE: When aluminum conductors are used, the application of a suitable joint compound is recommended to reduce the possibility of terminal overheating.

7. After the circuit breaker is installed, check all mounting hardware for secureness. Check wire connectors for correct torque requirements. Torque values for line and load connectors are provided on the circuit breaker name plate.



# Installation Instructions

### 3. Manual Operation

Manual operation of the current limiting circuit breaker is controlled by the circuit breaker handle and the PUSH-TO-TRIP button. The circuit breaker handle has three indicating positions, two of which are molded into the handle to indicate ON and OFF. The third position indicates a TRIP position and is between the ON and OFF position. (See Fig. 3)

#### A. Current Limiting Circuit Breaker Reset

After tripping, the circuit breaker is reset by moving the circuit breaker handle to the reset position and then moving the handle to the ON position.

NOTE: In the event of a thermal trip, the circuit breaker cannot be reset until the thermal element cools.

#### B. PUSH-TO-TRIP Button

The PUSH-TO-TRIP button checks the tripping function and is used to manually exercise the operating mechanism. (PUSH-TO-TRIP button not provided on switch)

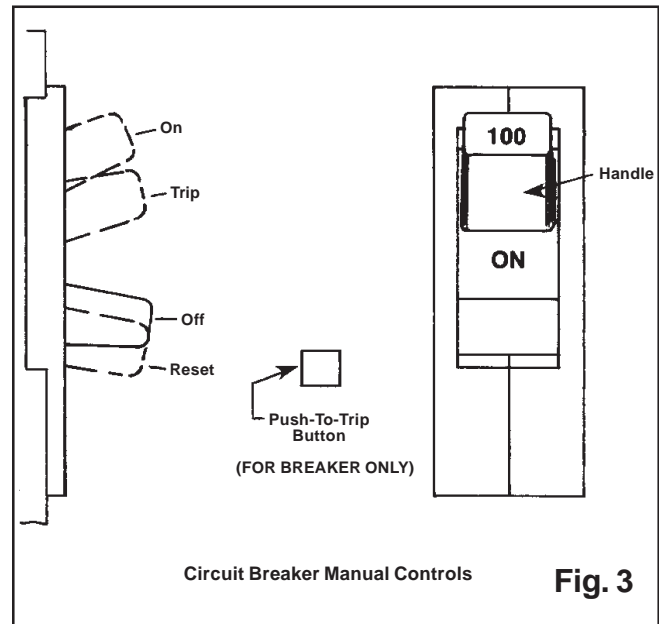
### 4. Inspection and Field Testing

ED-frame current limiting circuit breakers are designed to provide years of maintenance free service. The following procedure outlines how to inspect and test a circuit breaker in service.

#### Inspection and Maintenance

Circuit breakers in service should be inspected periodically. The inspection should include the following steps:

- A. Turn off and lock out power before inspecting or servicing. Special attention should be paid to reverse feed applications to ensure no voltage is present.
- B. Remove dust, dirt, soot, grease or moisture from the surface of the circuit breaker using a lint free cloth brush or vacuum cleaner. DO NOT blow debris into the circuit breakers. If contamination is found, eliminate the source of the problem.  
  
NOTE: Do not spray or allow any petroleum based chemicals, solvents or paints to contact the inside or outside of breaker or electrical connections.
- C. Switch the circuit breaker to the ON and OFF positions several times to be sure the mechanical linkages are free and do not bind. If mechanical linkages are not free, replace the circuit breaker.



- D. Press the PUSH-TO-TRIP button to mechanically trip the circuit breaker. Trip, reset, and switch the breaker on several times. If the circuit breaker cannot be turned on replace the circuit breaker.
- E. Check circuit breaker housing and handle for cracks, chipping and discoloration. Circuit breakers should be replaced if cracks or severe discoloration is found.
- F. Check terminals and wire connectors for looseness or signs of overheating. Overheating will show as discoloration, melting or blistering of conductor insulation, or as pitting or melting of conductor surfaces due to arcing. If there is no evidence of overheating or looseness, do not disturb or tighten the connections. If there is evidence of overheating, terminations should be replaced. Before re-energizing the circuit breaker, all wire connectors and cable should be refurbished to the original installed condition.



# Installation Instructions

- G. Check circuit breaker mounting hardware. Tighten if necessary.
- H. Check area where circuit breaker is installed for any safety hazards, including personal safety and fire hazards. Exposure to certain types of chemicals can cause deterioration of electrical connections.

**Field Testing**

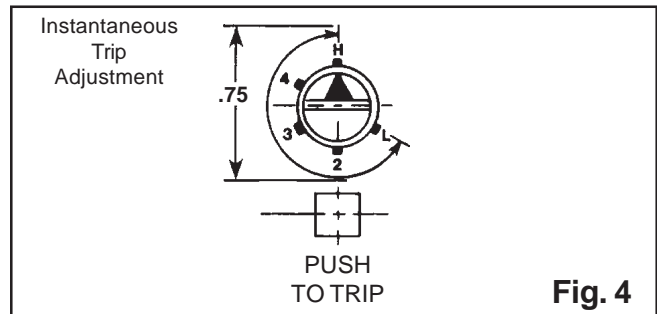
Any field testing should be conducted in accordance with NEMA Standards Publication AB2.

### 5. Adjustment procedures for CED6 ETI Motor Circuit Interrupter.

- A. Determine the Motor Full Load Amperes from the motor nameplate or table 430-150 of N.E.C. (1987).
- B. Use Table 1 for suggested device catalog number and adjustment setting.
- C. Adjust the instantaneous button by rotating to the desired setting determined above (Ref. Fig. 4).

ETI instantaneous-trip circuit breakers are recommended for use in combination motor starters to provide selective short-circuit protection for the motor branch circuit. The adjustable instantaneous-trip feature of the ETI circuit breaker provides for a trip setting slightly above the peak motor-inrush current. With this setting, no delay is introduced in opening the circuit when a fault occurs. This circuit breaker has no time-delay trip element. Therefore it must be used in conjunction with, and immediately ahead of, the motor-running overcurrent protective device.

The recommended ETI instantaneous only circuit breakers listed in Table 1 have continuous-current ratings of at least 115% of motor full-load currents. The trip-setting positions are approximately 11 times motor full-load currents. The suggested trip settings, and in some cases, the allowable maximum setting of 1300% of motor full load current may not be sufficient to get "energy efficient" motors on line. (When Breaker is Mounted Immediately Ahead of Motor Starter) 3 Phase Induction Type Motors (ETI circuit breakers for branch circuit use with alternating-current combination, full voltage motor starters).



**TABLE 1**

Motor Full Load Amperes	Catalog Number	ETI Trip Setting	
		Adjustment	Amperes
.20-- .33 .34-- .45 .46-- .56 .57-- .68 .69-- .81	CED63A001	Low	2.6
		2	4.5
		3	6
		4	7.5
		High	9
.53-- .83 .84-- 1.14 1.15-- 1.45 1.46-- 1.68 1.69-- 2.00	CED63A002	Low	7
		2	11
		3	15
		4 High	19 22
.76-- 1.29 1.30-- 1.75 1.76-- 2.29 2.30-- 2.68 2.69-- 3.18	CED63A003	Low	10
		2	17
		3	23
		4 High	30 35
1.23-- 1.99 2.00-- 2.75 2.76-- 3.52 3.53-- 4.14 4.15-- 4.90	CED63A005	Low	16
		2	26
		3	36
		4 High	46 54
2.30-- 3.83 3.84-- 5.37 5.38-- 6.52 6.53-- 7.68 7.69-- 9.10	CED63A010	Low	30
		2	50
		3	70
		4 High	85 100
4.23-- 6.91 6.92-- 9.61 9.62-- 11.91 11.92-- 13.83 13.84-- 16.40	CED63A025	Low	55
		2	90
		3	125
		4 High	155 180
6.15-- 10.37 10.38-- 14.22 14.23-- 18.06 18.07-- 20.75 20.76-- 24.50	CED63A030	Low	80
		2	135
		3	185
		4 High	235 270
8.84-- 14.22 14.23-- 19.60 19.61-- 24.99 25.00-- 28.83 28.84-- 34.00	CED63A040	Low	115
		2	185
		3	255
		4 High	325 375
13.84-- 23.06 23.07-- 31.52 31.53-- 39.99 40.00-- 46.14 46.15-- 54.50	CED63A050	Low	180
		2	300
		3	410
		4 High	520 600
24.23-- 41.52 41.53-- 56.91 56.92-- 68.45 68.46-- 76.91 76.92-- 90.90	CED63A100	Low	315
		2	540
		3	740
		4 High	890 1000
38.46-- 55.37 55.38-- 70.75 70.76-- 84.60 84.61-- 96.14 96.15-- 113.60	CED63A125	Low	500
		2	720
		3	920
		4 High	1100 1250