

Catalog Number: MM0202B1200JLX

Features and Ratings

- UL Listed
- 200A Continuous Rating, Type HQ
Lever Bypass Meter Socket
- For Overhead or Underground Service
- 200A Main Breaker Factory Installed
- 5th Jaw Factory Installed in 9 O'Clock Position

Hubs

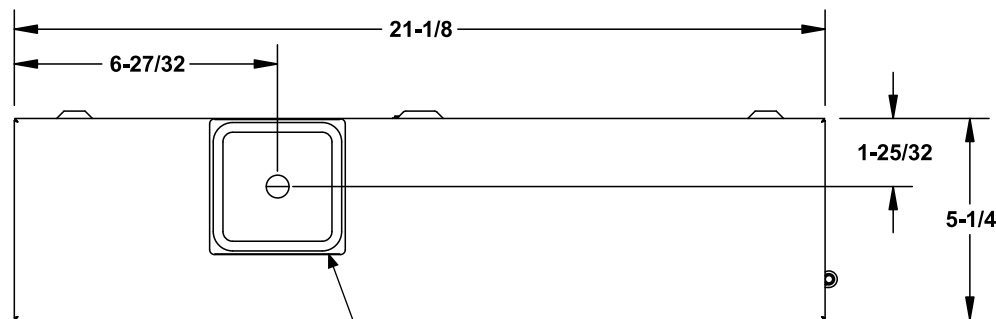
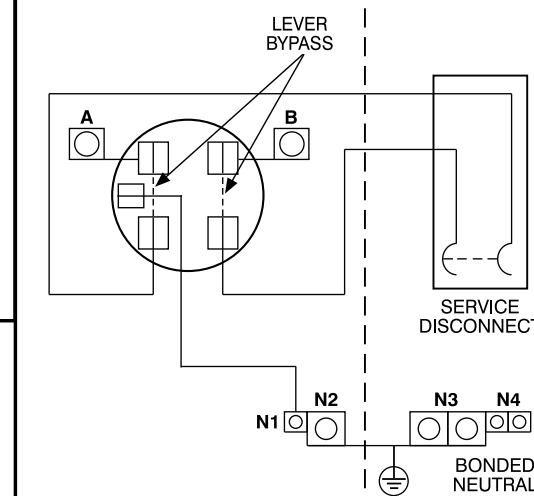
Trade size (in)	Catalog number
<i>RX Type Hub (top endwall)</i>	
1 1/4"	EC38597
1 1/2"	EC38598
2"	EC38599
2 1/2"	EC38600
<i>HC Type Hub (bottom endwall)</i>	
2"	ECHC200
2 1/2"	ECHC250
3"	ECHC300

Wire Sizes and Torques

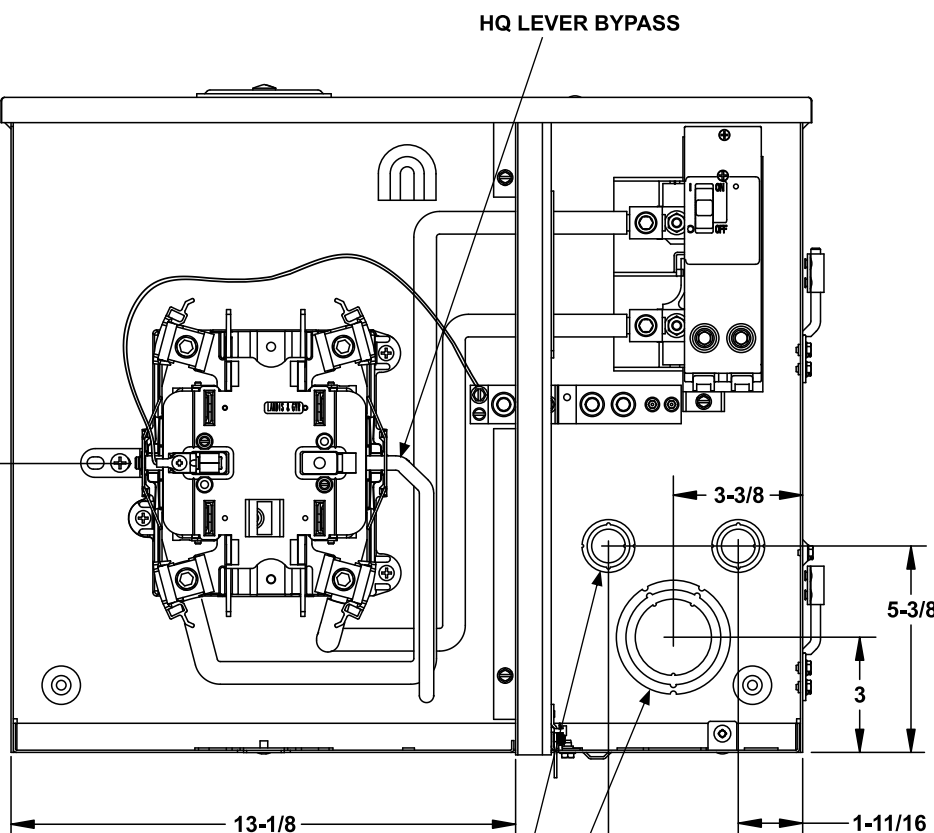
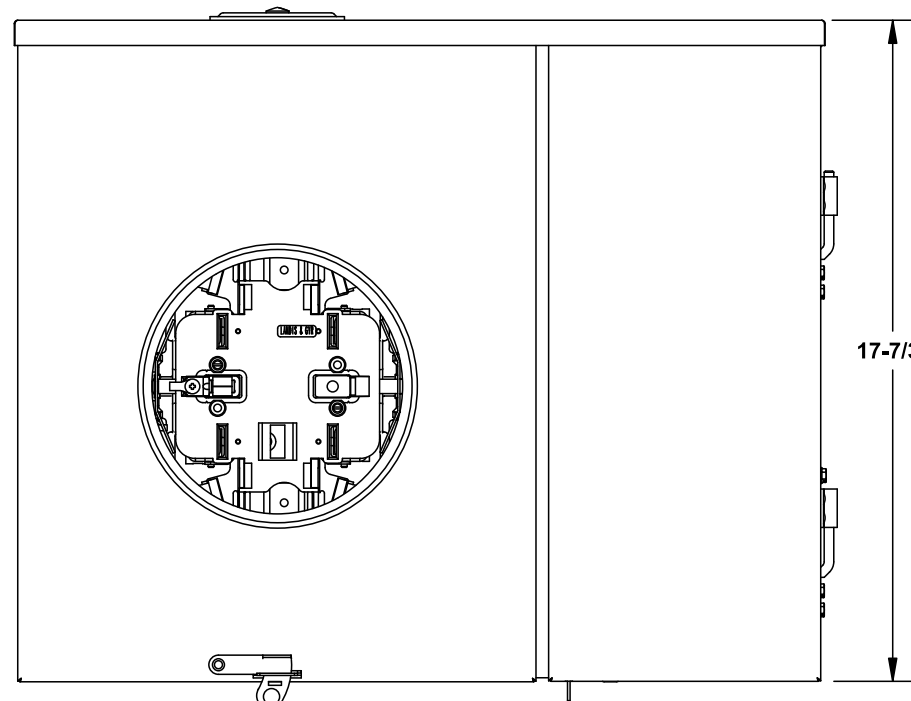
(see schematic)

Terminal	Wire Size	Torque
A, B	250 kcmil - #6	275 lb in
N1	#2-#3	50 lb in
	#4-#6	45 lb in
N2	#8	40 lb in
	#10-#14	35 lb in
N3	250 kcmil - #6	275 lb in
N4	250 kcmil - #4	275 lb in
N4	1/0-#14	120 lb in

Schematic



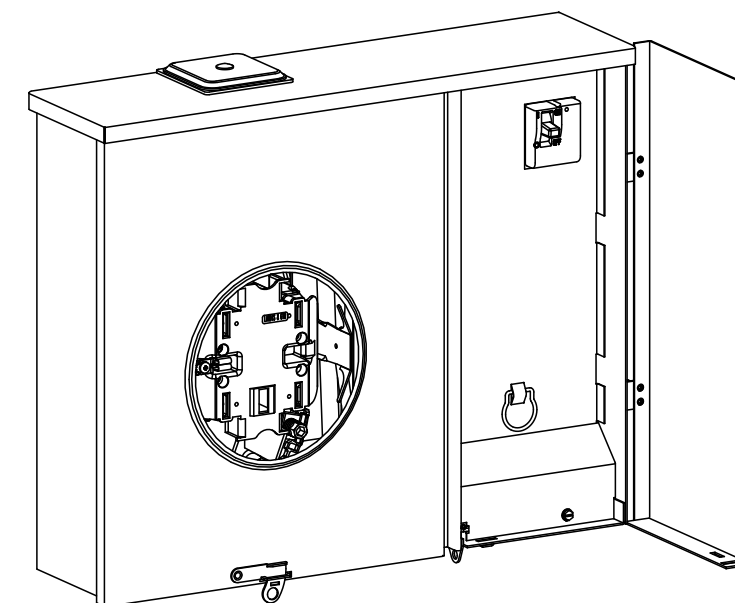
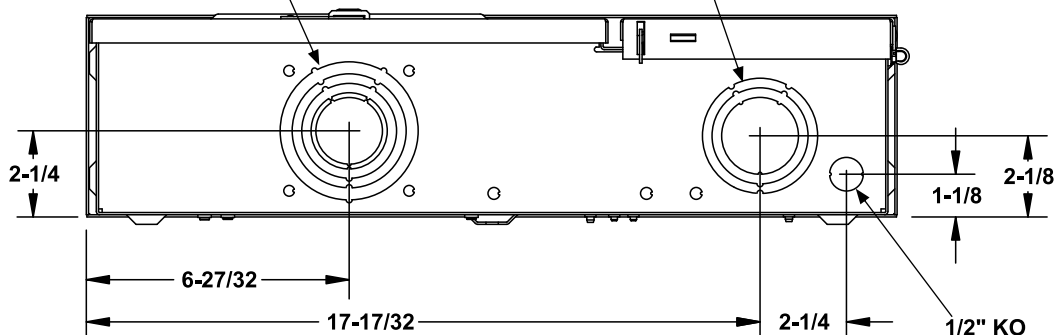
RX HUB OPENING (2-1/2" MAX. CONDUIT)
COVER PLATE PROVIDED



VIEW SHOWN WITH DEADFRONT
AND COVERS REMOVED

3", 2-1/2", 2", 1-1/2", 1-1/4" KO
Provision for HC Type Hub

2-1/2", 2", 1-1/2" KO



© 2019 Copyright Siemens Industry, Inc.

SIEMENS
Siemens Industry, Inc.

Meter/Main Breaker Combination

Description:
200A 0202 HQ Lever Bypass OH/UG

KAM 4/1/19 DO NOT SCALE DRAWING Dwg. No. **MM0202B1200JLX**