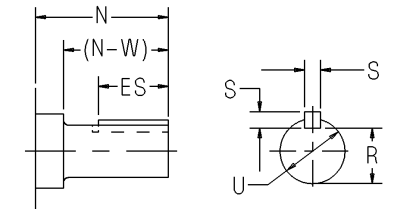
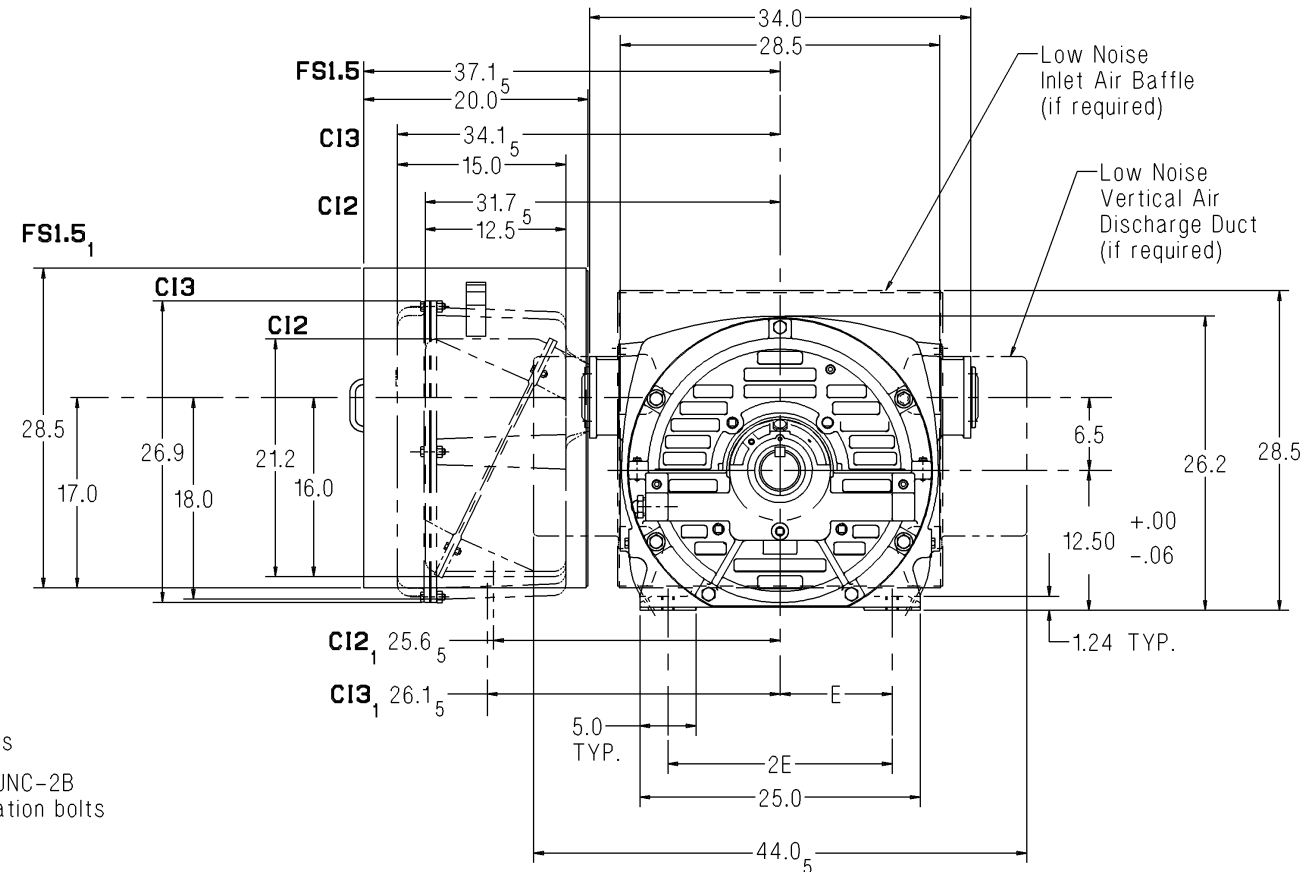
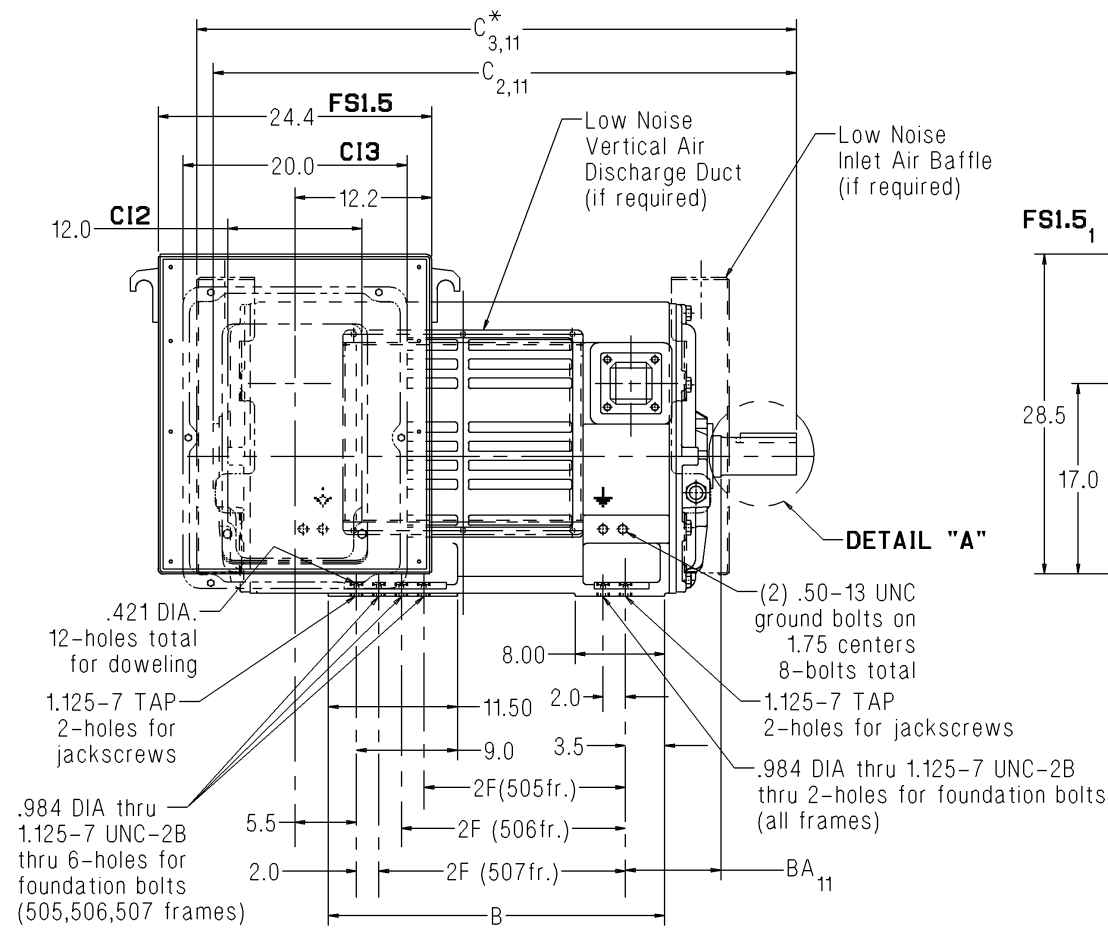


SIEMENS

Dimension Prints for Above NEMA Motors

Type NCG – Horizontal – Open Drip Proof / Weather Protected Type I
Sleeve Bearing – Direct Connected
Frames 505 / 506 / 507 – Rotatable Main Conduit Box



DETAIL "A"

Notes:

- Main conduit box may be rotated in steps of 90°. A removable bottom plate is supplied on the FS1.5 conduit box. A 5.0 N.P.T. is supplied on the CI2 and CI3 conduit boxes.
- C = Length of motor from drive end of shaft to end of non-drive end of motor.
- C* = Length of motor from drive end of shaft to edge of low noise inlet air baffle.
- V = (N-W)-0.25" = length of shaft available for coupling.
- Adding a low noise vertical air discharge duct requires a 6.0" spacer for all rotatable conduit boxes. All associated conduit box dimensions will change accordingly.
- 2 Pole machines may rotate in one direction only.
- Shims may be necessary under motor feet for direct connection.
- Rotor end float = 0.5"
- End float of LEF coupling = 0.19"
- Adding a rotating labyrinth seal to the drive end does not change any dimensions.
- When adding a ground brush, consult the factory. (BA, C, and C* will increase.)
- For motors equipped with provisions for proximity probes use this print for our standard internal mounting.

Lubrication Per Bearing	
2 Pole	4 Pole & Slower
140-160 SUS @ 100°F	290-350 SUS @ 100°F
1.4 qt. capacity	1.4 qt. capacity

Standard Dimensions in Inches

Shaft	Frame	Speed	B	BA ₁₁	C _{2,11}	C* _{3,11}	E	2F	N	(N-W)	R	S	U	V ₄	ES	Approx. Ship Wt. (Lbs)
Short	505S	2 Pole	30.0	8.50	50.6	53.5	10.00	18.0	5.95	5.25	2.275	0.625	2.625	5.00	3.5	3800
Short	505S	4 Pole & Slower	30.0	8.50	52.1	55.0	10.00	18.0	7.45	6.75	2.880	0.875	3.375	6.50	5.0	4100
Short	506S	2 Pole	30.0	8.50	50.6	53.5	10.00	20.0	5.95	5.25	2.275	0.625	2.625	5.00	3.5	3800
Short	506S	4 Pole & Slower	30.0	8.50	52.1	55.0	10.00	20.0	7.45	6.75	2.880	0.875	3.375	6.50	5.0	4100
Short	507S	2 Pole	30.0	8.50	50.6	53.5	10.00	22.0	5.95	5.25	2.275	0.625	2.625	5.00	3.5	3800
Short	507S	4 Pole & Slower	30.0	8.50	52.1	55.0	10.00	22.0	7.45	6.75	2.880	0.875	3.375	6.50	5.0	4100

Certification: Customer _____ P.O. _____ S.O. _____ Item _____
 HP _____ RPM _____ Frame _____ PH/HZ/Volts 3/_____/_____
 By _____ Date _____ Terminal Box Size CI2 CI3 FS1.5
 Comments _____
 Not for construction, installation or application purposes unless certified.

NCG_500_2plusPL_SLV_ROT
Revision 01
01/28/09