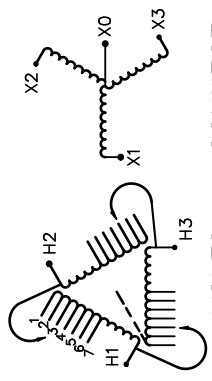


1	HCN:63824	16/08/30	PP	VERIF'D	
			PP	CHEK'D	
			PP	DRAWN	16/04/01

CUSTOMER		
ORDER NO.	DWG. NO.	1
	3F3Y112K4BCD16	SH 1 OF 2

Confidential - Property of
Siemens Industry, Inc.

SIEMENS

CATALOG NO. 3F3Y112K4BCD16 SERIAL NO. SERIES H 112.5 kVA 60 Hz 3 PHASE 3 % IMP AT 100 °C		 <p>VOLTS CONNECT</p> <p>504 492 480 468 456 444 432</p>	
80 °C RISE	30 °C AVG. AMBIENT	PRIMARY (H1 H2 H3)	480V V 10 kV BIL
220 °C TEMP CLASS	40 °C MAX. AMBIENT	SECONDARY(X0 X1 X2 X3)	208Y/120V V 10 kV BIL
WINDING MATERIAL		CU	
ENCLOSURE TYPE 3R		WEIGHT 990 LBS	
ENERGY EFFICIENCY EXCEEDS CSA C802.2-2012		DOE 10 CFR PART 431:2016	
SPACINGS BETWEEN ANY VENTILATED ENCLOSURE PANEL AND ANY ADJACENT WALL SHALL BE A MINIMUM OF 5 INCHES EXCEPT WHEN WALL MOUNTED USING APPROVED WALL MOUNTING KIT ELECTROSTATIC SHIELD			
SUITABLE FOR NONSINUSOIDAL CURRENT LOAD WITH K-FACTOR NOT TO EXCEED K-4 SUITABLE FOR INDOOR OR OUTDOOR LOCATIONS BEFORE HANDLING, INSTALLING AND OPERATING; SEE INSTRUCTION MANUAL			
NEMA Class ANN Dry Type Transformer		Siemens Industry, Inc. Norcross, GA 30092	

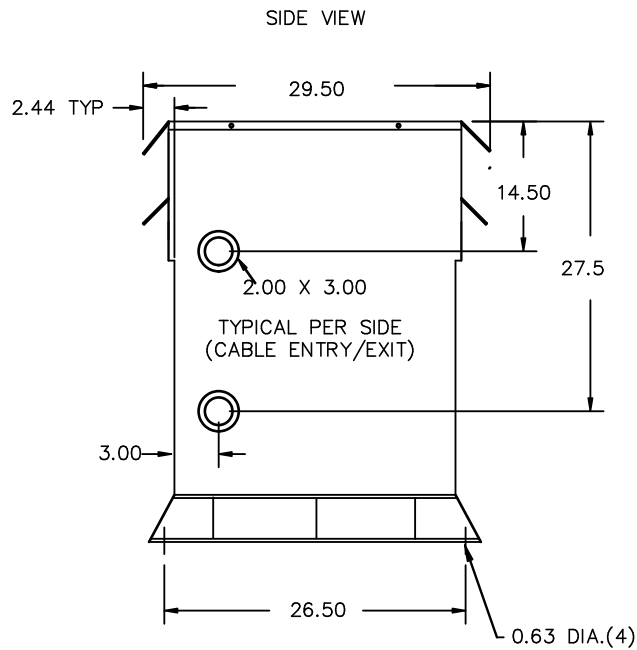
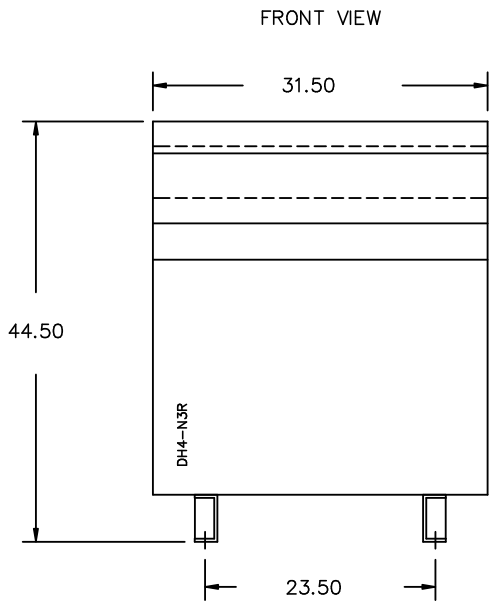


TYPE K

UL LISTED 7715 E112313

DRY TYPE TRANSFORMER LR 3902

SEISMIC QUALIFICATIONS, FLOOR MOUNT ONLY
OSP-0136-10 IBC 2012/ASCE 7-10
SDS<=2.0g z/h=1 Ip=1.5



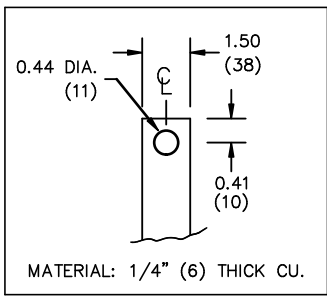
All Dimensions in inches

ENCLOSURE COLOR :ANSI 61 GREY – OUTDOOR

H.V.1. TERMINAL DETAIL

L.V.1. TERMINAL DETAIL

MECHANICAL TYPE LUGS INCLUDED
SUITABLE FOR 250MCM-6 CU/AL
CONDUCTORS
1 CONDUCTOR PER PHASE



CUSTOMER NOTES:

- HV1 TERMINATED AT TOP FRONT
- LV1 TERMINATED AT BOTTOM FRONT
- 2 X 100% RATED NEUTRAL PROVIDED

Confidential – Property of
Siemens Industry, Inc.

REVISION	DATE	BY	DATE	BY
			16/04/01	PP
1	16/08/30	PP		

CUSTOMER		
ORDER NO.	DWG. NO.	1
	3F3Y112K4BCD16	SH 2 OF 2