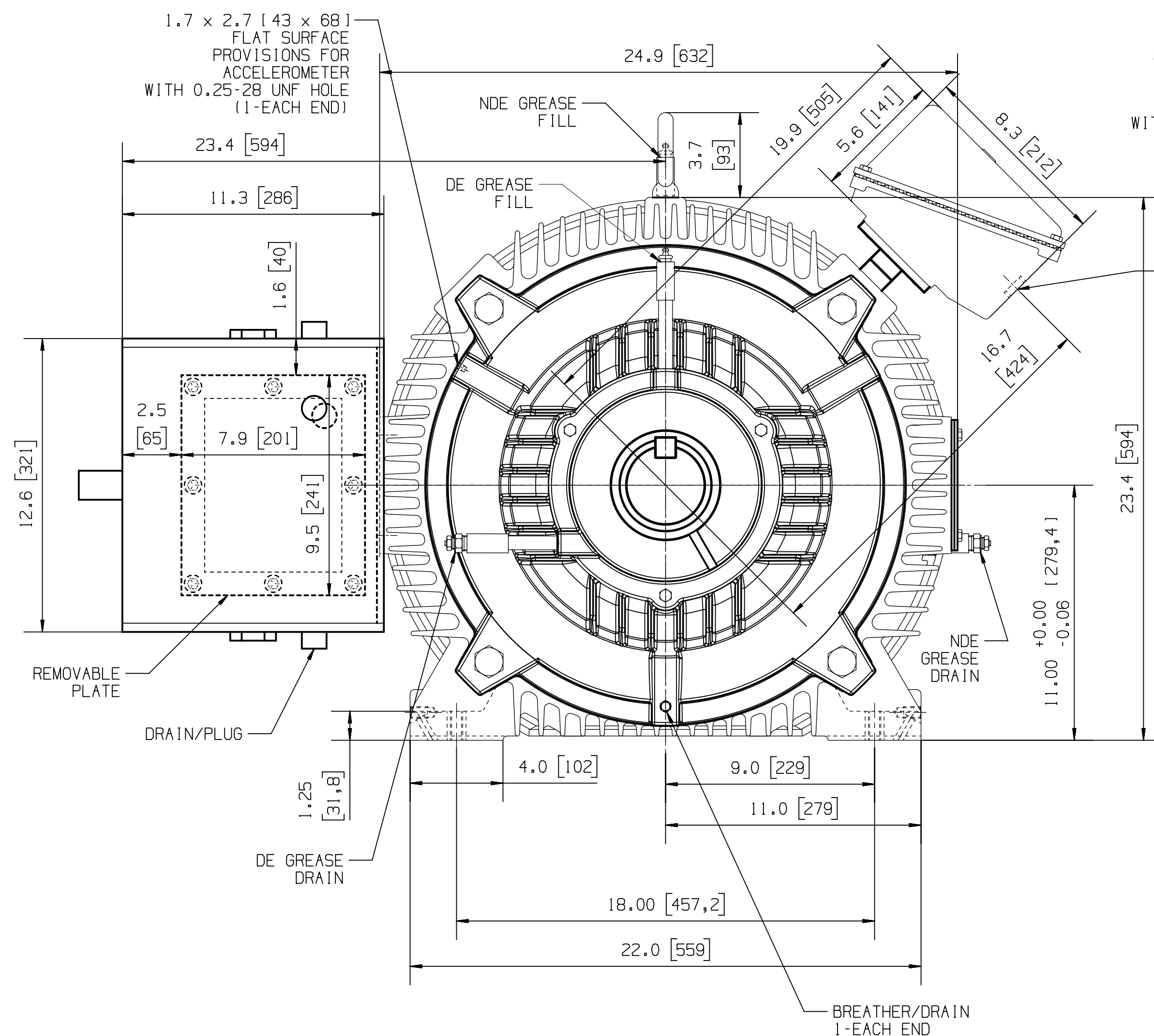
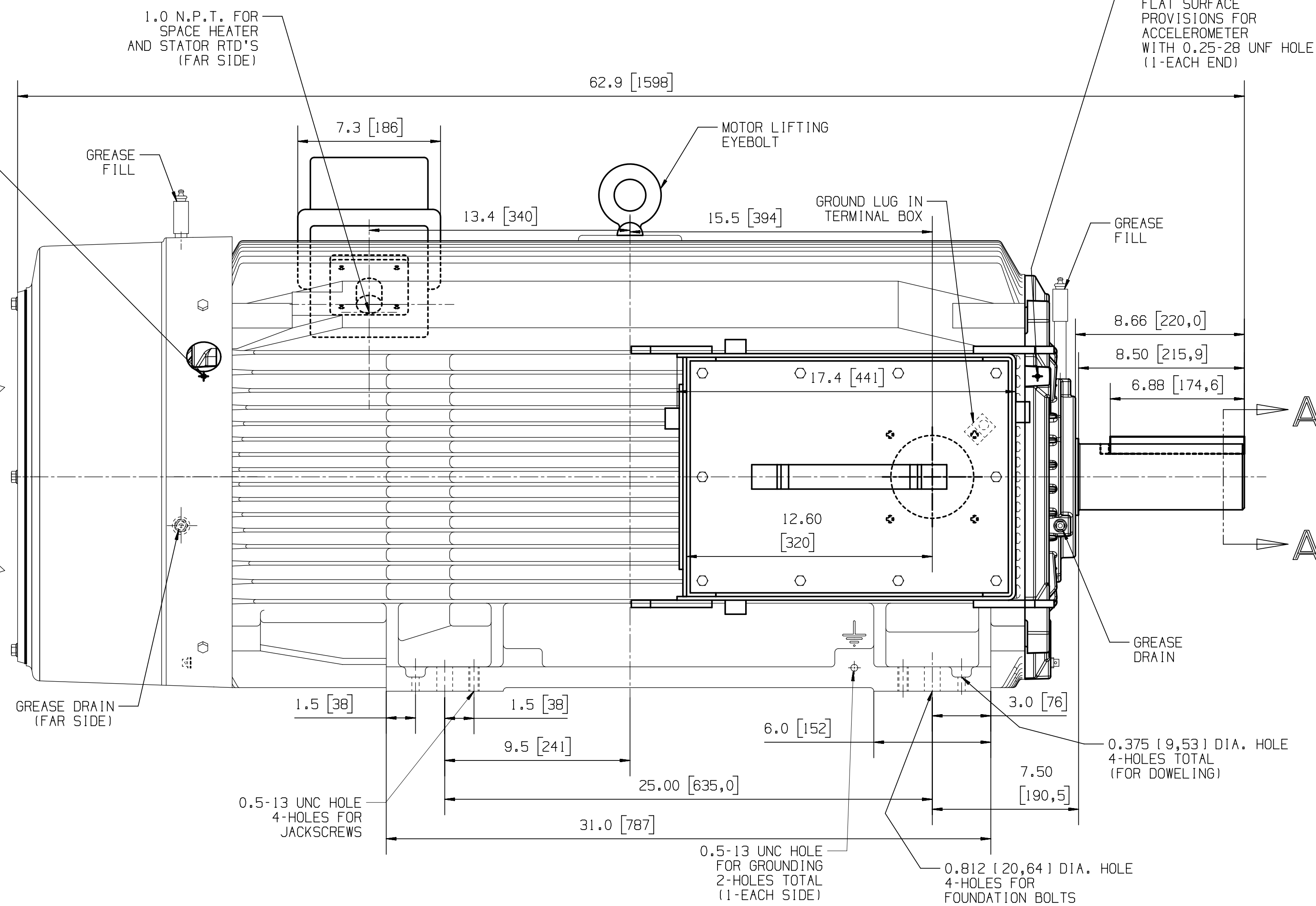


NOTES:

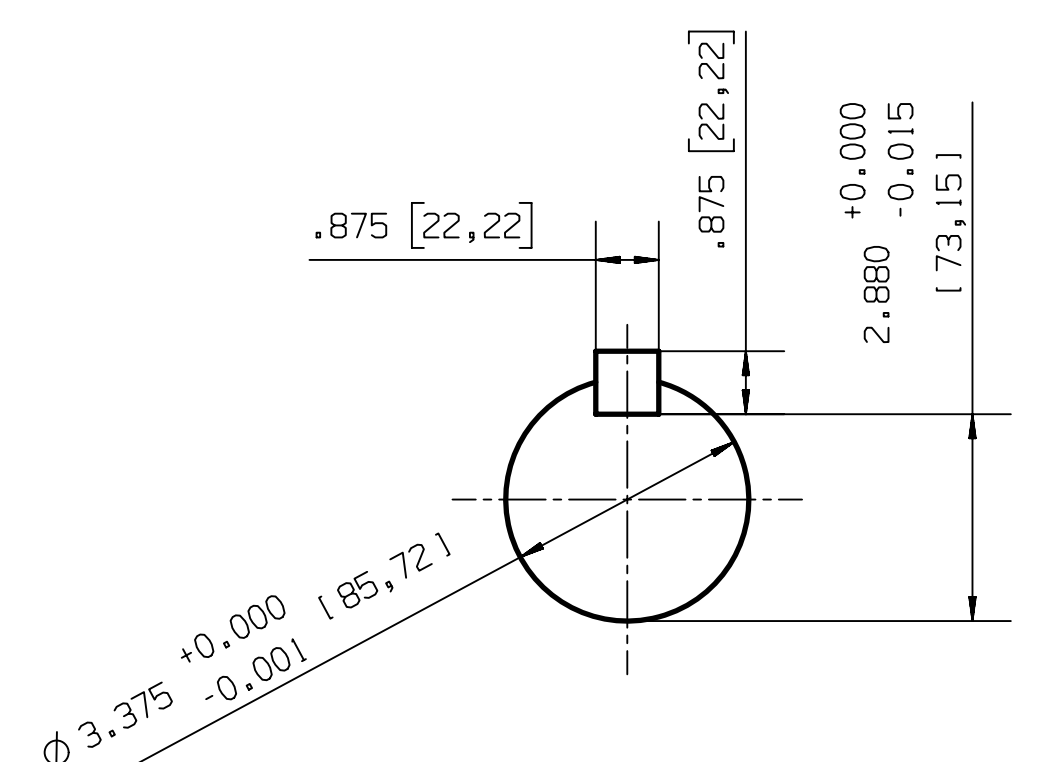
1. MAIN CONDUIT BOX MAY BE ROTATED IN STEPS OF 90°.
2. NON-DRIVE END BEARING IS INSULATED, INSULATE ANY CONNECTIONS TO THIS BEARING.
3. FOR RELUBRICATION OF BEARINGS, SEE LUBRICATION PLATE ON MOTOR.
4. FOR SAFETY PROCEDURES AND ALIGNMENT REQUIREMENTS, SEE INSTRUCTION MANUAL.
5. SEE ROTATION PLATE ON MOTOR FOR DIRECTION OF ROTATION. DIRECTION OF ROTATION IS VIEWED FROM THE DRIVE END.



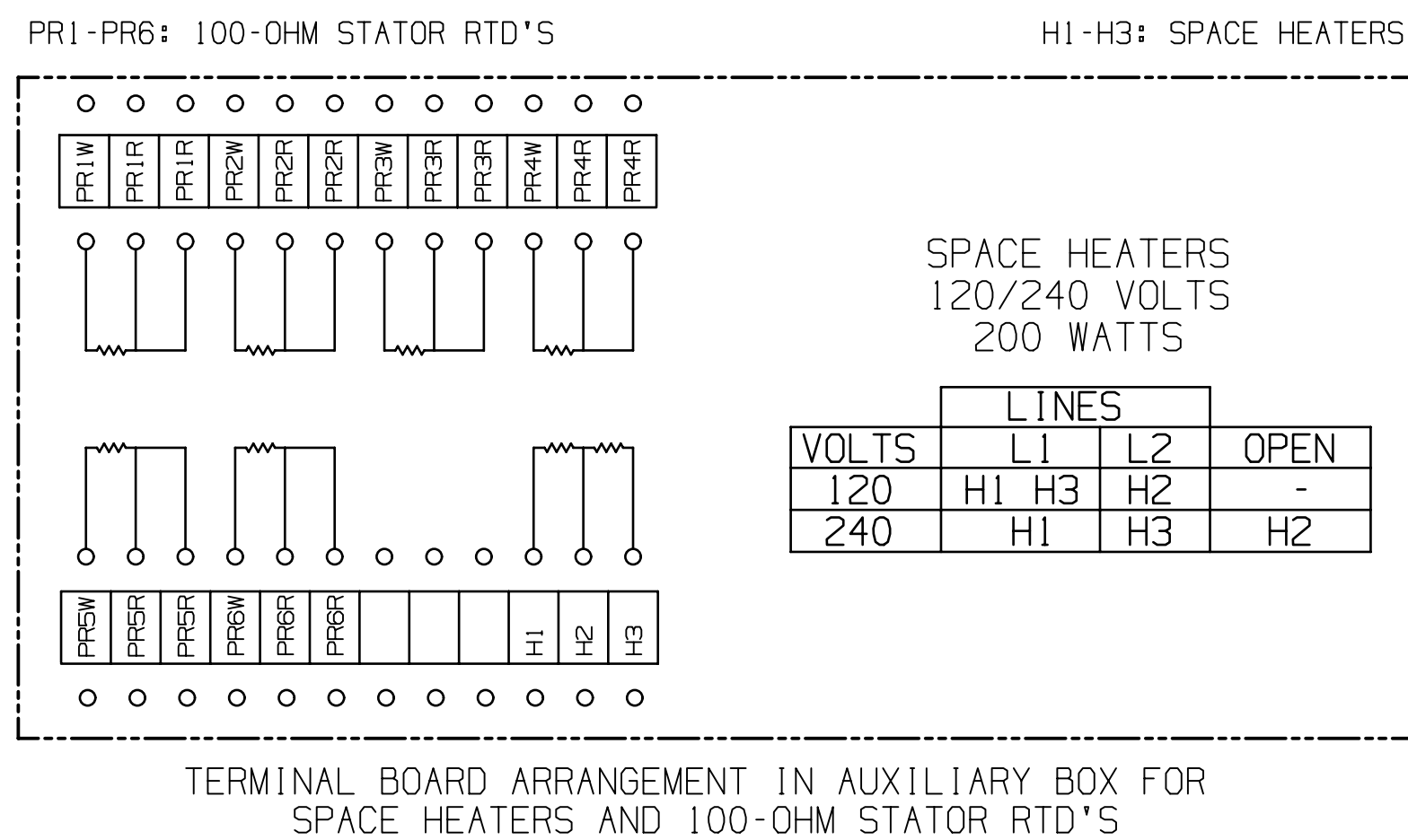
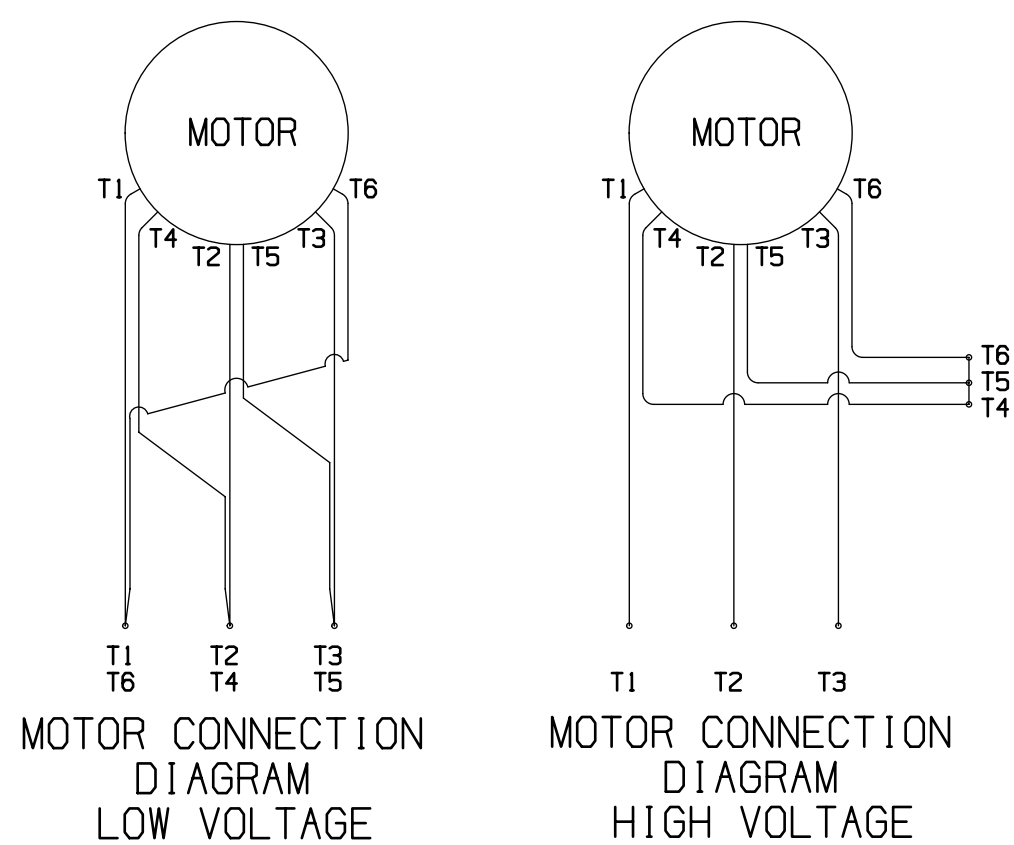
AIR INLET



RTD ALARM/SHUTDOWN DATA		
	ALARM	SHUTDOWN
STATOR	155°C	170°C



SECTION A-A



(AB) ADDED NOTE #5

SIEMENS CERTIFIED PRINT
CUSTOMER INITIATED CHANGES MAY AFFECT PRICE AND DELIVERY
PRODUCTION WILL PROCEED ON THE BASIS OF THIS DRAWING

FRAME	TYPE	VOLTS	PH	Hz
S449T	TEFC	2300/4000	3	60

Author	KANE	Product MLTBProduct-ID	Doc Type	TB / MB
Created	2018-06-01	Fortenbacher	Item No.	Paper Size
Approved	2018-06-04	Perez Cedeno	Doc No.	Doc Language
Department	PO LO AP MG R&D ANEMA 2		Revision	State
Change Order	PSA00279944		Doc No.	Doc Language
Doc State	Released		Revision	State
Revision	002		Doc No.	Doc Language
			Revision	State
			Doc No.	Doc Language
			Revision	State

SIEMENS 2017 - 2018