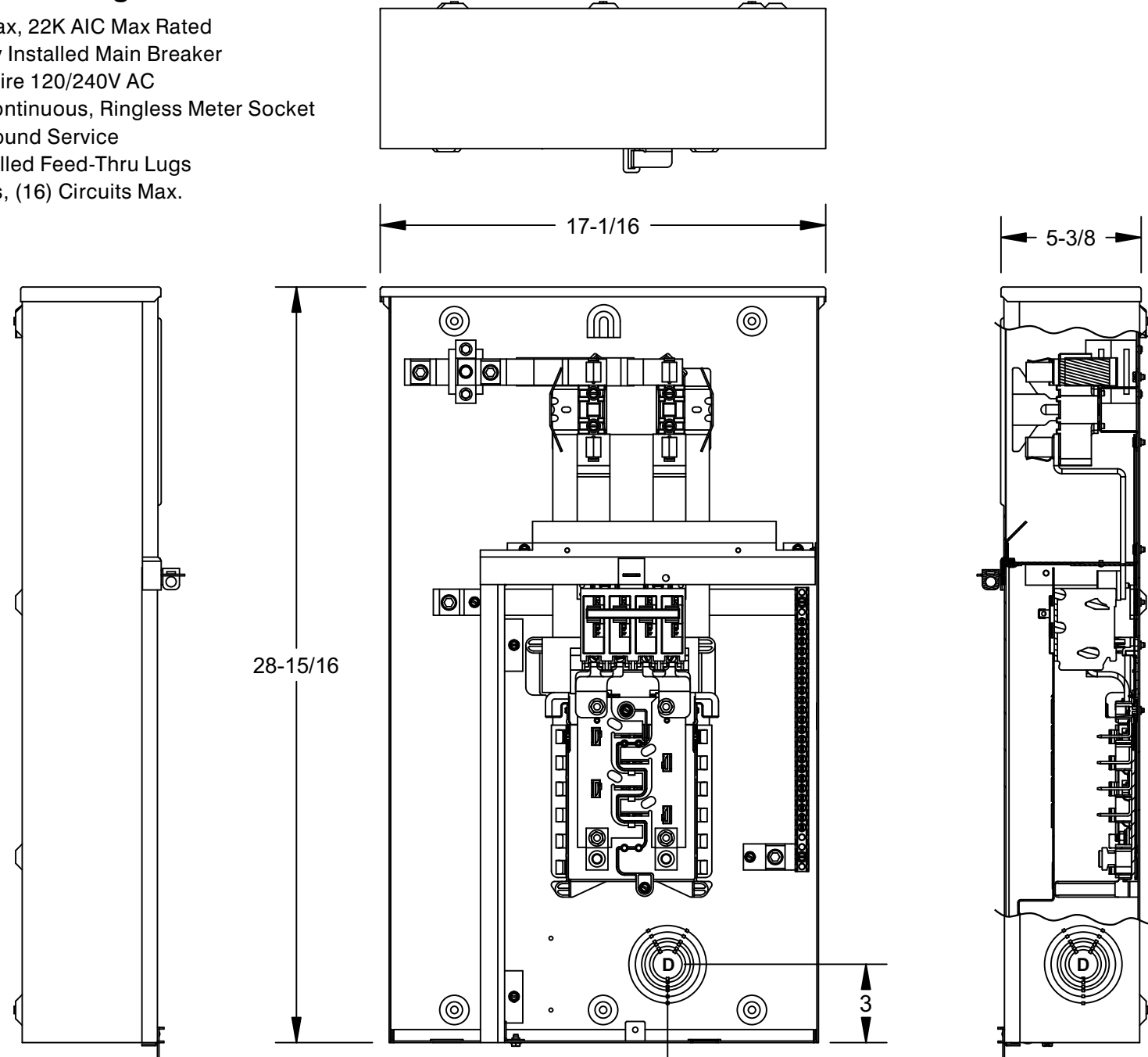


Catalog Number: MC0816B1200RTD

Features and Ratings

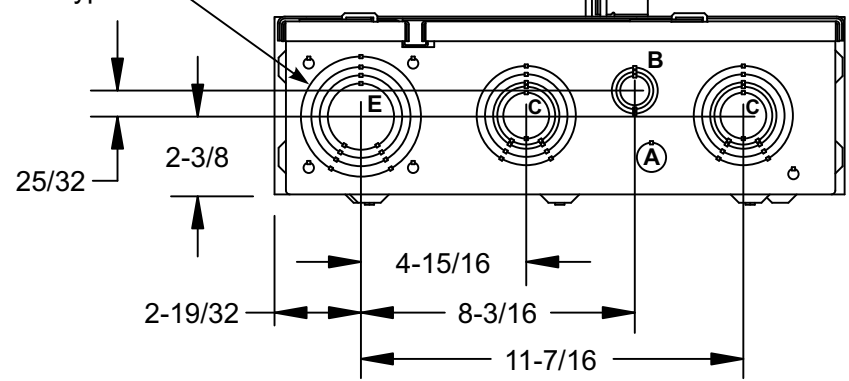
- 200 Amps Max, 22K AIC Max Rated
- 200A Factory Installed Main Breaker
- 1 Phase, 3 Wire 120/240V AC
- 200 Amps Continuous, Ringless Meter Socket
- For Underground Service
- Factory Installed Feed-Thru Lugs
- (8) 1" Spaces, (16) Circuits Max.



View Shown with Covers and Deadfront Removed

Partial Section

Provision for HC Type Hub



Knockouts (inches)	
A:	1/2 DIA.
B:	1/2, 3/4, 1
C:	1, 1-1/4, 1-1/2, 2, 2-1/2
D:	3/4, 1, 1-1/4, 1-1/2, 2, 2-1/2
E:	1-1/2, 2, 2-1/2, 3

Accessories

Filler Plate Cat. No. QF3 or ECQF3
 2/0-#4 Lug kit: ECLK1-2 (Torque 45 Lb-Ins.)
 5th Jaw Assembly: EC5J2
 Mechanical Breaker Interlock: ECSBPK08
 Meter Socket Jumper: ECJS

Equipment Grounding Bar: ECGB10
 Tighten Equipment Ground Bar Terminals to the torque shown in neutral bar table for the wire installed.

Type HC Hubs

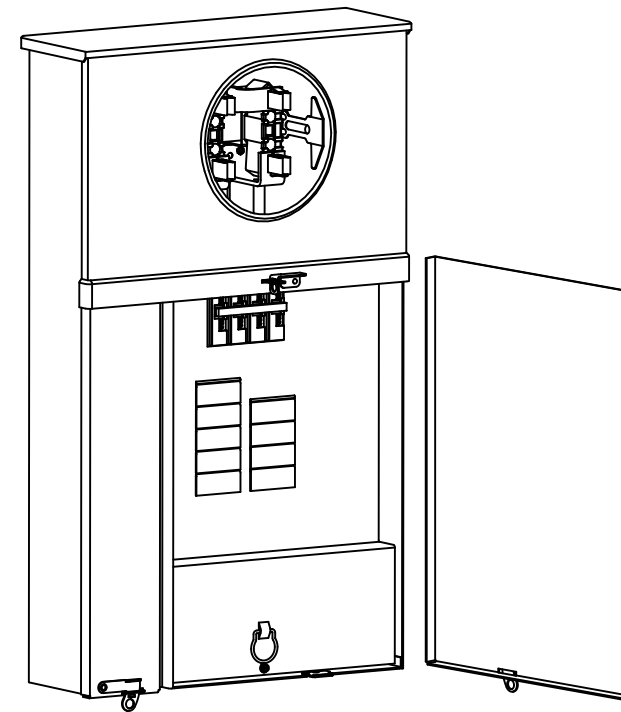
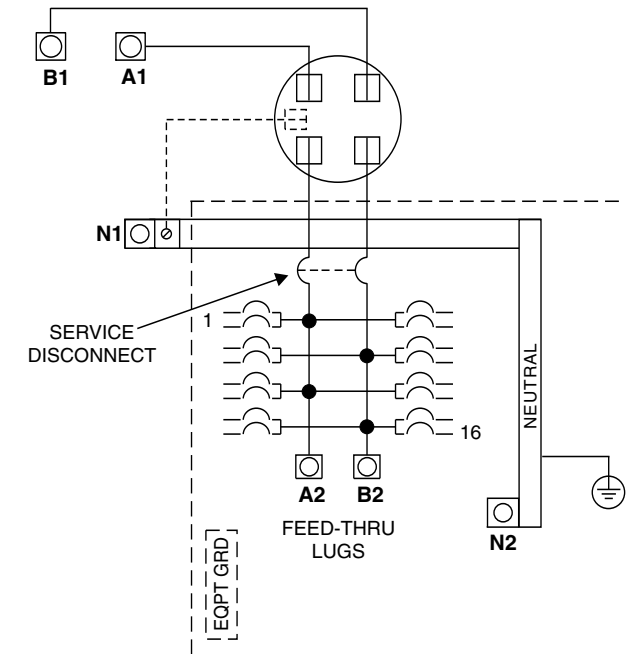
Trade size (in)	Catalog number
<i>HC Type Hub (bottom endwall)</i>	
2"	ECHC200
2 1/2"	ECHC250
3"	ECHC300

Wire Sizes and Torques

(see schematic)

TERMINALS	WIRE	TORQUE
A1, B1, N1	#6 AWG - 350 kcmil	250 LB-INS
A2, B2 FEED-THRU TERMINALS	#4 AWG - 250 kcmil	250 LB-INS
N2	#6 AWG - 250 kcmil	250 LB-INS
NEUTRAL/GROUND BARS (USE TYPE ECGB GROUND BAR KIT ACCESSORY)	10-14 CU/10-12 AL	20 LB-INS
	8 AWG	25 LB-INS
GROUND CONDUCTORS ONLY	6-4 AWG	35 LB-INS
	(2)or(3) 14 AWG	20 LB-INS
	(2) 12-10 AWG	20 LB-INS

Schematic



© 2010 Copyright Siemens Industry, Inc.

Siemens Industry, Inc.
 Building Technologies Division

Meter Load Center Combination

Description: **200A 0816 Feed-Thru Ringless UG**

Size B Dwg. No. **MC0816B1200RTD**