

# SIEMENS

## Indoor Load Center

Catalog Number **G2440L1125CU** Series - Enclosure Type 1

RATINGS: 125A MAXIMUM - SEE MAIN BREAKER RATING IF USED. BACK-FEED BREAKER REQUIRES HOLD-DOWN KIT ECOMB2. 120/240 V~, 60 HZ, 1Ø 3W 208Y/120 V~, 60 HZ, 1Ø 3W

FOR INSTALLATION BY A QUALIFIED PERSON IN ACCORDANCE WITH ALL LOCAL ELECTRICAL CODES AND/OR THE NATIONAL ELECTRICAL CODE®.

**SUITABLE FOR USE AS SERVICE EQUIPMENT WHEN MAIN BREAKER IS INSTALLED.** WHEN USED AS SERVICE EQUIPMENT, APPLY "SERVICE DISCONNECT" LABEL TO FRONT NEXT TO MAIN BREAKER HANDLE.

WHEN USED AS SERVICE EQUIPMENT, UNUSED NEUTRAL BAR TERMINALS MAY BE USED TO TERMINATE EQUIPMENT GROUNDING WIRES IN THE COMBINATIONS INDICATED FOR EQUIPMENT GROUND BAR TERMINALS.

IF THE NEUTRAL TIE STRAP IS REMOVED, LUG KIT ECLKB1 MUST BE INSTALLED AND BONDED. THE LEFT NEUTRAL BAR WILL BECOME THE EQUIPMENT GROUND.

SUM OF QT BREAKER RATING IS NOT TO EXCEED 110 AMPS PER BRANCH CIRCUIT BUS STAB.

TO RESET BREAKERS WITH TRIPPED HANDLE POSITION BETWEEN "ON" AND "OFF", MOVE HANDLE TO "OFF" THEN TO "ON".

REMOVE TWISTOUTS FROM TRIM ONLY WHERE BREAKERS WILL BE INSTALLED. ALL OPENINGS MUST BE FILLED WITH BREAKERS OR FILLER PLATES. USE ONE ECOMB125 FILLER PLATE TO FILL 100-125A MAIN BREAKER OPENING.

THIS LOAD CENTER IS INVERTIBLE FOR BOTTOM FEED APPLICATIONS.

Siemens Energy & Automation, Inc. Alpharetta, Georgia U.S.A. J2 4099528 Rev.B

**IMPORTANT:** DO NOT ALLOW PETROLEUM BASED (HYDROCARBON) SPRAYS, CHEMICALS, SOLVENTS OR ANY PAINT TO CONTACT INTERIOR COMPONENTS. PETROLEUM BASED CHEMICALS CAN CAUSE DEGRADATION OF ELECTRICAL INSULATING MATERIALS.

**⚠ DANGER**

**Hazardous Voltage.** Will cause death, serious injury or substantial property damage.

Turn off power supplying this equipment before working inside.



**⚠ PELIGRO**

**Voltaje peligroso. Causará la muerte, lesiones graves o daño substancial a la propiedad.**

Desconecte el suministro de energía a este equipo antes de trabajar en su interior.

### SHORT CIRCUIT CURRENT RATING

THIS PANELBOARD HAS A MAXIMUM SHORT CIRCUIT CURRENT RATING OF 100,000 AMPS RMS SYMMETRICAL, 120/240V~. THE ACTUAL RATING IS DEPENDENT ON THE BRANCH BREAKERS INSTALLED IN THIS PANELBOARD AND THE MAIN/FEEDER BREAKER, IF ANY, INSTALLED AHEAD OF THIS PANELBOARD. THE CORRECT MAIN BREAKER/FEEDER/MAN BREAKER/PANELBOARD MAIN BREAKER/BRANCH BREAKER SERIES COMBINATIONS TO BE USED ARE LISTED IN THE TABULATION BELOW. ANY CIRCUIT BREAKER INSTALLED, REPLACED, OR ADDED IN THIS PANELBOARD MUST BE MANUFACTURED BY SIEMENS AND MUST BE OF THE CORRECT TYPE AS INDICATED IN THE TABULATION BELOW. USE OF OTHER CIRCUIT BREAKERS IN THIS EQUIPMENT WILL VOID THE WARRANTY.

MAIN BREAKER WHEN THE MAIN PROTECTING THE SYSTEM IS A	FEEDER/MAIN BREAKER AND THE BREAKER PROTECTING THIS PANELBOARD IS A SIEMENS TYPE	PANELBOARD MAIN AND THE INSTALLED MAIN BREAKER IN THIS PANELBOARD IS A SIEMENS TYPE	BRANCH BREAKER AND THE BRANCH BREAKERS INSTALLED ARE SIEMENS TYPE	THEN THE MAX. SHORT CIRCUIT CURRENT RATING IN RMS SYMMETRICAL AMPS, 120/240 V~ IS
NONE USED OR SIEMENS BREAKER TYPES JXD2(-A), JD6(-A), JXD6(-A), HJD6(-A), HJXD6(-A), LD6(-A), LXJ6(-A), HLD6(-A), HJLD6(-A), MD6, MXD6, HMD6, HMXD6, ND6, NXD6, HND6, HNXD6, PD6, PXD6, HPD6, HXPD6, RD6, RXD6, HRD6, HFXD6, OR CLASS J, T, R OR L FUSES	QP, BQ, BL	NONE USED OR EQ8681, EQ8682 OR QP	QP, QD, QT, QPH, HQP, QPF, QPHF, QF, QEH, QAF, QAFH	10,000
NONE USED	QPH, BQH, BLH	NONE USED OR EQ8681, EQ8682 OR QPH	QP, QT, QPH, HQP, QPF, QPHF, QE, QEH, QAF, QAFH	22,000
NONE USED	NONE USED	NONE USED	QPH, QEH, QPHF, QAFH	65,000
SIEMENS BREAKER TYPES JXD2(-A), JD6(-A), JXD6(-A), HJD6(-A), HJXD6(-A), LD6(-A), LXJ6(-A), HLD6(-A), HJLD6(-A), MD6, MXD6, HMD6, HMXD6, ND6, NXD6, HND6, HNXD6, PD6, PXD6, HPD6, HXPD6, RD6, RXD6, HRD6, HFXD6, OR CLASS J, T, R OR L FUSES	QP, BQ, BL, HQP, HBQ, HBL	NONE USED, EQ8681, EQ8682 OR HQP	QP, QT, QPH, HQP, QPF, QPHF, QE, QEH, QAF, QAFH	100,000
SIEMENS BREAKER TYPE ED4, ED6	NONE USED OR QP, BQ, BL, QPH, BQH, BLH, HQP, HBQ, HBL	NONE USED	HQP	
NONE USED	HQP, HBQ, HBL	NONE USED	HQP	
SIEMENS BREAKER TYPES HED4, HED6, HFD6, HFXD6	NONE USED OR QP, BQ, BL, QPH, BQH, BLH, HQP, HBQ, HBL	NONE USED OR EQ8681 OR EQ8682	QP, QT, QPH, HQP, QPF, QPHF, QE, QEH, QAF, QAFH	100,000
300V T FUSES - 200A MAX	QP, BQ, BL, HQP, HBQ, HBL			
200V T FUSES - 600A MAX	QP, BQ, BL, HQP, HBQ, HBL			

‡ THIS PANELBOARD IS A MAIN LUG DEVICE THAT MAY BE CONVERTED TO MAIN BREAKER WITH THE ADDITION OF FIELD INSTALLED MAIN BREAKER KIT OR A MAIN BREAKER DEVICE THAT MAY BE CONVERTED TO MAIN LUG WITH THE ADDITION OF MAIN LUGS. SEE ACCESSORY TABLE FOR CATALOG NUMBERS OF APPROPRIATE KITS.

MAIN LUG / MAIN BREAKER KITS	
USE APPROPRIATE KIT FROM CHART BELOW TO CONVERT PANEL	
DESCRIPTION	CAT. NO.
100 AMP MAIN BREAKER	MBK100A
125 AMP MAIN BREAKER	MBK125A
100-125 AMP MAIN LUG	ECMLK125

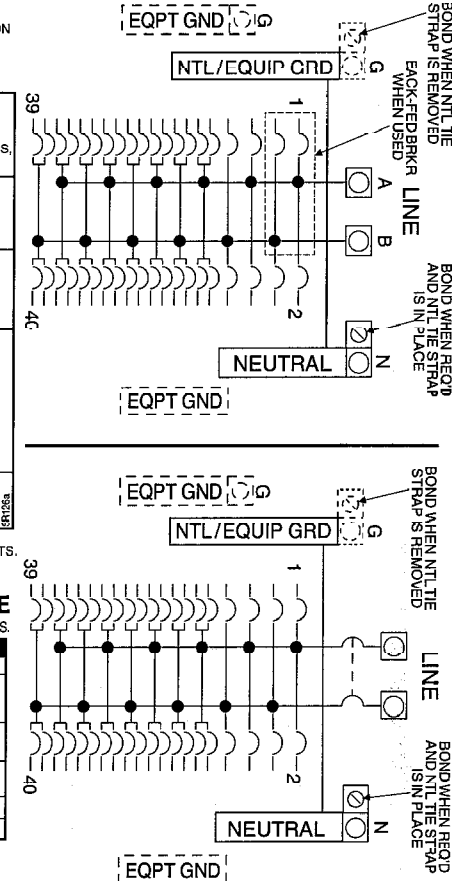
ACCESSORIES	
DESCRIPTION	CAT. NO.
DOOR LOCK	EQQL2
FILLER PLATE, 1"	QF3
BREAKER HOLD-DOWN	ECMBP2
MAIN BREAKER FILLER PLATE	ECMBF125
BONDABLE GROUND LUG	ECLKB1
SUBFEED LUG KIT	ECLK2125
STANDBY PWR INTERLOCK KITS:	
ECSBP01, ECSBP02, ECSBP04	

Assembled in Mexico  
© 2005 Copyright Siemens Energy & Automation, Inc.  
® The National Electrical Code is a registered trademark of the National Fire Protection Association.

### USE COPPER OR ALUMINUM 60°/75°C WIRE

SEE BREAKER MARKINGS FOR WIRE SIZE AND TORQUE REQUIREMENTS.

TERMINALS	WIRE	TORQUE
A, B, N, G	2/0-4 AWG	110 LB-INS
NEUTRAL/GROUND BARS (USE TYPE GB GROUND BAR KIT ACCESSORY)	10-14 CU/10-12 AL 8 AWG 8-4 AWG	20 LB-INS 25 LB-INS 35 LB-INS
GROUND CONDUCTORS ONLY	(2)or(3) 14 AWG (2) 12-10 AWG	20 LB-INS 20 LB-INS
ECLK1-2 NEUTRAL LUG KIT	2/0-2 AWG	45 LB-INS
ECLK2 NEUTRAL LUG KIT	2/0-4 AWG	135 LB-INS
MAIN LUG/MAIN BRKR TO BUS CONNECTION (1/4-20 NUT)		45 LB-INS
BONDING SCREW		45 LB-INS



COLOR: PMS485

PRINT COLOR: BLACK EXCEPT AS SHOWN

MATERIAL: FASSON UL LITHO 40F6-7305G (SPEC# 10254)

ALTERNATE MAT'L: 60# FASSON CRACK'N'PEEL PLUS, UNCOATED OPT SET,

SUPER PERMANENT ADHESIVE WITH 83# LINER

DESIGN RESPONSIBILITY LOCATION:  
**SEA-NORCROSS**

PRINT DISTRIBUTION

ECN COPIES MUST BE ISSUED TO ALL CHECKED LOCATIONS FOR APPROVAL PRIOR TO CHANGE

- SEA-TUC  SEA-DRM  McPHER
- SEA-NOR  DUR-LEB  CHOICE
- SEA-EL  DUR-HOU  IC-ASY
- SFA-IT2  SFA-BFL  \*

					UNLESS OTHERWISE SPECIFIED DIMENSIONS ARE IN INCHES					-CONFIDENTIAL- PROPERTY OF <b>Siemens Energy &amp; Automation, Inc.</b> Residential Products Division															
					TOLERANCES: .XX ±.12 .XXX HOLE DIAMETER ±.005 ANGULAR UNDIMENSIONED 90° ANGLES ±0°30'					<b>WIRING DIAGRAM</b>															
		05-042-10		B		11/23/05		REVISE FOR TRANSFER TO ITESA2. TRANSFER DES. CONTROL TO NORCROSS.		KAM		DWN		KAM		DATE 4/11/03		SIZE B		ISSUE RELEASE NO. 01-080-17		DWG. NO. 4099528		REV B	
		01-080-17		A		4/11/03		ISSUE		KAM		CHK		CDH		DATE 4/15/03		SCALE 1:1		DO NOT SCALE DRAWING		SHEET 1 OF 1			
1st ARTICLE		EDR NO.		REV		DATE		DESCRIPTION		BY		APVD		CDH		DATE 4/15/03									