

SIEMENS

Ingenuity for life

Analytical Products and Solutions

Continuous Gas Analyzers (CGA) Standard Sampling Systems and Analyzer Enclosure Options

Sales Bulletin

usa.siemens.com/analyticalproducts



Siemens Standard Sampling Systems are fully configured to prepare samples under a variety of conditions for our analyzer's proper function.

Standard Sampling Systems suitable for:

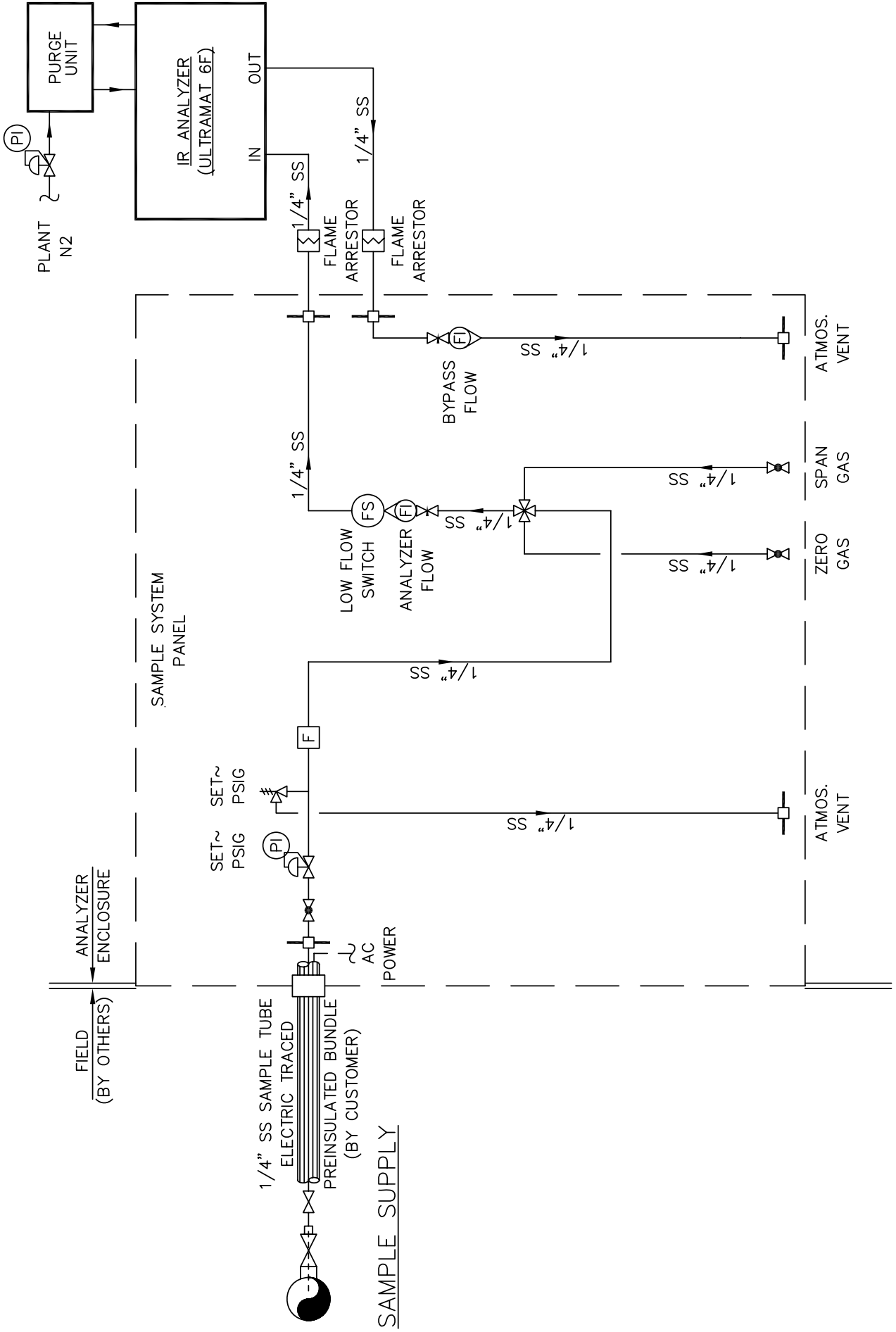
1. High pressure sampling system on a panel for a dry, vapor sample up to 1200 psig inlet pressure
2. Atmospheric pressure sampling system on a panel for a dry vapor sample
3. Atmospheric pressure sampling system on a panel for up to 30% H₂O sample
4. Atmospheric pressure sampling system on a panel for up to 30% H₂O sample in a heated enclosure

CGA enclosure options suitable for ULTRAMAT 6F and OXYMAT 6F analyzers

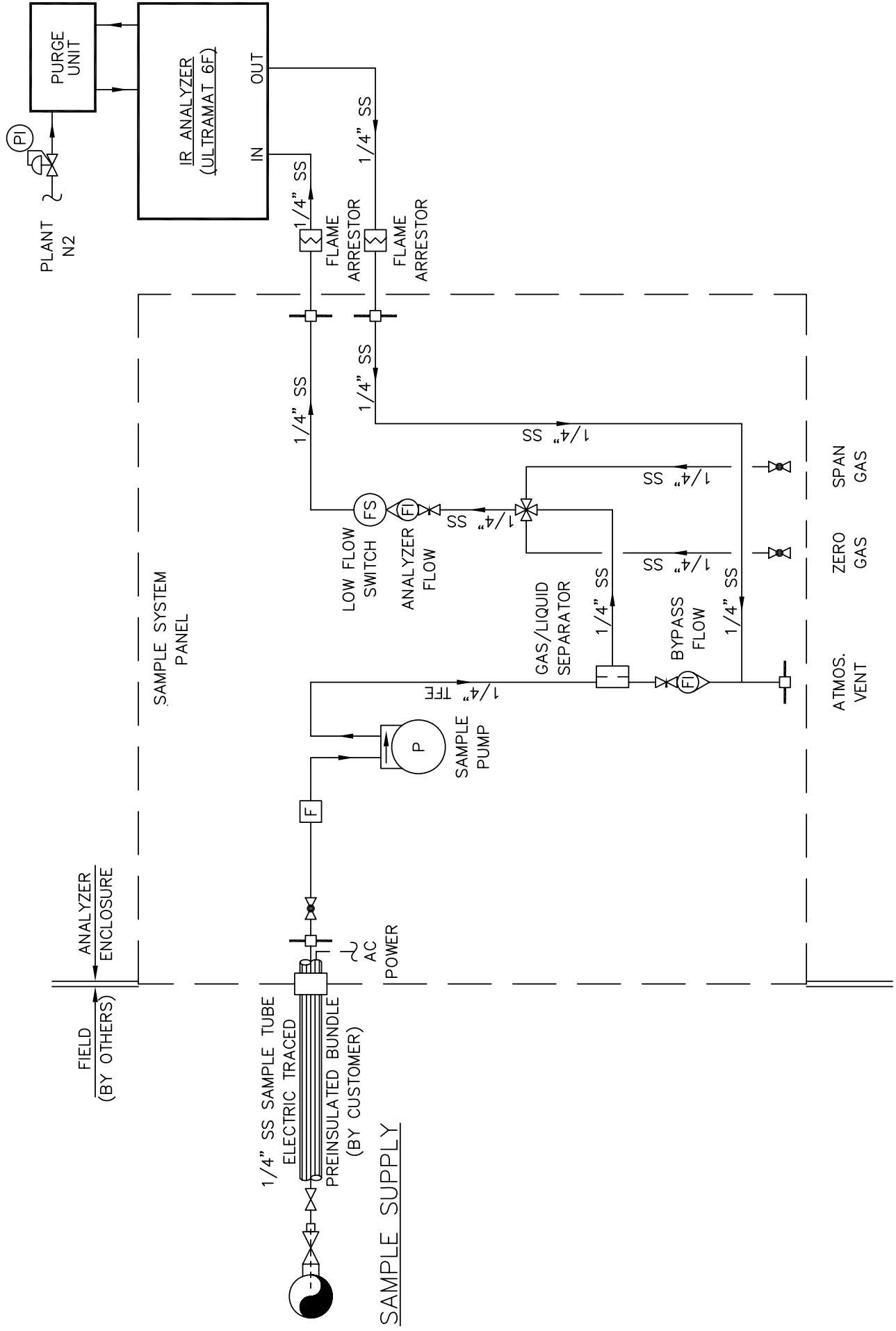
- A. Unheated
- B. Heated
- C. Unheated with cooler
- D. Unheated with inert gas purge
- E. Heated with cooler and inert gas purge

To order, contact your local Siemens Account Manager or Representative.

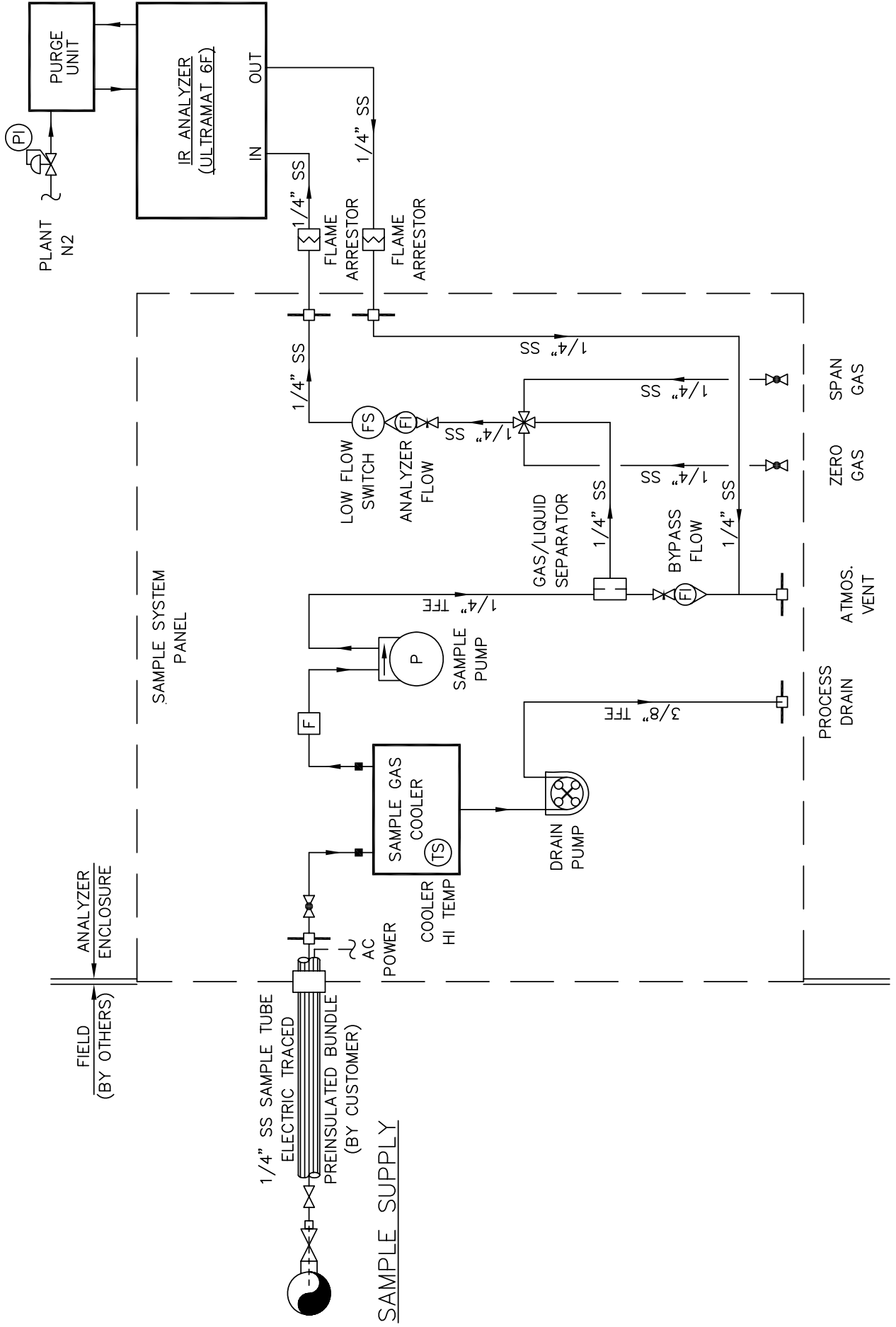
High pressure sampling system on panel, dry vapor sample, up to 1200 PSIG inlet pressure



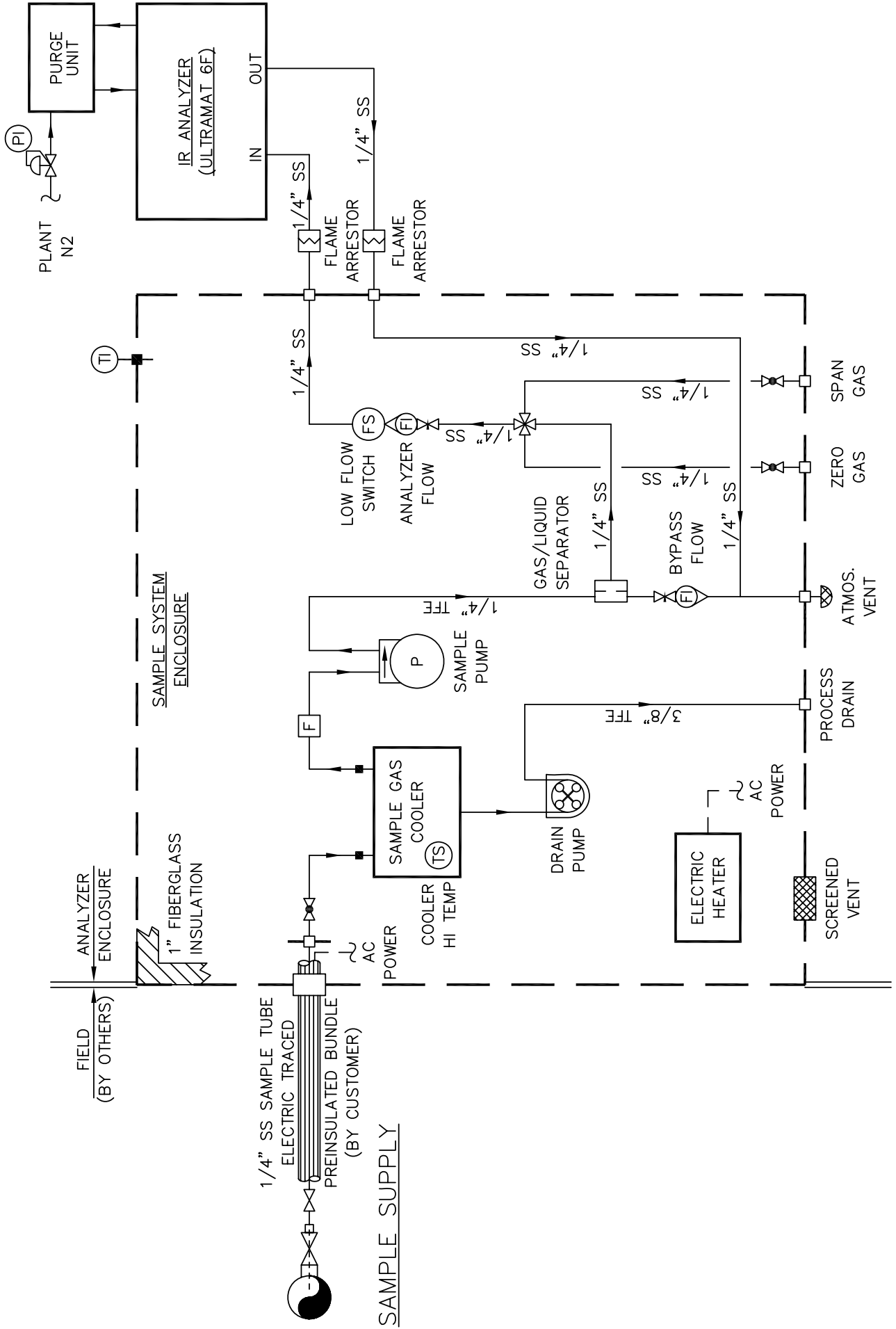
Atmospheric pressure, dry vapor sample, on a panel



Atmospheric pressure, up to 30% H₂O sample on a panel



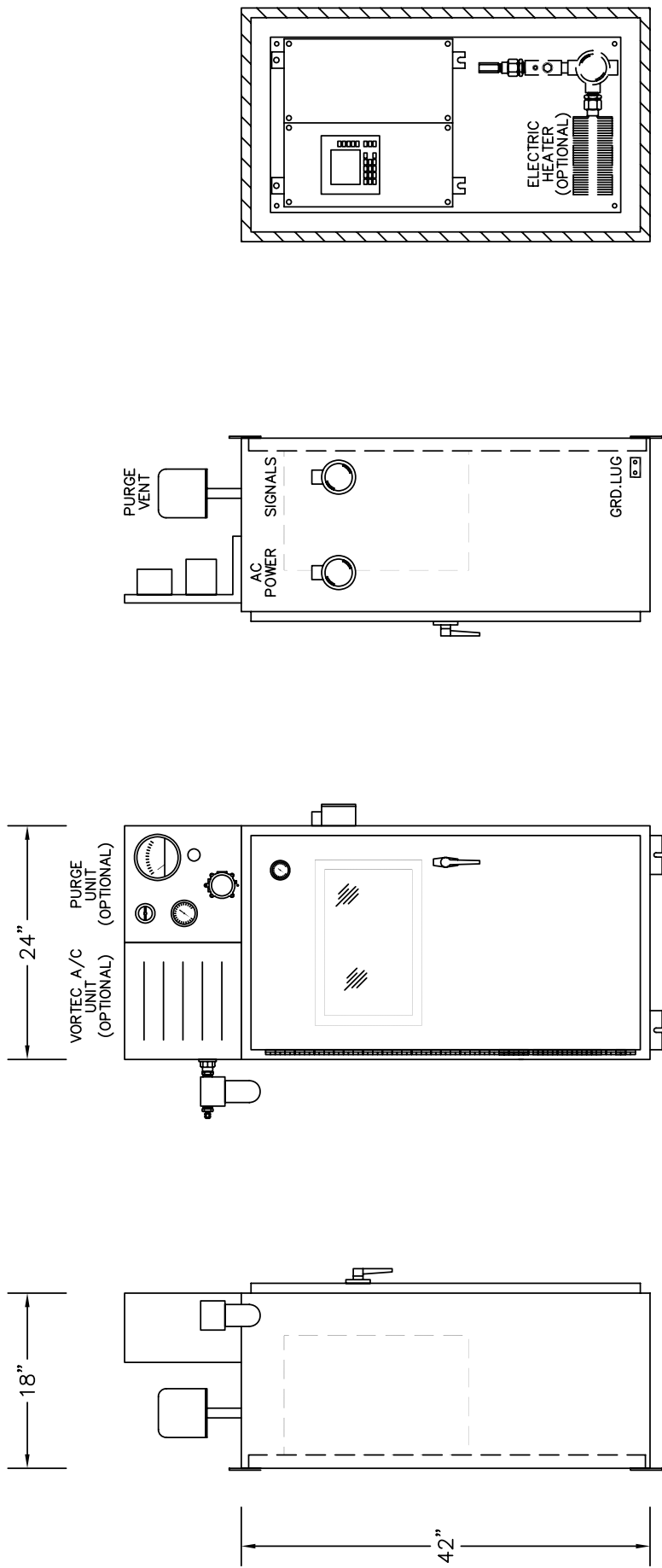
Atmospheric pressure, up to 30% H₂O sample in a heated sampling system enclosure



Enclosure for CGA

- A. Unheated
- B. Unheated, with Cooler
- C. Unheated, with IDI purge
- D. Heated, with cooler plus IDI purge

Enclosure options for CGA



FRONT VIEW

LEFT SIDE VIEW

RIGHT SIDE VIEW

INSIDE VIEW
 PANEL LAYOUT
 (DOOR REMOVED FOR CLARITY)

For more information, please contact:

Siemens Industry, Inc.
5980 West Sam Houston Parkway North
Suite 500
Houston, TX 77041
Phone: 713-939-7400
Email: ProcessAnalyticsSales.industry@siemens.com
usa.siemens.com/analyticalproducts

Siemens Flyer
August 2019

Published by
Siemens Industry, Inc.

1-800-964-4114
info.us@siemens.com

Process Automation
Process Industries and Drives
100 Technology Drive
Alpharetta, GA 30005

Subject to change without prior notice
Order No.: PIASB-00001-0819
Printed in USA
All rights reserved
© 2019 Siemens Industry, Inc.

The technical data presented in this document is based on an actual case or on as-designed parameters, and therefore should not be relied upon for any specific application and does not constitute a performance guarantee for any projects. Actual results are dependent on variable conditions. Accordingly, Siemens does not make representations, warranties, or assurances as to the accuracy, currency or completeness of the content contained herein. If requested, we will provide specific technical data or specifications with respect to any customer's particular applications. Our company is constantly involved in engineering and development. For that reason, we reserve the right to modify, at any time, the technology and product specifications contained herein.