

Heavy Duty Safety Switch

Type VBII, 100 Amp, Type 4/4X with Non-Metallic Enclosure

Standards and Ratings

- UL Listed under file #E4776
- Meets UL98 for switches and UL 50 for enclosures
- Meets NEMA Standard KS-1 for enclosed switches
- Meets NEC wire bending space requirements
- Rated 10,000 AIC with Class H fuses or 200,000 AIC with Class R or J fuses
- Quick-make and break mechanism
- Visible blade double break construction
- Voidable dual cover interlock
- Suitable for use as service equipment

General Information

Amp Rating	Catalog Number	Shipping Wt (lbs) (Std Pkg)	Horsepower Ratings ¹						HP Rating	
			3 Phase, 240V AC		3 Phase, 480V AC		3 Phase, 600V AC		250V DC	600V DC
			Std	Max	Std	Max	Std	Max		
600 Volt AC & DC Max Fusible - 3 Pole, 4 Wire										
100	HF363NX	39 (1)	15	30	25	60	30	75	20	25
100	HF363NXL ²	39 (1)	15	30	25	60	30	75	20	25
600 Volt AC & DC Max Non-Fusible - 3 Pole, 3 Wire										
100	HNF363X ³	38 (1)	—	40	—	75	—	100	20	25
100	HNF363XL ²	38 (1)	—	40	—	75	—	100	20	25

Accessories

Catalog Number	Description
HN623 ⁴	Neutral Kit
HR63	100 Amp, Class R Fuse Clip Kit
HG61234 ⁵	Equipment Ground Kit (2 pc. Wire Range #14-4 AWG Cu/Al)
HA161234	Auxiliary Switch (1-NO & 1 NC)
HA261234	Auxiliary Switch (2-NO & 2 NC)
HA361234	PLC Auxiliary Switch with 1-NO & 1-NC Gold Plated Contacts
HLC63	Copper Body Lug Kit (#14-1/0)
SSH150	1.50" Type 4, 4X Hub
SSH200	2.00" Type 4, 4X Hub
HFB63	Replacement Base (Line Side) Fusible
HBB63	Replacement Base (Load Side) Fusible
HNB623	Replacement Base Non-Fusible

Mechanical Lug Wire Ranges (60/75°C, Cu/Al)

Description	Wire Range
Line, Load, Neutral	#14-1/0 AWG (Cu/Al)
Ground	#14-4 AWG

¹ Dual horse ratings: Std - applies when non-time delay fuses are installed.

Max - applies when time-delay fuses are installed.

² Line and load lugs are omitted. Provided with mounting hardware for crimp type or copper body lugs.

³ Suitable for use as Service Entrance Equipment. Order and install field addable groundable neutral kit.

⁴ Factory installed as standard on fusible switches.

⁵ Factory installed as standard.

Product Specification Sheet HD100.8

Answers for industry.

SIEMENS

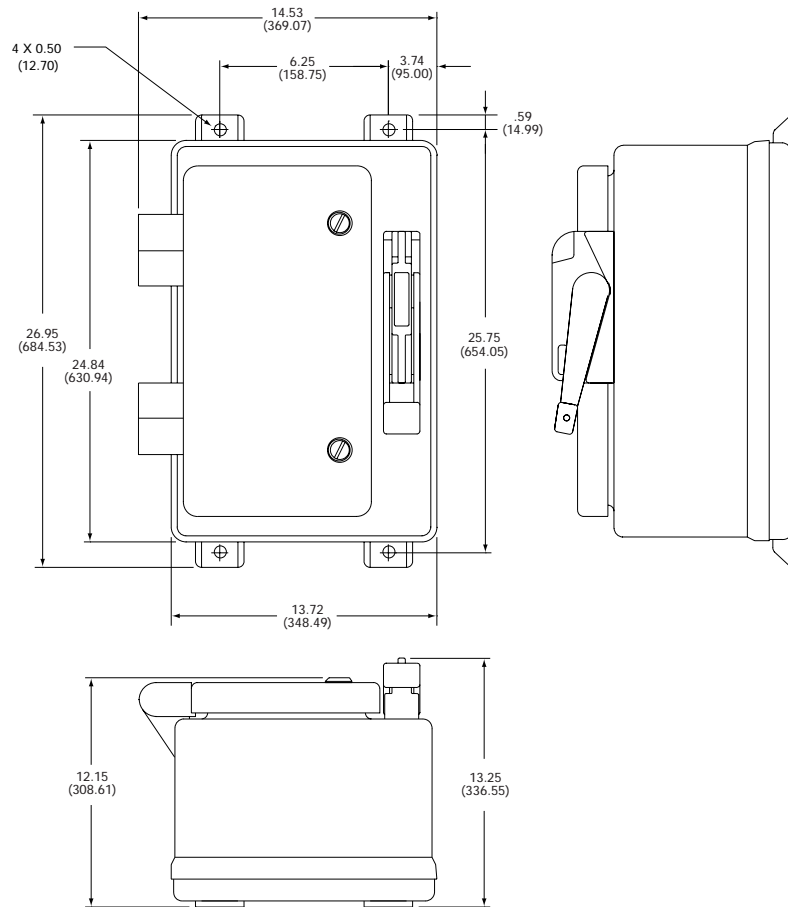
Product Specification Sheet #HD100.8 (page 2 of 2)

Dimension Drawing

Compression Lugs ¹

Wire Size	Burndy		Thomas-Betts		Ilsco	
	CU Only	CU/AL	CU Only	CU/AL	CU Only	CU/AL
#6	YA6C-L BOX	YA6CA1	54105	61107	CRB-6	ACL-6
	YA6C		54905BE	60107	CRB-6L	
#4	YA4C-L BOX	YA4CA1	54106	61112	CRB-4	ACL-4
	YA4C		54906BE	60112	CRB-4L	
#2	YA2C-L2 BOX	YA2CA5	54107	61116	CRB-2	ACL-2
	YA2C				CRB-2L	
#1	YA1C-L2		54108	61122	CRB-1-14	
	YA1C		54947BE		CRA-1L	
1/0				61130		

¹ If compression lugs are used for the neutral, order compression lug neutral barrier kit HCL623.



Dimensions shown in inches and millimeters ().
Dimension shown accurate to $\pm \frac{1}{8}$ inch.

Note: Enclosure is constructed from fiberglass reinforced polyester with non-metallic hinges and cover latches. Finish – gray.