


For use with: I-T-E® PD Frame Types SPD6 equipped with Ground Fault Protection for 3 phase, 4 wire, 208Y/120, 480Y/277 or 600Y/347 Volt AC systems.

Siemens Energy & Automation, Inc.  
Bellefontaine, Ohio 43311 U.S.A.

## Installation Instructions



**DANGER**

**Hazardous voltage. Will cause death or severe injury.**

Turn off and lock out all power before working on the circuit breaker.

Replace the covers and shields before power supplying the circuit breaker is restored.

**SAFETY INSTRUCTIONS**

1. Turn off power feeding this device before starting the installation.
2. Also turn off any line power within the immediate vicinity to prevent the incidental or accidental contact of tools by the installer.

Note: This instruction sheet outlines the recommended installation procedure for the following Neutral Sensors:

Neutral Sensor	Neutral Sensor	
<u>Cat. No.</u>	<u>Ampere Rating</u>	<u>Color</u>
N14SPD	1400 Amps	Green
N16SPD	1600 Amps	Green

Use neutral sensors with the following breaker catalog numbers.

<b><u>N14SPD</u></b>	<b><u>N16SPD</u></b>
SPD69140G	SPD69160G
SPD69140NGT	SPD69160NGT
SHPD69140G	SHPD69160G
SHPD69140NGT	SHPD69160NGT

### INTRODUCTION:

This neutral sensor is designed to be mounted on one 4.00" x .75" bus bar or with neutral kit, catalog number N2000, it can be adapted for cable applications. See instructions supplied with the neutral kit for assembly procedure.

### Mounting:

Position the neutral sensor within easy wiring range of the associated circuit breaker and fabricate four .312 diameter holes 1.50 x 4.47 inches apart in bus or panel, as shown in Figure 1. Orient L-Mounting brackets as necessary for the mounting configuration being used and secure to the neutral sensor with the hardware provided. Mount the neutral sensor to bus or panel, with 1/4"-20 hardware (not provided).

### Important:

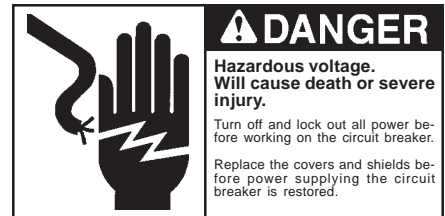
The SPD series of electronic trip circuit breakers equipped with ground fault protection may be used in the Residual or Ground Return modes. When used in the Residual mode the orientation of the neutral sensor is important for proper operation.

**CAUTION**

**Incorrect neutral sensor could cause nuisance tripping or improper operation of the ground fault function.**

**Use only the above series of neutral sensors.**

**The Ampere Rating of the neutral sensor must match the Maximum Continuous Current rating (In) of the Circuit Breaker.**



# Installation Instructions

See Figures 2 and 3 for proper orientation of the neutral sensor for Residual mode Ground Fault. Special orientation of the neutral sensor is not required when used in the Ground Return mode of Ground Fault. See Figure 4 for installation of neutral sensor.

**Terminal Connections:**

After properly orienting and mounting the neutral sensor, maintain the correct polarity by connecting terminal X1 on the circuit breaker to terminal X1 on the neutral sensor, and terminal X2 on circuit breaker to terminal X2 on the neutral sensor.

Hardware List:	Quantity
10-32 Terminal Screw	2
#10 Lockwasher	2
Cupped Washer	2
L Mounting Bracket	2
1/4-20 x 5/8" machine screw	4
1/4" lockwasher	4
Breaker Label	1

Breaker Label (Figure 5):

This label is to be attached to the associated circuit breaker at installation.

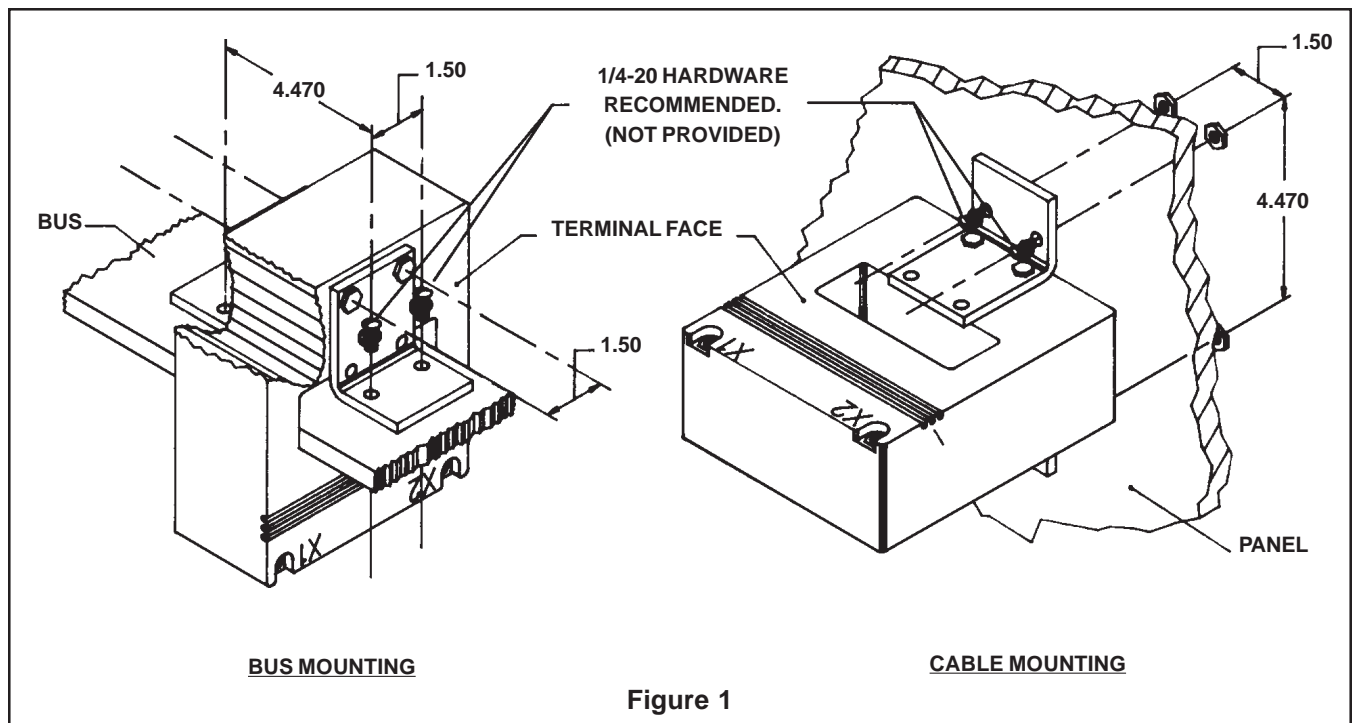
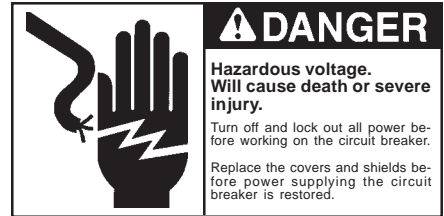
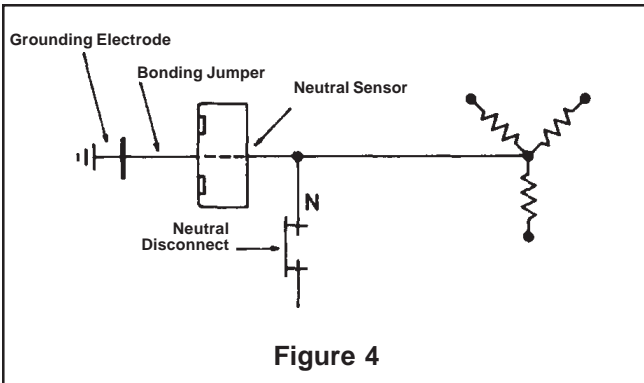
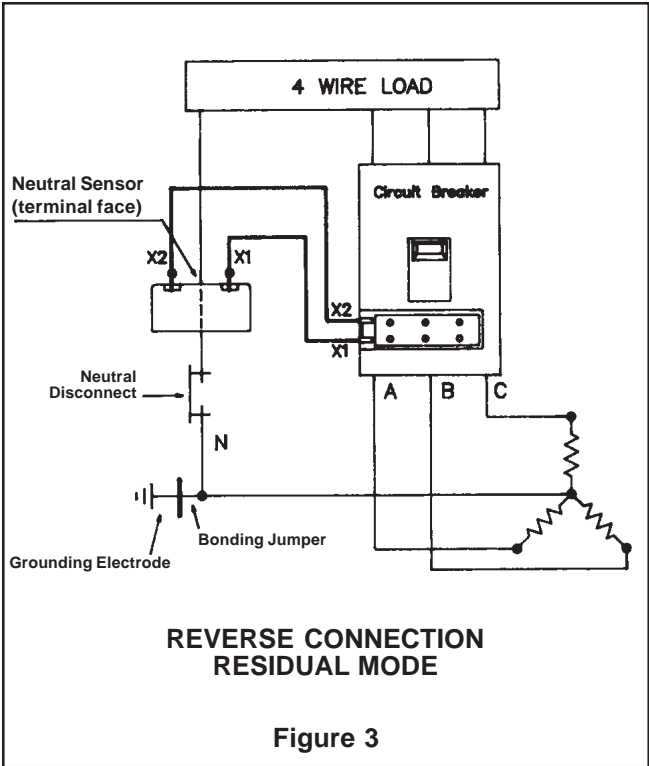
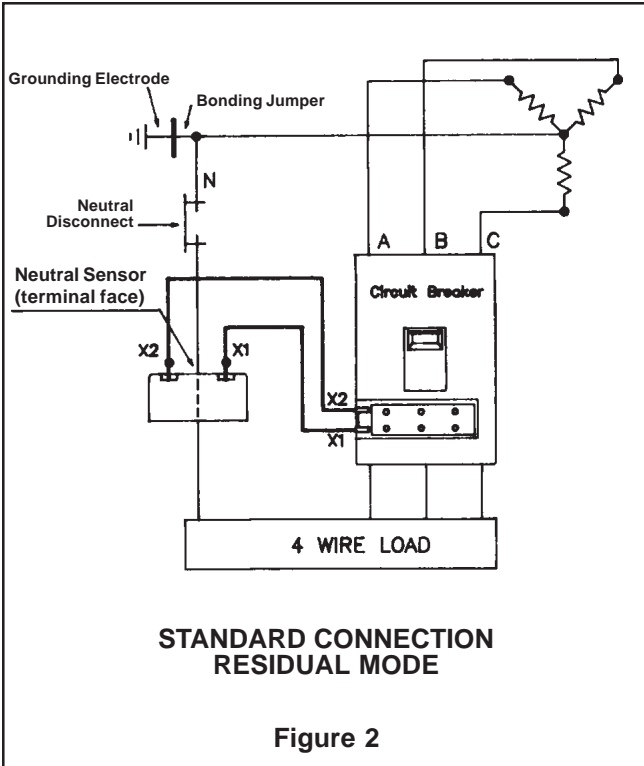


Figure 1



# Installation Instructions



**BREAKER IS EQUIPPED  
 WITH A NEUTRAL SENSING  
 TRANSFORMER.**

720219-A00

Figure 5