

Catalog Numbers, Features and Ratings

Replacement Parts, Accessories, and Additional Modules

1600A 1Ø Standard Tap Box Schematics

WTB11600CU 1-PHASE

- MODULE RATING: 1200 AMPS MAX, 240V AC MAX.
- 100,000 AIC RATING MAX.
- ADDED MOUNTING RAILS AND BRACKETS FOR SECURE MOUNTING.
- FOR OVERHEAD OR UNDERGROUND SERVICE.
- TYPE 3R OUTDOOR ENCLOSURE.

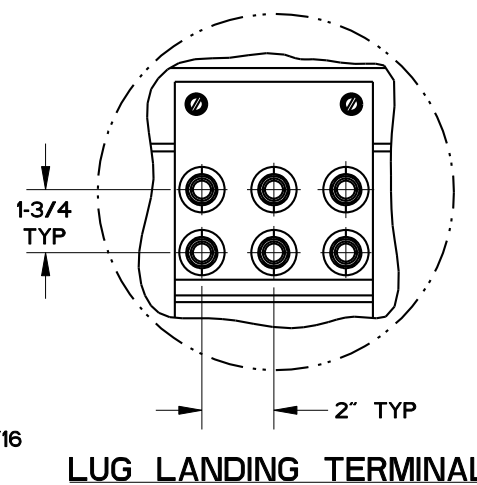
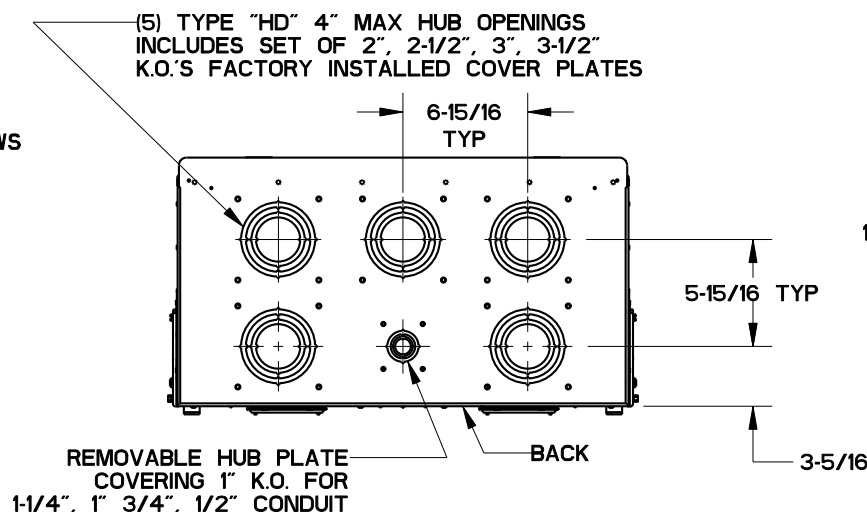
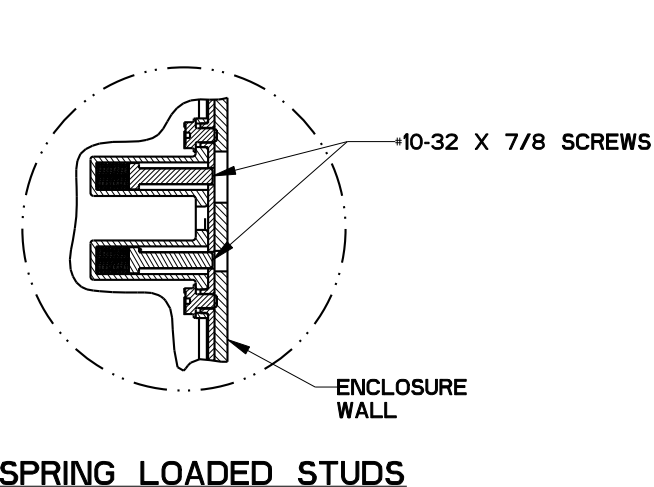
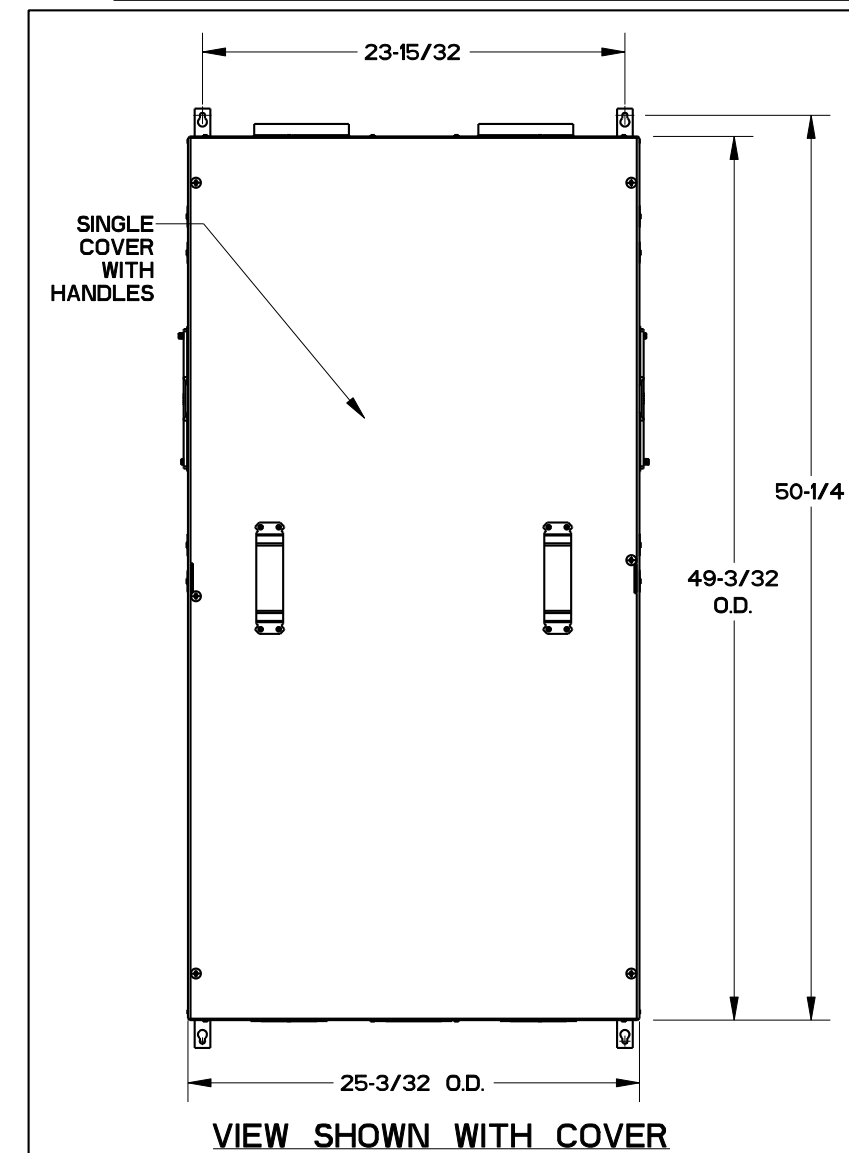
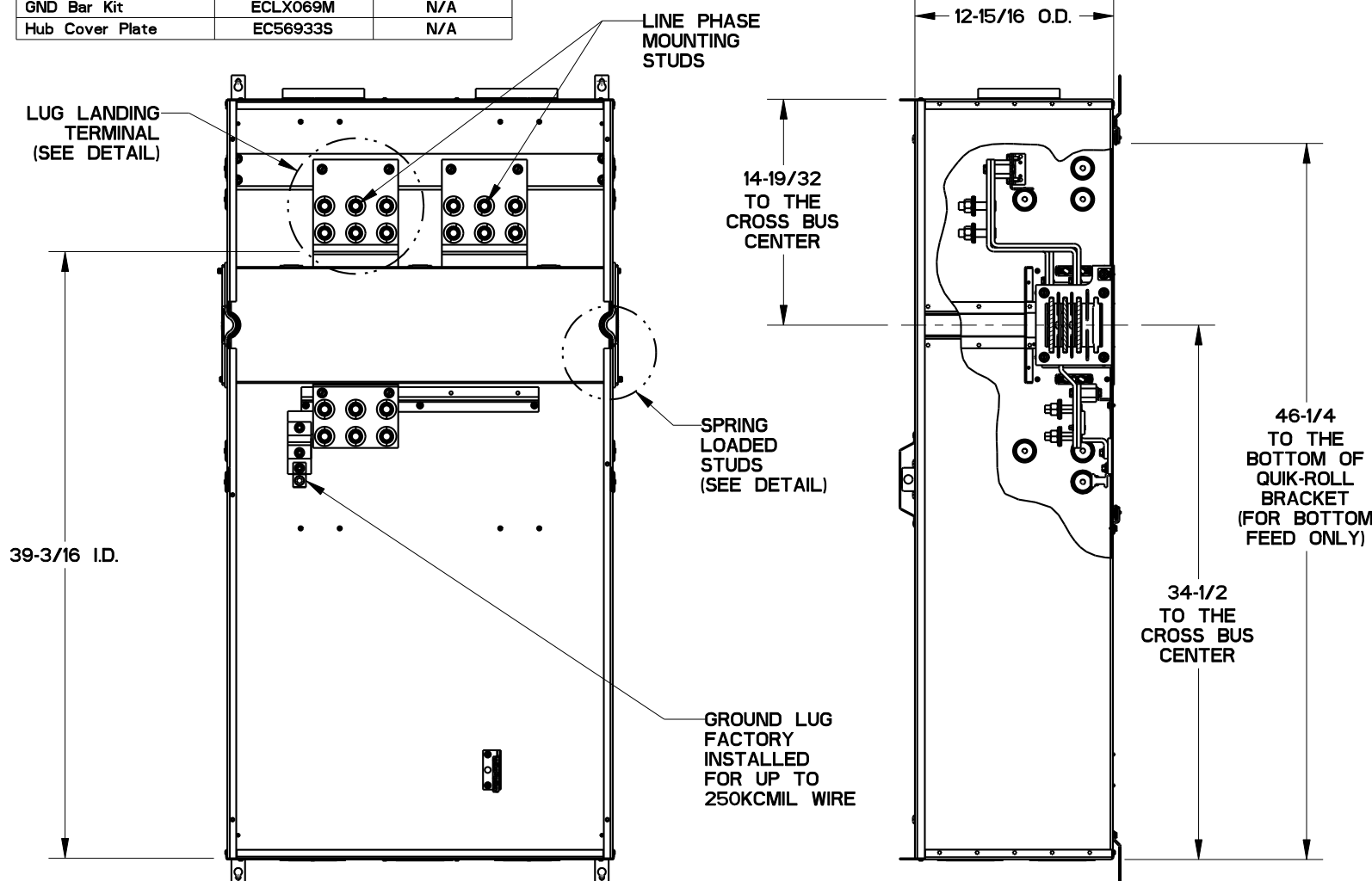
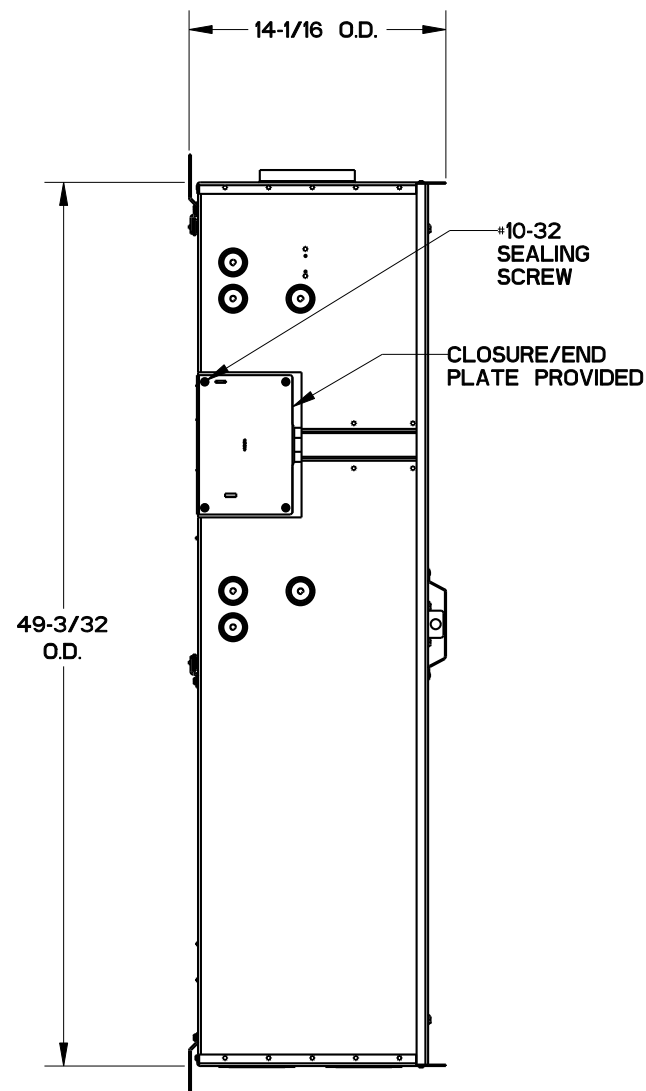
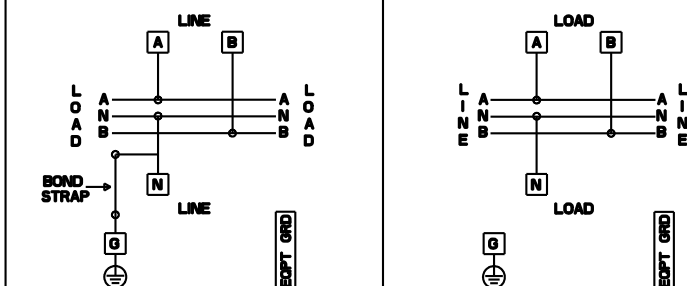
| FOR USE WITH:      |                          |                   |
|--------------------|--------------------------|-------------------|
| Module Description | Siemens Series No.       | Murray Series No. |
| Main Breakers      | (W)MC, (W)B, (W)EB       | DB W              |
| Switches           | WMP, WMS, WS, WES        | DPT W, DT W       |
| Tap/Terminal Boxes | WMTB, WTB, WET           | DTB W             |
| Pull Boxes         | WMMB, WPB, WAPB          | DPB W             |
| Meter Modules      | WMM, WxMM, WMT, WML, WMK | DG.W, DC.W, DL.W  |
| Extension Box      | WMEX                     | DS                |
| Bussed Elbow       | BE                       | DL                |

| Siemens Accessories     | Catalog Number | Req'd Torque                 |
|-------------------------|----------------|------------------------------|
| Single Bolt Joint (lph) | QC1 or SBJ1    | 400-480 LB-IN [35-40 FT-LBS] |
| GND Bar Kit             | ECLX069M       | N/A                          |
| Hub Cover Plate         | EC56933S       | N/A                          |

| Lugs for Phase and Neutral Connections (not supplied) |         |               |             |                     |                 |  |
|---|---------|---------------|-------------|---------------------|-----------------|--|
| NEMA Lug ①  | MFG     | Wire Range    | Type        | No. Wires per phase | Torque (lb-in.) |  |
| LK15600N2   | SIEMENS | 1/0-600 KCMIL | MECHANICAL  | 5                   | 500 ②           |  |
| LK35600N2   |         |               |             |                     |                 |  |
| LK15750N2   | SIEMENS | 300-750 KCMIL | MECHANICAL  | 5                   | 500 ②           |  |
| LK35750N2   |         |               |             |                     |                 |  |
| 2ACL-600  | ILSCO   | 600 KCMIL     | COMPRESSION | 5                   | N/A ③           |  |
| 2ACL-750  | ILSCO   | 750 KCMIL     | COMPRESSION | 5                   | N/A ③           |  |

① Order one mechanical lug kit for mains and neutral. Contact Lug manufacturer for compression lug quantities supplied for each kit.  
 ② Kit contains more than one lug type. Reference kit instruction sheet for the actual torque value for each lug kit.  
 ③ See lug manufacturer's instruction sheet supplied with the connector for tool, die and number of crimps.



Siemens Industry, Inc.  
Building Technologies Division

PowerMod™ Tap Boxes

CATALOG NO.:

WTB11600CU

Standard Service Entrance Tap Boxes

SIZE B

DWG NO.:

1600A STD SE TAP-BXS

DWN: JKH

DATE: 04/24/12

DO NOT SCALE DRAWING

SHEET 1 OF 1