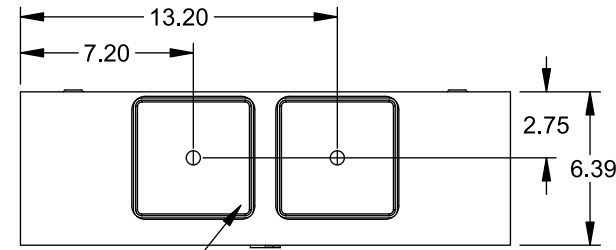


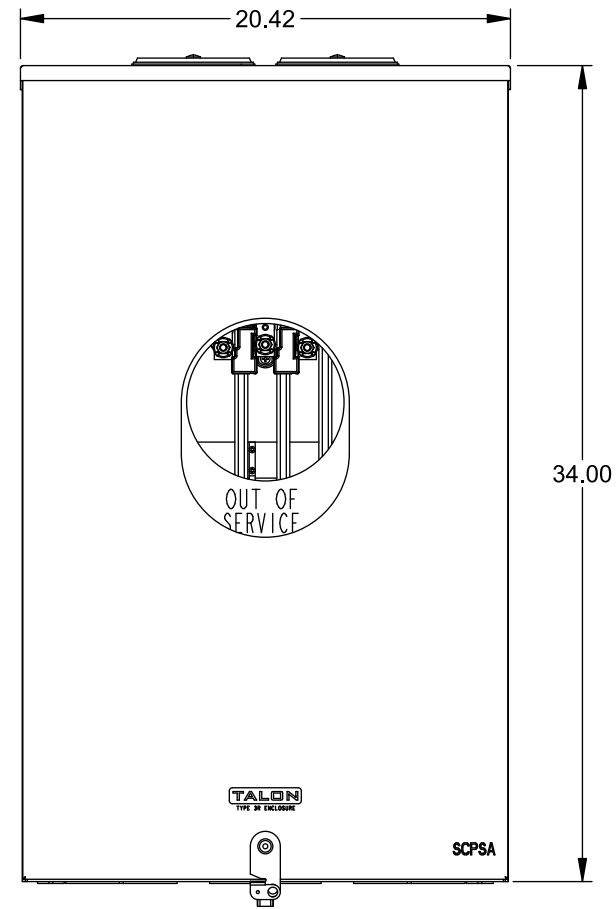
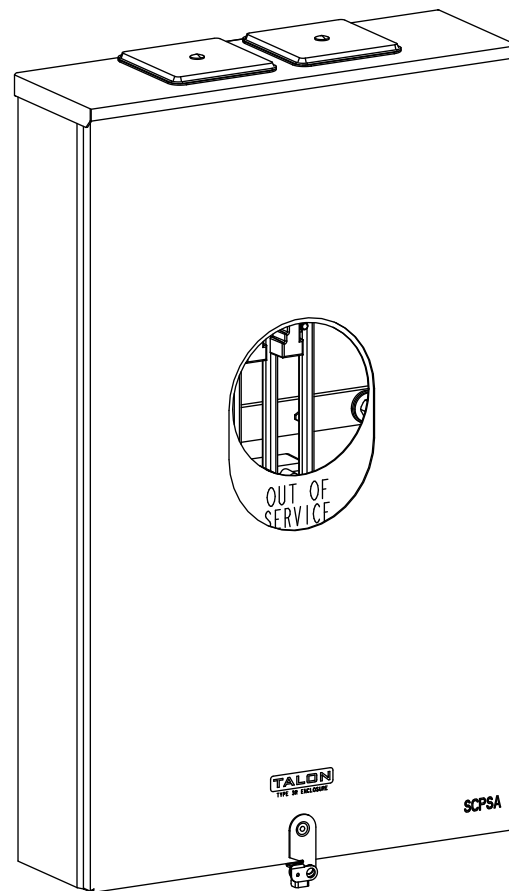
**Catalog Number: 9817-9073**

**Features and Ratings**

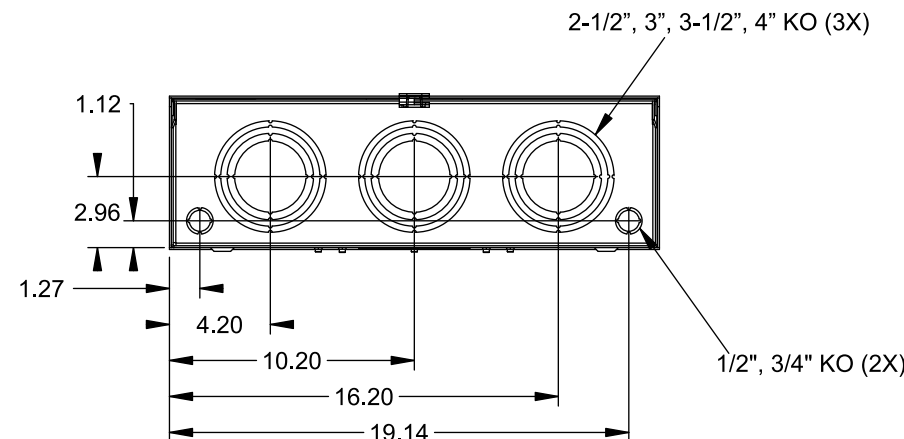
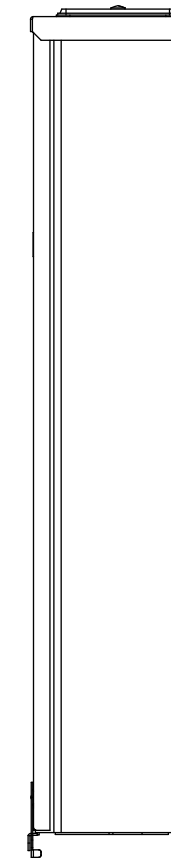
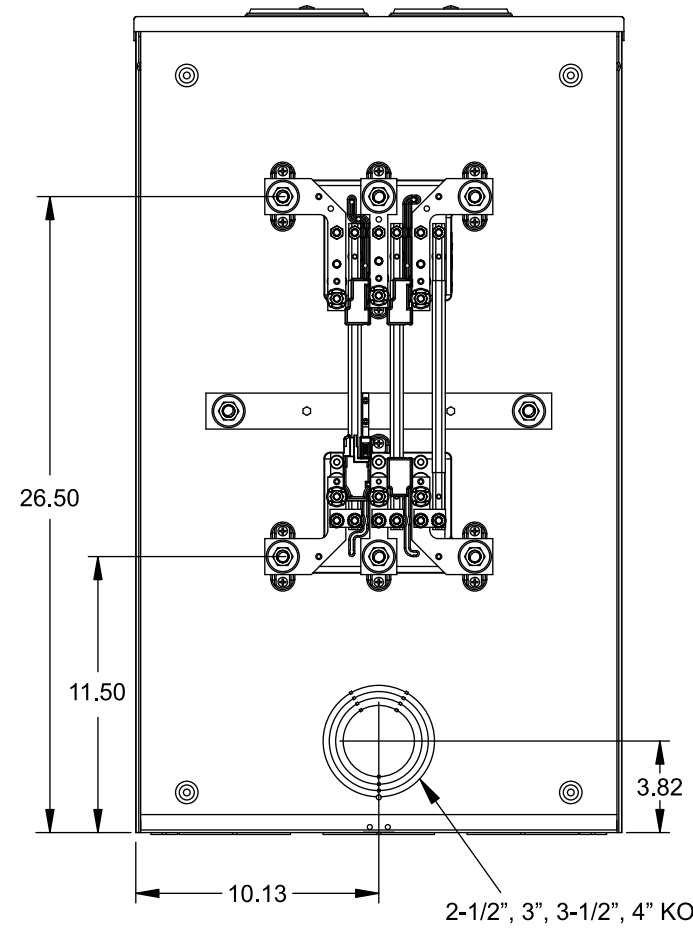
- Ringless Type Meter Socket
- 400A Continuous, 400A Max., 600V AC
- Outdoor Enclosure (NEMA Type 3R)
- Painted G90 Steel Enclosure
- 3 Phase, Commercial/Industrial Socket
- Meter Socket Type K-7
- For Overhead & Underground Service
- Two Large Hub Openings, HD Type Cover Plates Installed



(2) TYPE HD (LARGE) HUB OPENINGS  
COVER PLATES INSTALLED



VIEW SHOWN WITH COVER REMOVED



**Accessories**

CONDUIT HUBS (HD Type)		CAT No.	DESCRIPTION
TRADE SIZE	CATALOG No.		
3 INCH	EC56856 or H56856-2	H69623	Bypass
3-1/2 INCH	EC56857 or H56857-2	H69685-1	Isolated Neutral Kit
4 INCH	EC56858 or H56858-2	H69546-1	Hex Magnet Socket Kit
		H69232-1	Insulated T-Handle Kit
		H65050	K-base Insulator Kit
		H63864	K-base Ground Kit
Hub Cover Plate		EC56933 or H56933S	

**Connectors, Wire Sizes and Torques**

CONNECTOR	PART No.	HEX DRIVE	WIRE SIZE	TORQUE
LINE	58852	1/2"	3/0 - 800 kcmil	500 IN.-LBS.
LINE	58853	5/16"	(2)#6 - 350 kcmil	275 IN.-LBS.
LOAD/NEUT	56476	1/2"	3/0 - 800 kcmil	500 IN.-LBS.
LOAD/NEUT	56732	5/16"	(2)#4 - 350 kcmil	275 IN.-LBS.
GROUND	56734	5/16"	#6 - 250 kcmil	275 IN.-LBS.

© 2015 Copyright Siemens Industry, Inc.

**TALON**  
**Meter Socket**

Description: **400A Cont, 4 Terminal, K-7,  
600V AC, Painted Steel Enclosure**

JEL 12/1/15 DO NOT SCALE DRAWING Dwg No: **9817-9073**