

# Rainproof Combination Metering

Catalog Number

**JA0816B1400SCS**

**Class CTL Panelboard**

Device Rating: 400 Amp, Max; 120/240 Volts ~, 1 phase, 3 wire

Meter Socket Rating: 400 Amp Max. 320 Amp Continuous

For installation by Qualified Person in accordance with all local electrical codes and/or the National Electrical Code.®

**Suitable Only For Use As Service Equipment**

**For Overhead/Underground Service**

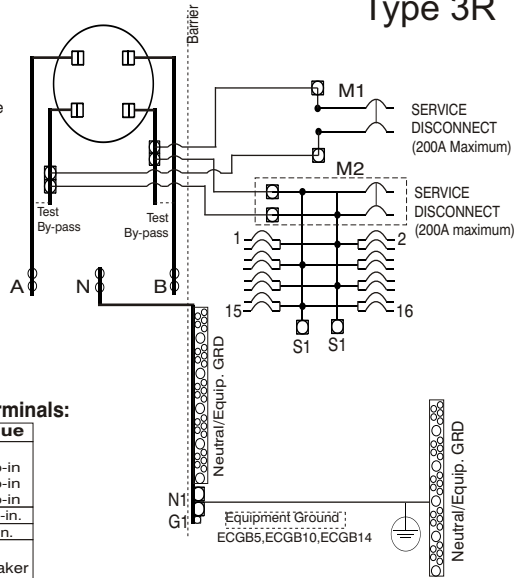
**Terminals Suitable for 60°/75° C Copper or Aluminum Conductor**

Unused neutral branch terminals may be used to terminate equipment grounding wires in the combinations indicated for equipment ground bar terminals.

General Information:

Circuit breaker trip position is indicated by handle position midway between ON and OFF. To reset, move handle to OFF position then turn ON.

Enclosure  
Type 3R



**Load, Neutral and Ground\* Terminals:**

| Terminal                 | Wire Size               | Torque    |
|--------------------------|-------------------------|-----------|
| A, B, N                  |                         |           |
| SUK350TA                 | (2) #6-350kcmil         | 275 lb-in |
| SUK600TA                 | #2-600kcmil             | 375 lb-in |
| SUK1000TA                | 500-1000kcmil           | 500 lb-in |
| N1, S1                   | 300 Kcmil - #4          | 250 lb-in |
| G1                       | 2/0 - #14               | 50 lb-in  |
| Branch Breaker Terminals | See Markings on Breaker |           |
| Neutral Bar/ Ground Bar  | #10 - #14 CU            | 35 lb-in  |
|                          | #10 - #12 AL            | 35 lb-in  |
|                          | #8                      | 40 lb-in  |
|                          | 1/0 - #6                | 45 lb-in  |
| Neutral Bar/ Ground Bar  | #10 - #14 CU            | 20 lb-in  |
|                          | #10 - #12 AL            | 20 lb-in  |
|                          | #8                      | 25 lb-in  |
|                          | #6                      | 35 lb-in  |

\* Only Equipment Ground Terminals may use more than one wire per terminal.

| Ground Terminal Size | Wire Range          | Torque   |
|----------------------|---------------------|----------|
| 1/0-#14              | (2 or 3) #12-14 CU, | 35 lb-in |
|                      | (2 or 3) #10-12 AL, | 35 lb-in |
|                      | (2) #10 CU          | 35 lb-in |
|                      | (3) #10 CU          | 50 lb-in |
| #6-#14               | (2) #12-14 CU,      | 20 lb-in |
|                      | (2) #12AL           | 20 lb-in |
| #4-#14 (ECGB)        | (1 or 2 or 3) #14,  | 20 lb-in |
|                      | (1 or 2) #12-#10    | 20 lb-in |
|                      | #8                  | 25 lb-in |
|                      | #6-#4               | 35 lb-in |

If hub is required, use the catalog numbers listed below:  
**Trade size (in) Catalog number**  
*HD Type Hub (Top and Bottom Endwall) (Top Hub Opening Available Only On Surface Mounted Devices)*

|               |          |
|---------------|----------|
| 2"            | EC56854  |
| 2 1/2"        | EC56855  |
| 3"            | EC56856  |
| 3 1/2"        | EC56857  |
| 4"            | EC56858  |
| Closure Plate | EC56933S |

**WARNING:**  
Removal of meter does not de-energize circuit when By-Pass provided.

Short Circuit Current Rating (Watthour Meter not included in short circuit rating)

This panelboard has a short circuit current rating of 22,000 Amps RMS symmetrical, 120/240 V~. The actual rating is dependent on the service disconnects and branch breakers installed in this panelboard. The correct Service disconnects, branch circuit breakers and main/branch breaker series combinations to be used for various short circuit current levels are listed in the tabulation below. Any circuit breaker installed, replaced, or added in this panelboard must be manufactured by Siemens (Murray brand) and must be of the correct type as indicated in the tabulations below.

| PANELBOARD SERVICE DISCONNECT M2 **                        | BRANCH BREAKER  | SERVICE DISCONNECT M1                                 | Then the maximum short circuit current rating in RMS symmetrical Amperes, 120/240 Vac is: |
|--|---|---|---|
| When the installed panelboard service disconnect is a Type | And the branch breakers installed are Type                                | And the second installed service disconnect is a Type |   |
| MD-HTR   | MP-T, MH-T, MP-HT, MP-MT, MP-GT, MG, MP-HGT, MP-ET, MP-HET, MP-AT, MP-HAT | MP-T, MD-TR   | 10,000  |
|  | MP-T, MH-T, MP-HT, MP-MT, MP-GT, MP-HGT, MP-ET, MP-HET, MP-AT, MP-HAT     | MP-HT, MD-HTR   | 22,000  |

\*\* The factory installed main is Type QNRH

MANUFACTURING DATE:

J2

4099907 REV. C

**Important** Do not spray or allow any petroleum based chemicals, solvents, or paint to contact interior components.

®The National Electrical Code is a registered trademark of the National Fire Protection Association.

©2007 Copyright Siemens Energy & Automation, Inc.

**Murray Electrical Products**  
Siemens Energy & Automation, Inc.  
Alpharetta, Georgia U.S.A.

ASSEMBLED IN MEXICO

**MURRAY**