

Power Panel Kit (P4, P5) SMLK12 for MAIN LUG MOUNTING

Installation Instructions

Installation Instructions

The following instructions are for the installation of Siemens 400-1200A Main lugs in a shallow/deep type panelboards (P4, P5). The parts provided in this kit are for connections to a 3 phase / 4 wire system. This set-up is rating limited to cable size and quantity of up to four 500 MCM cables max.



- Open the shipping box and check the contents against the following list:

ITEM	DESCRIPTION	QTY.
1	1/4-20 X 1-3/4" SHWHSW	12
2	4 HOLE CONNECTOR LUG	3
3	LUG KIT INSTALLATION INSTRUCTIONS	1

- Lock off power supplying this equipment before working on it.
- Reference fig. 1 - Remove the (2) gutter covers, deadfront and all cover plates.

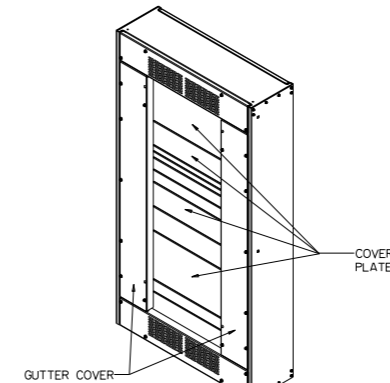


Figure 1

- Reference fig. 2 - Lug elevation. To locate the lug mounting position measure 13.75" from top (or bottom for bottom feed applications) of the Z-rail. Mark position on Z-rail. This marked location will align with 0.228" holes on the section bus. Note: Lugs are installed on the end of the section bus closest to neutral assembly.

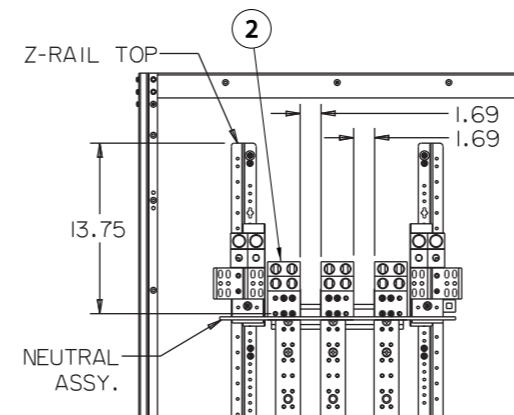


Figure 2

- Reference fig. 3 - Installing lugs. Align lower holes on lug (item 2) with holes on A phase section bus defined in step 3. Use 4 hole pattern in lug (item 2) that results in a 1.69" minimum clearance between lug and section bus as shown in Fig 2. Insert four 1/4-20 X 1-3/4" screws (item 1) through lug and into section bus. Torque screws to requirements shown on back of deadfront cover. Repeat steps for B & C phase lugs ensuring 1.69" clearance between lugs and section bus.

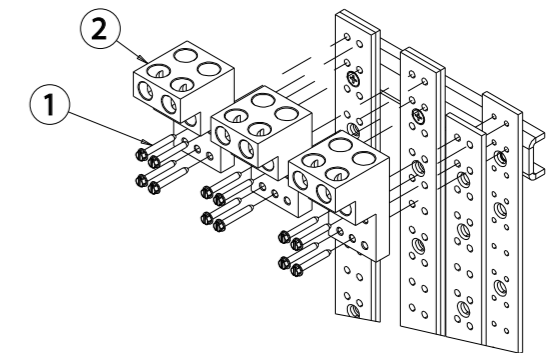


Figure 3

- Re-install the deadfront and gutter covers.

This device/system may only be set up and used in conjunction with these instructions. Installation, maintenance and operation of this device/system may only be performed by **qualified personnel**. Within the context of these instructions, qualified persons are defined as persons who have the skills and knowledge related to the construction and operation of the electrical equipment and installations and have received safety training to recognize and avoid the hazards involved.