

	U.S. Cat. No.	Euro Order No.
Item:	TA6JG20	3VL9402-4TP01
	3TA6JG20	3VL9402-4TP31
	TA12JG04	3VL9404-4TP01
	3TA12JG04	3VL9404-4TP31

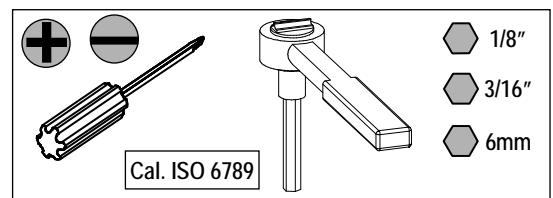
For Use With Frame JG  
 Para Usar Con Caja Base JG

Installation Instructions / Instructivo de Instalación

	<b>Danger</b>	<b>Peligro</b>	<b>Danger</b>
	<b>Hazardous Voltage.</b> Will cause death or serious injury.	<b>Tensión peligrosa.</b> Puede causar la muerte o lesiones graves.	<b>Tension dangereuse.</b> Danger de mort ou risque de blessures graves.
	Turn off and lock out all power supplying this device before working on this device. Replace all covers before power supplying this device is turned on.	Desenergice totalmente antes de instalar o darle servicio. Reemplace todas las barreras y cubiertas antes de energizar el interruptor.	Couper l'alimentation de l'appareil et barrer avant de travailler. Remplacez tous les couverts avant que l'alimentation de pouvoir soit alimenté.

Use only with Siemens certified Components.  
 Utilizar únicamente con componentes certificados de Siemens.  
 A utiliser uniquement avec les composants certifiés Siemens.

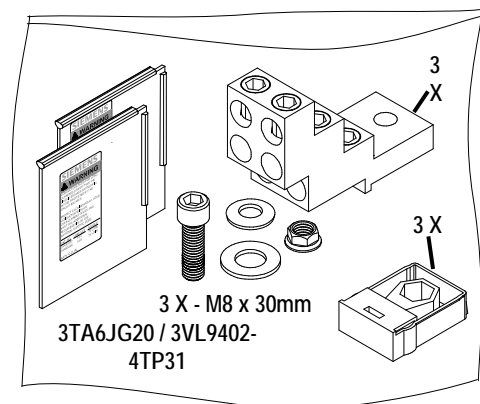
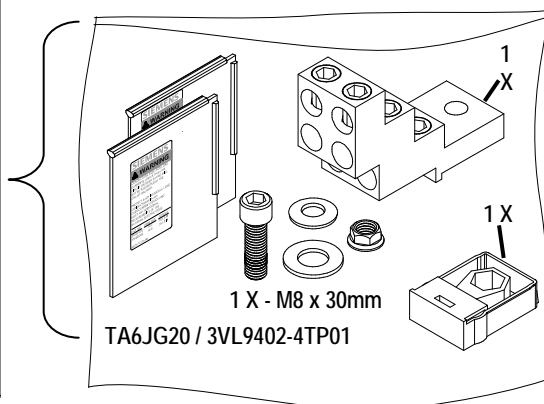
**Special Purpose - Not for general use when used with connectors below:**  
**Propósito Especial - No para uso general cuando es usado con conectores debajo:**



NOTE - These instructions do not purport to cover all details or variations in equipment, or to provide for every possible contingency to be met in connection with installation, operation or maintenance. Should further information be desired or should particular problems arise, which are not covered sufficiently for the purchaser's purposes, the matter should be referred to the local Siemens sales office. The contents of this instruction manual shall not become part of or modify any prior or existing agreement, commitment or relationship. The sales contract contains the entire obligation of Siemens. The warranty contained in the contract between the parties is the sole warranty of Siemens. Any statements contained herein do not create new warranties or modify the existing warranty.

Trademarks - Unless otherwise noted, all names identified by ® are registered trademarks of Siemens AG or Siemens Industry, Inc. The remaining trademarks in this publication may be trademarks whose use by third parties for their own purposes could violate the rights of the owner.

SIEMENS		
⚠ WARNING		
CONDUCTORS SIZED FOR LOAD CURRENTS LOWER THAN THE CIRCUIT BREAKER RATING WILL NOT BE PROTECTED BY THE CIRCUIT BREAKER.		
PROTECT EACH INDIVIDUAL LOAD CONDUCTOR WITH AN OVER-CURRENT DEVICE AND MEET ANY ADDITIONAL REQUIREMENTS OF THE NATIONAL ELECTRIC CODE.		
CAT. NO.	WIRE SIZE	TORQUE
(3)TA6JG20	14-10	35 LB-IN
	8	40 LB-IN
	6-2/0	120 LB-IN
(3)TA12JG04	14-8 CU	35 LB-IN
	8 AL	35 LB-IN
	6-4	50 LB-IN
60/75 °C CU/AL		



# SIEMENS

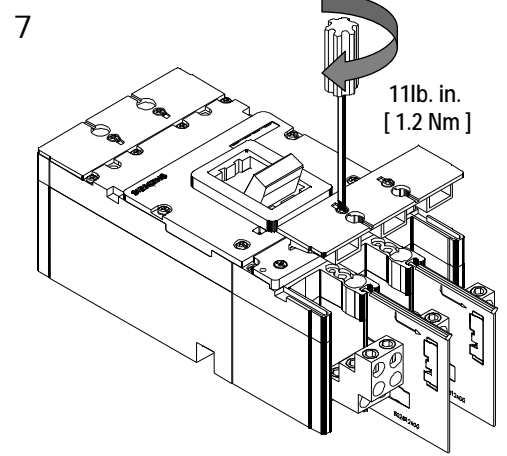
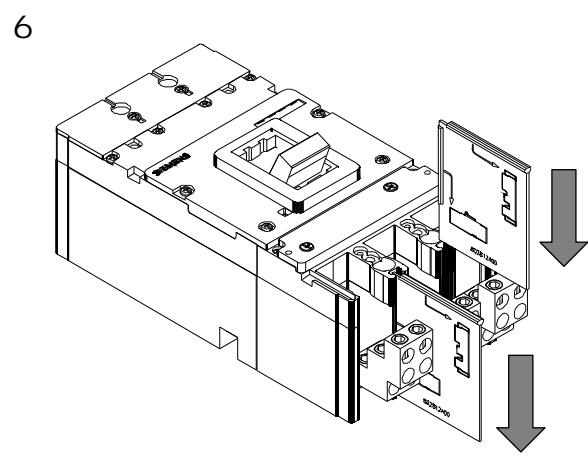
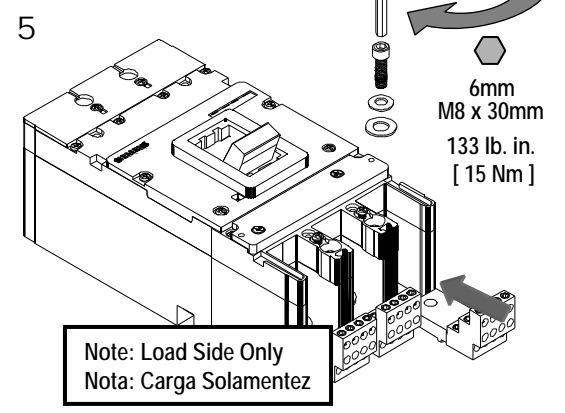
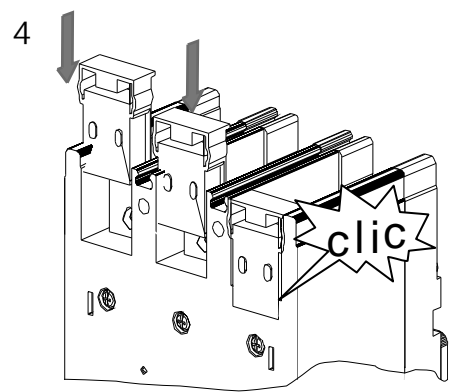
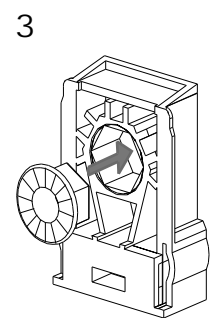
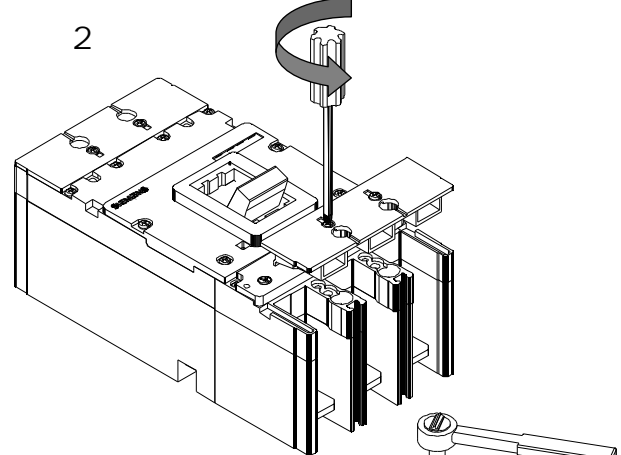
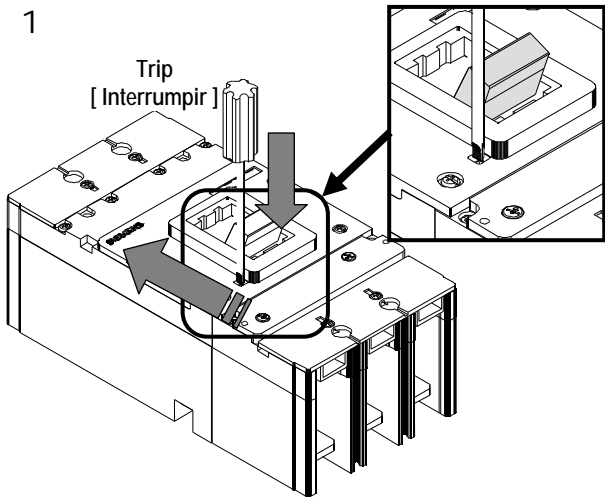
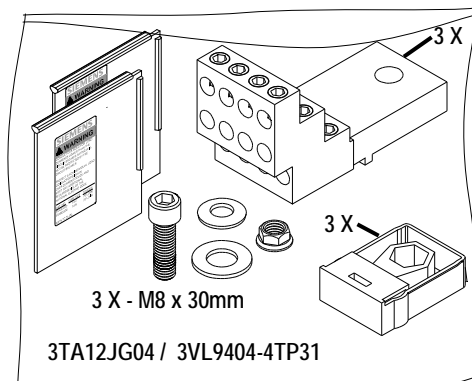
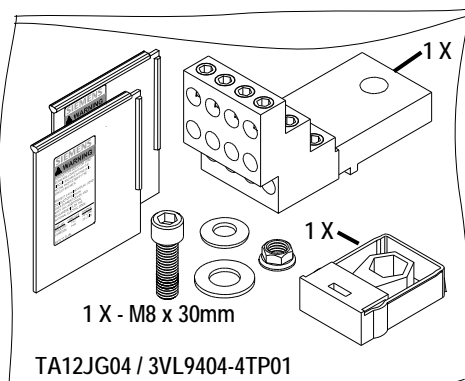
## WARNING

CONDUCTORS SIZED FOR LOAD CURRENTS LOWER THAN THE CIRCUIT BREAKER RATING WILL NOT BE PROTECTED BY THE CIRCUIT BREAKER.

PROTECT EACH INDIVIDUAL LOAD CONDUCTOR WITH AN OVER-CURRENT DEVICE AND MEET ANY ADDITIONAL REQUIREMENTS OF THE NATIONAL ELECTRIC CODE.

CAT. NO.	WIRE SIZE	TORQUE
3TA6JG20	14-10	35 LB-IN
	8	40 LB-IN
	6-2/0	120 LB-IN
3TA12JG04	14-8 CU	35 LB-IN
	8 AL	35 LB-IN
	6-4	50 LB-IN

60/75 °C CU/AL





### Danger

**Hazardous Voltage.**  
Will cause death or serious injury.

Turn off and lock out all power supplying this device before working on this device.  
Replace all covers before power supplying this device is turned on.

### Peligro

**Tensión peligrosa.**  
Puede causar la muerte o lesiones graves.

Desenergice totalmente antes de instalar o darle servicio.  
Reemplace todas las barreras y cubiertas antes de energizar el interruptor.

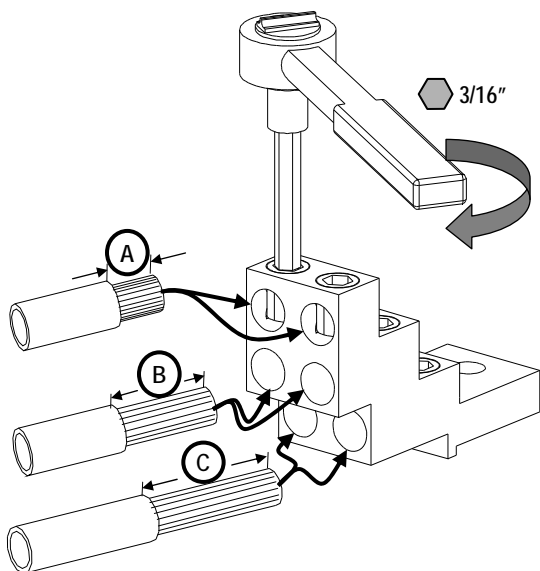
### Danger

**Tension dangereuse.**  
Danger de mort ou risque de blessures graves.

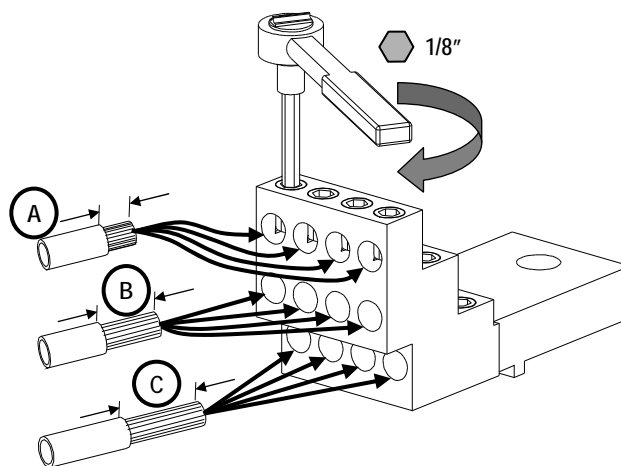
Couper l'alimentation de l'appareil et barrer avant de travailler.  
Remplacez tous les couverts avant que l'alimentation de pouvoir soit alimenté.

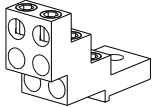
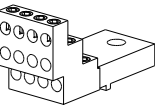
8

TA6JG20	3VL9402-4TP01
3TA6JG20	3VL9402-4TP31



TA12JG04	3VL9404-4TP01
3TA12JG04	3VL9404-4TP31



Wire Connector [ Conexión del cable ]	60°C and 75°C Wire Size [ Rango Cable ]	UL 486A - 486B Req. Wire Stranding ( Cable )		Torque [ Esfuerzo de torsión ]	Wire Strip Length [ Quitar ]		
		CU / AL Class B	CU Class C		( A )	( B )	( C )
 TA6JG20 3TA6JG20 3VL9402-4TP01 3VL9402-4TP31	Cu / Al 14 - 2 AWG [ 2.5 - 35 mm <sup>2</sup> ]	7	19	6 - 2/0 AWG [ 16 - 50 mm <sup>2</sup> ] 120 lb. in. [ 14 Nm ]	.57 - .69 [ 15 - 17mm ]	1.12 - 1.25 [ 28 - 32mm ]	1.25 - 1.38 [ 32 - 35mm ]
				8 AWG [ 6 mm <sup>2</sup> ] 40 lb. in [ 4.5 Nm ]			
 TA12JG04 3TA12JG04 3VL9404-4TP01 3VL9404-4TP31	Cu 14 - 4 AWG [ 2.5 - 16 mm <sup>2</sup> ]	7	19	14 - 8 AWG [ 2.5 - 6 mm <sup>2</sup> ] 35 lb. in. [ 4 Nm ]	.50 - .62 [ 13 - 15mm ]	1.00 - 1.13 [ 25 - 28mm ]	1.62 - 1.75 [ 41 - 44mm ]
	Al 8 - 4 AWG [ 10 - 16 mm <sup>2</sup> ]			6 - 4 AWG [ 10 - 16mm <sup>2</sup> ] 50 lb. in. [ 5.6 Nm ]			

### For Support in Europe refer to :

Bestell-Nr. / Order No.: 3ZX1012-0VL68-2BA1

Internet: [www.siemens.de/lowvoltage/technical-assistance](http://www.siemens.de/lowvoltage/technical-assistance)

GWA 4NEB 179 6941-10 DS 04

Technical Support:

Toll Free: 1-800-241-4453

Internet: [www.usa.siemens.com/powerdistribution](http://www.usa.siemens.com/powerdistribution)

Subject to change without prior notice  
Siemens Industry, Inc., Norcross, GA 30092 U.S.A.