





VARIABLE DEPTH ADAPTER FOR DRAW-OUT 8X8 MM  
ACCESSORY FOR 3VA1 100/160 3VA2 100/160/250/400/630



Model	
Product brand name	SENTRON
Product designation	Accessories
Design of the product	Variable depth adapter
accessories	VARIABLE DEPTH ADAPTER

Certificates				
General Product Approval	EMC	Declaration of Conformity	Test Certificates	other
 VDE		 RCM	 EG-Konf.	<a href="#">Type Test Certificates/Test Report</a> <a href="#">Miscellaneous</a>

Further information
<b>Information- and Downloadcenter (Catalogs, Brochures,...)</b> <a href="http://www.siemens.com/lowvoltage/catalogs">http://www.siemens.com/lowvoltage/catalogs</a>
<b>Industry Mall (Online ordering system)</b> <a href="https://mall.industry.siemens.com/mall/en/en/Catalog/product?mlfb=3VA9487-0GB10">https://mall.industry.siemens.com/mall/en/en/Catalog/product?mlfb=3VA9487-0GB10</a>

**Service&Support (Manuals, Certificates, Characteristics, FAQs,...)**

<https://support.industry.siemens.com/cs/ww/en/ps/3VA9487-0GB10>

**Image database (product images, 2D dimension drawings, 3D models, device circuit diagrams, ...)**

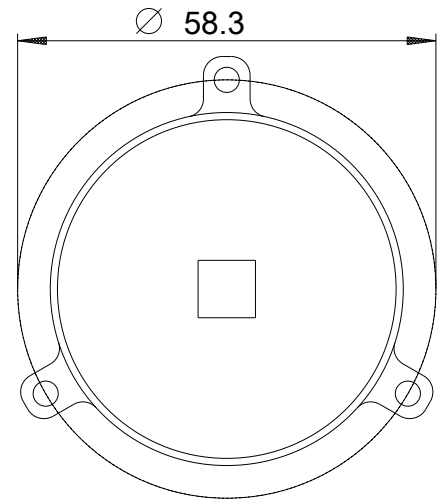
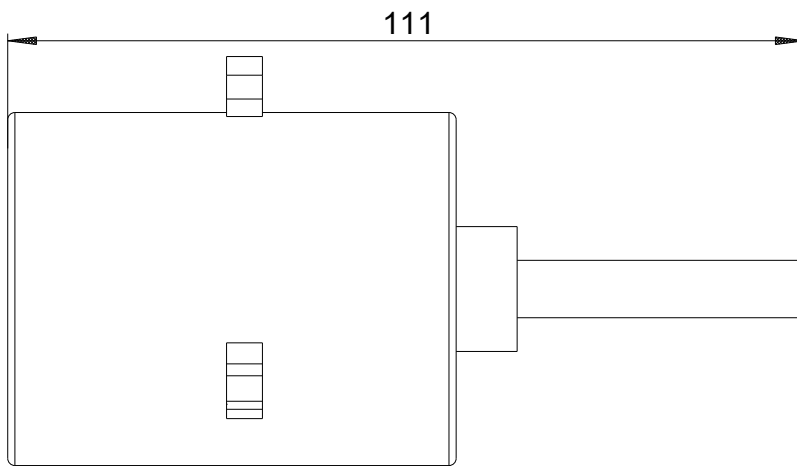
[http://www.automation.siemens.com/bilddb/cax\\_en.aspx?mlfb=3VA9487-0GB10](http://www.automation.siemens.com/bilddb/cax_en.aspx?mlfb=3VA9487-0GB10)

**CAX-Online-Generator**

<http://www.siemens.com/cax>

**Tender specifications**

<http://www.siemens.com/specifications>



**last modified:**

11/17/2017