

LCD Power Supply
 LCD Power Supply
 LCD Fuente de Alimentación

For Use With Frame DG, FG, JG, LG, MG, NG & PG
 With Type 576 Trip Units
 Para Usar Con Caja Base DG, FG, JG, LG, MG, NG & PG
 Con Tipo 576 Disparadores

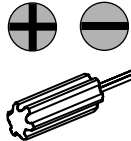
Installation Instructions / Instructivo de Instalación

	 Danger	 Peligro	 Danger!
Hazardous Voltage Will cause death or serious injury	Tensión peligrosa. Puede causar la muerte o lesiones graves.	Tension dangereuse. Danger de mort ou risque de blessures graves.	
 Turn off and lock out all power supplying this device before working on this device. Replace all covers before power supplying this device is turned on.	Desenergice totalmente antes de instalar o darle servicio. Reemplace todas las barreras y cubiertas antes de energizar el interruptor.	Couper l'alimentation de l'appareil et barrer avant de travailler. Remplacez tous les couverts avant que l'approvisionnement de pouvoir soit alimenté.	

Use only with Siemens certified Components.
 Utilizar únicamente con componentes certificados de Siemens.
 A utiliser uniquement avec les composants certifiés Siemens.


Qualified Personnel: This device/system may only be set up and used in conjunction with these instructions. Installation, maintenance and operation of a device/system may only be performed by **qualified personnel**. Within the context of this manual, qualified persons are defined as persons who have the skills and knowledge related to the construction and operation of the electrical equipment and installations and have received safety training to recognize and avoid the hazards involved.

Personal Calificado: Este dispositivo/sistema debe solamente ser montado y usado junto con estas instrucciones. Instalación, mantenimiento y operación de un dispositivo/sistema debe solamente ser realizado por **personal calificado**. Dentro del contexto de este manual, personas calificadas están definidas como quien tiene habilidades y conocimiento relacionado con la operación de equipo eléctrico e instalaciones, y ha recibido entrenamiento de seguridad y evite estar envuelto en peligros.

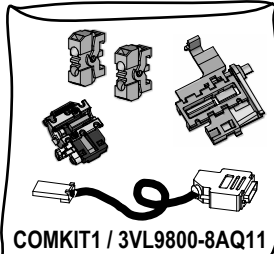


Cal ISO 6789

806932_...
3ZX1012-0VL68-1BA2

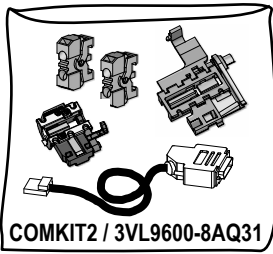


COMEXT / 3VL9000-8AQ21



COMKIT1 / 3VL9800-8AQ11

For Use With Frame DG, FG, NG, PG
Para Usar Con Caja Base DG, FG, NG, PG

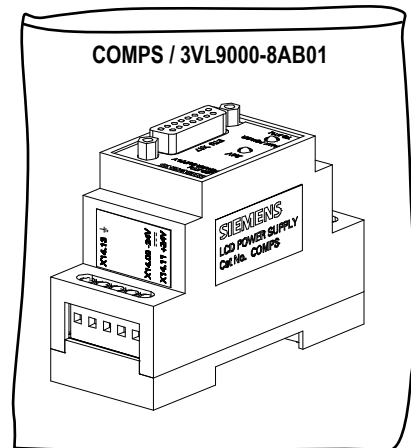


COMKIT2 / 3VL9600-8AQ31

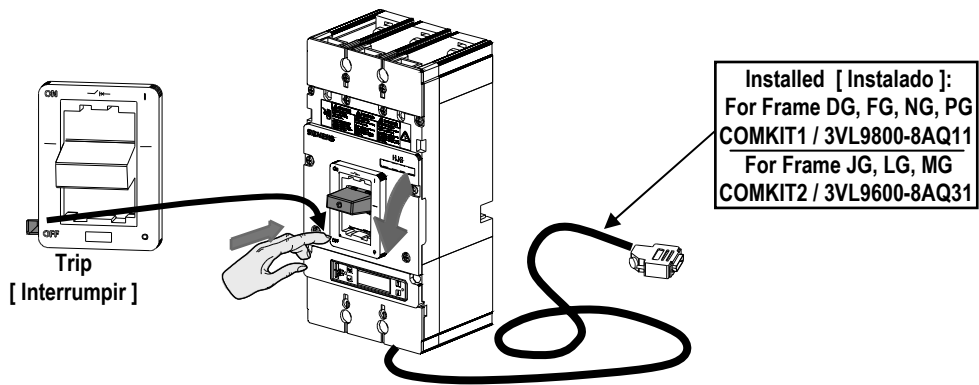
For Use With Frame JG, LG, MG
Para Usar Con Caja Base JG, LG, MG

NOTE - These instructions do not purport to cover all details or variations in equipment, or to provide for every possible contingency to be met in connection with installation, operation or maintenance. Should further information be desired or should particular problems arise, which are not covered sufficiently for the purchaser's purposes, the matter should be referred to the local Siemens sales office. The contents of this instruction manual shall not become part of or modify any prior or existing agreement, commitment or relationship. The sales contract contains the entire obligation of Siemens. The warranty contained in the contract between the parties is the sole warranty of Siemens. Any statements contained herein do not create new warranties or modify the existing warranty.

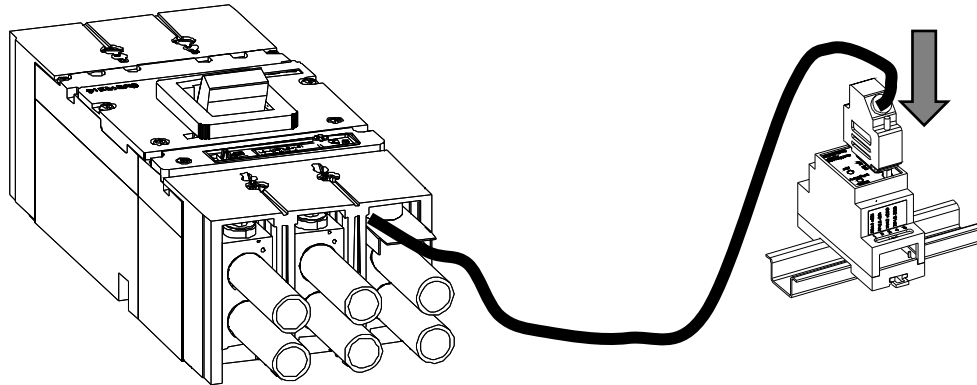
Trademarks - Unless otherwise noted, all names identified by ® are registered trademarks of Siemens AG or Siemens Industry, Inc. The remaining trademarks in this publication may be trademarks whose use by third parties for their own purposes could violate the rights of the owner.



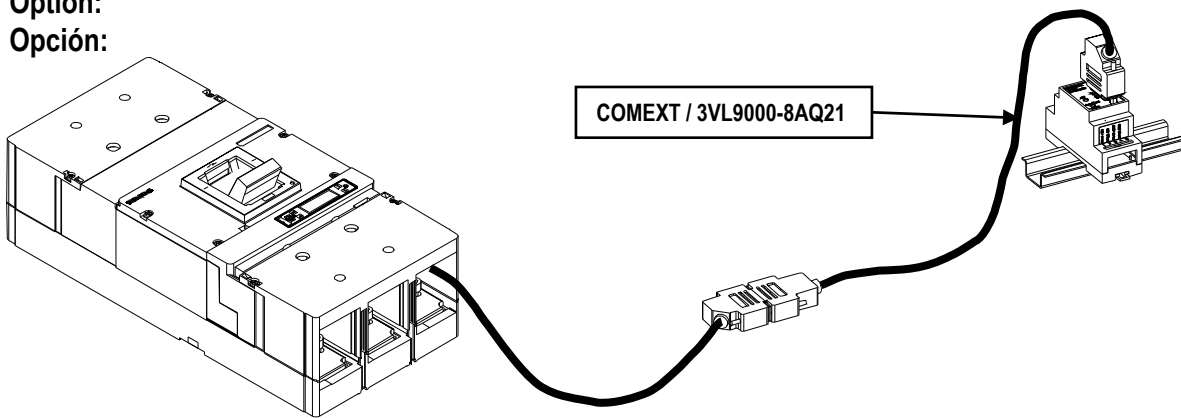
1



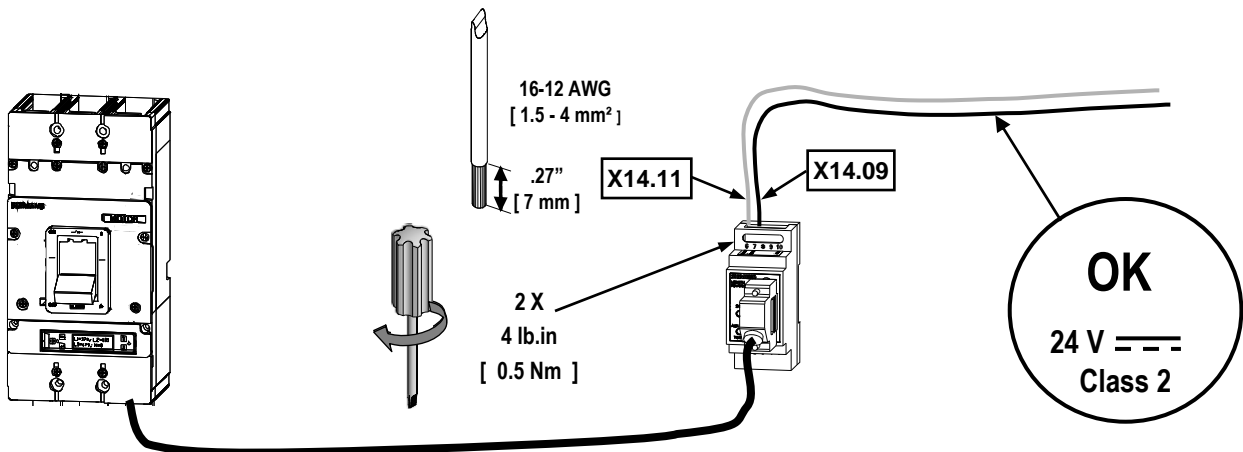
2



Option:
Opción:

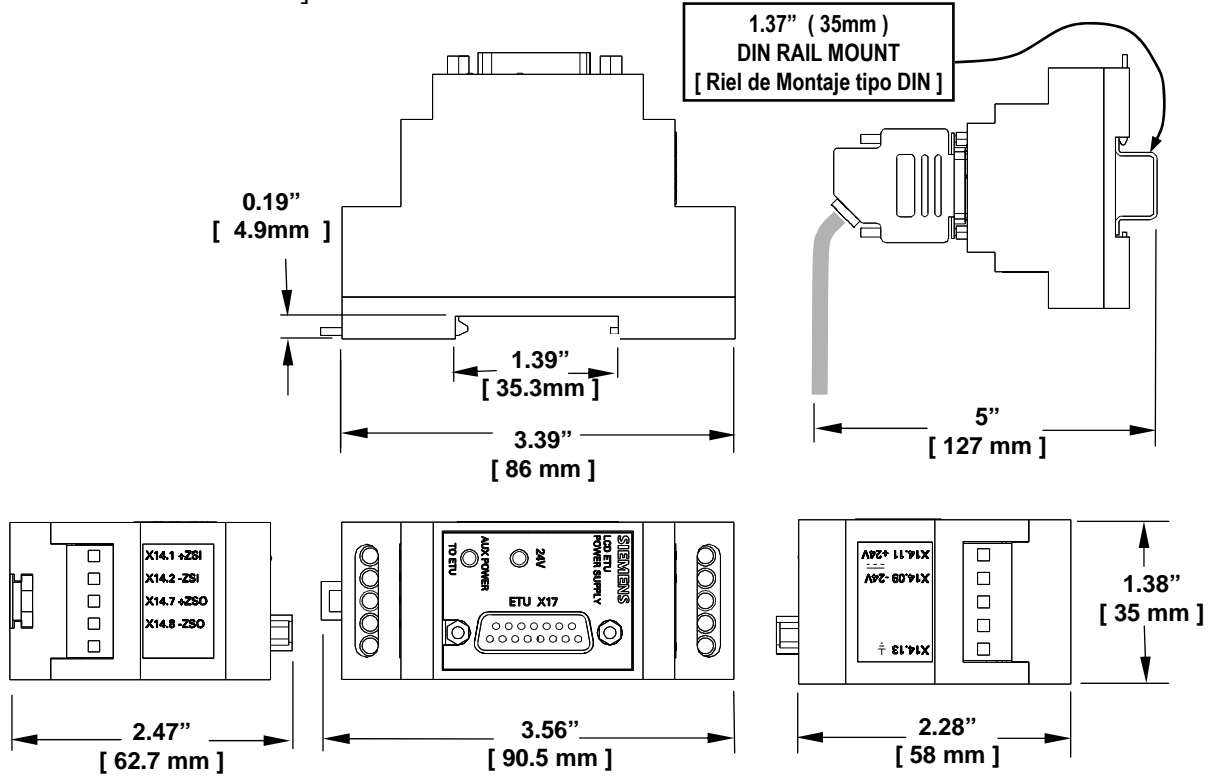


3



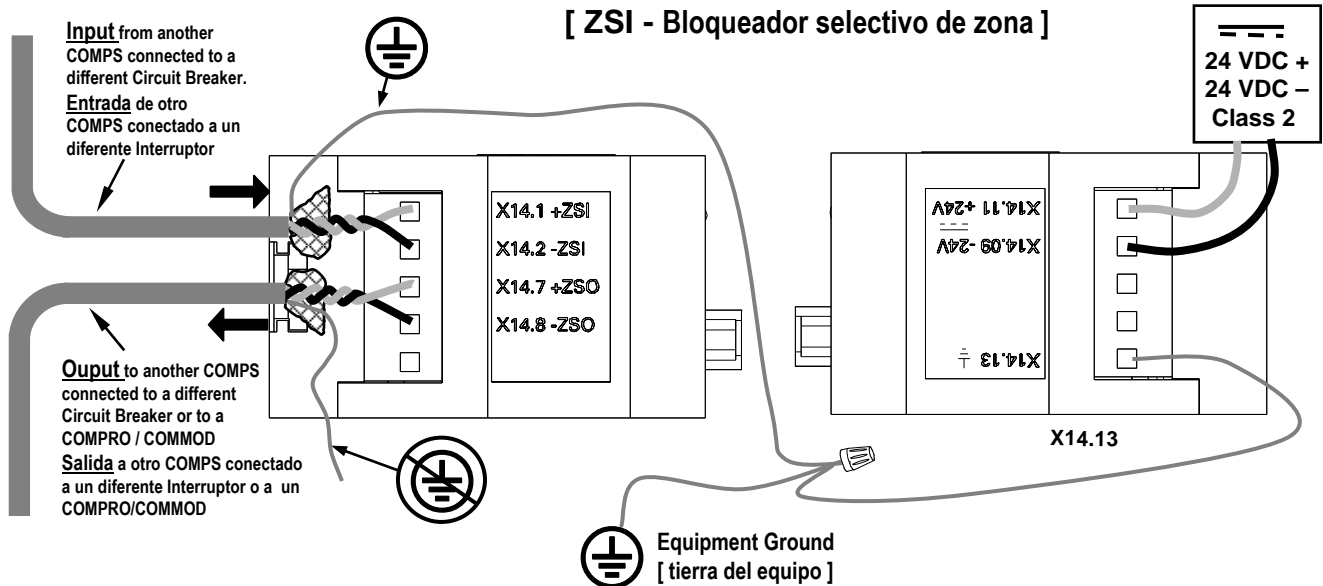
 	<p>Danger Hazardous Voltage Will cause death or serious injury Turn off and lock out all power supplying this device before working on this device. Replace all covers before power supplying this device is turned on.</p>	<p>Peligro Tensión peligrosa. Puede causar la muerte o lesiones graves. Desenergice totalmente antes de instalar o darle servicio. Reemplace todas las barreras y cubiertas antes de energizar el interruptor.</p>	<p>Danger! Tension dangereuse. Danger de mort ou risque de blessures graves. Couper l'alimentation de l'appareil et barrer avant de travailler. Remplacez tous les couverts avant que l'alimentation de pouvoir soit alimenté.</p>
--	--	---	---

General Information:
 [Información General]:



General Information:
 [Información General]:

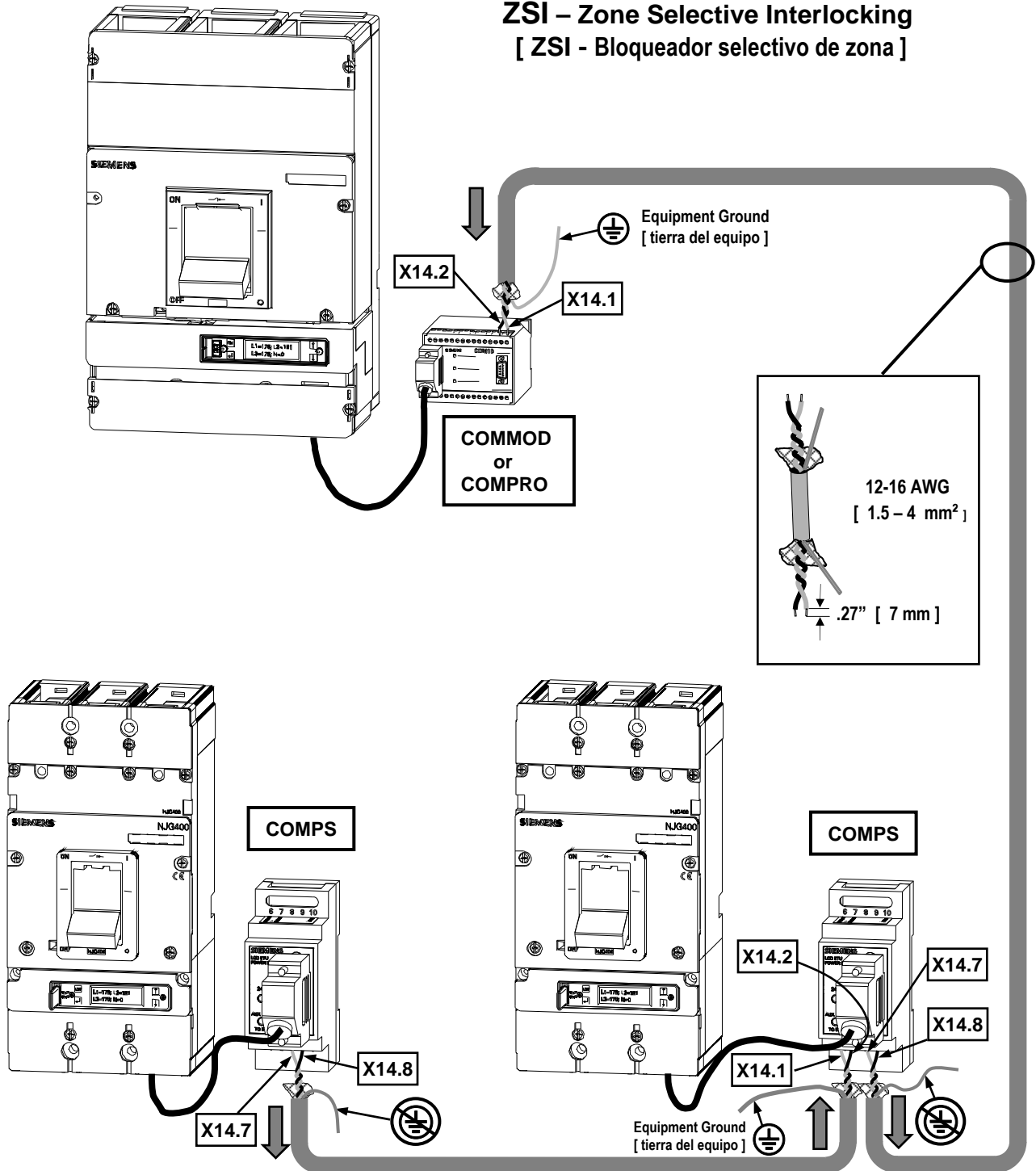
COMPS
ZSI – Zone Selective Interlocking
 [ZSI - Bloqueador selectivo de zona]



General Information:
[Información General]:

COMPS

ZSI – Zone Selective Interlocking
[ZSI - Bloqueador selectivo de zona]





Danger

Hazardous Voltage
Will cause death or serious injury

Turn off and lock out all power supplying this device before working on this device.
Replace all covers before power supplying this device is turned on.



Peligro

Tensión peligrosa.
Puede causar la muerte o lesiones graves.

Desenergice totalmente antes de instalar o darle servicio.
Reemplace todas las barreras y cubiertas antes de energizar el interruptor.

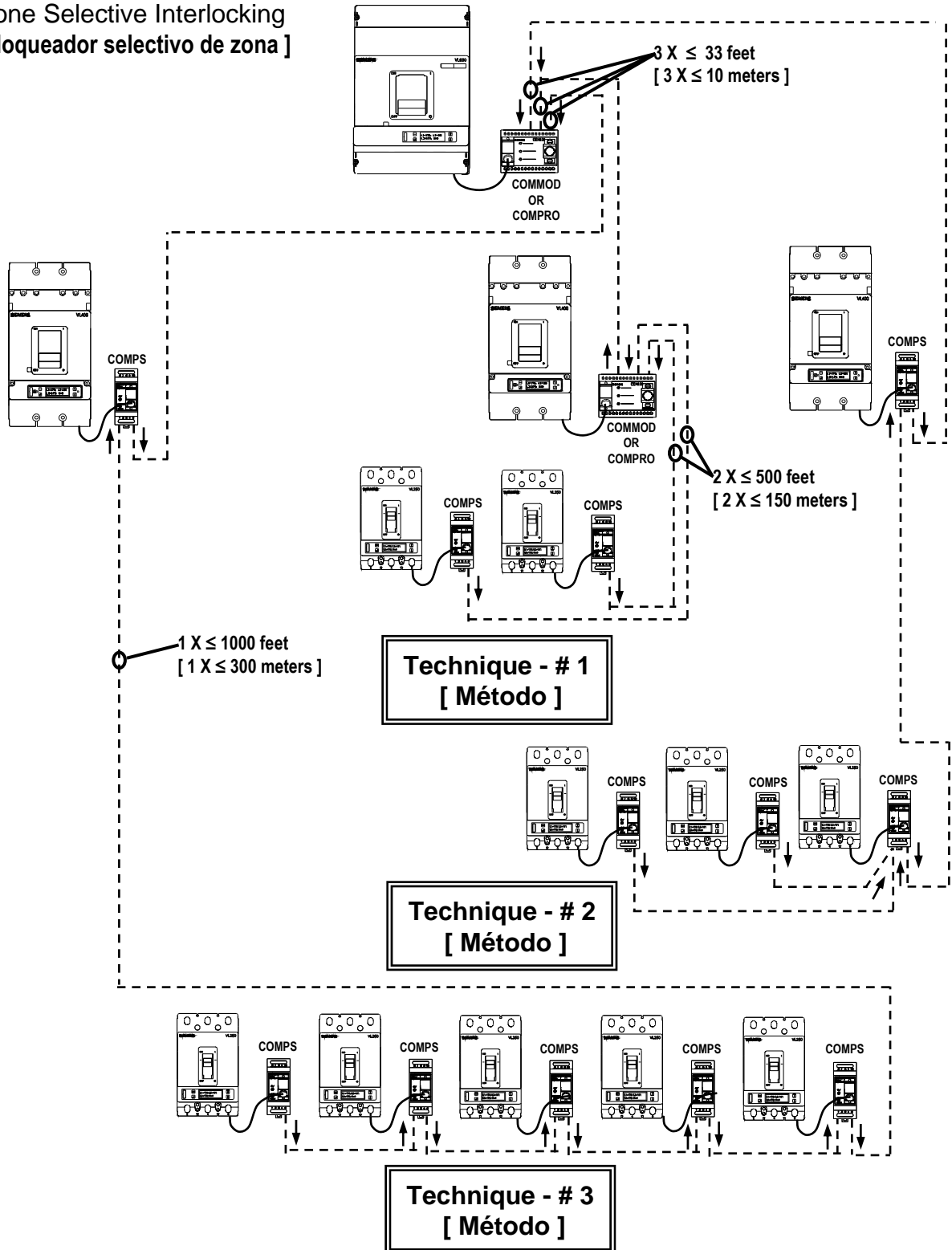
Danger!

Tension dangereuse.
Danger de mort ou risque de blessures graves.

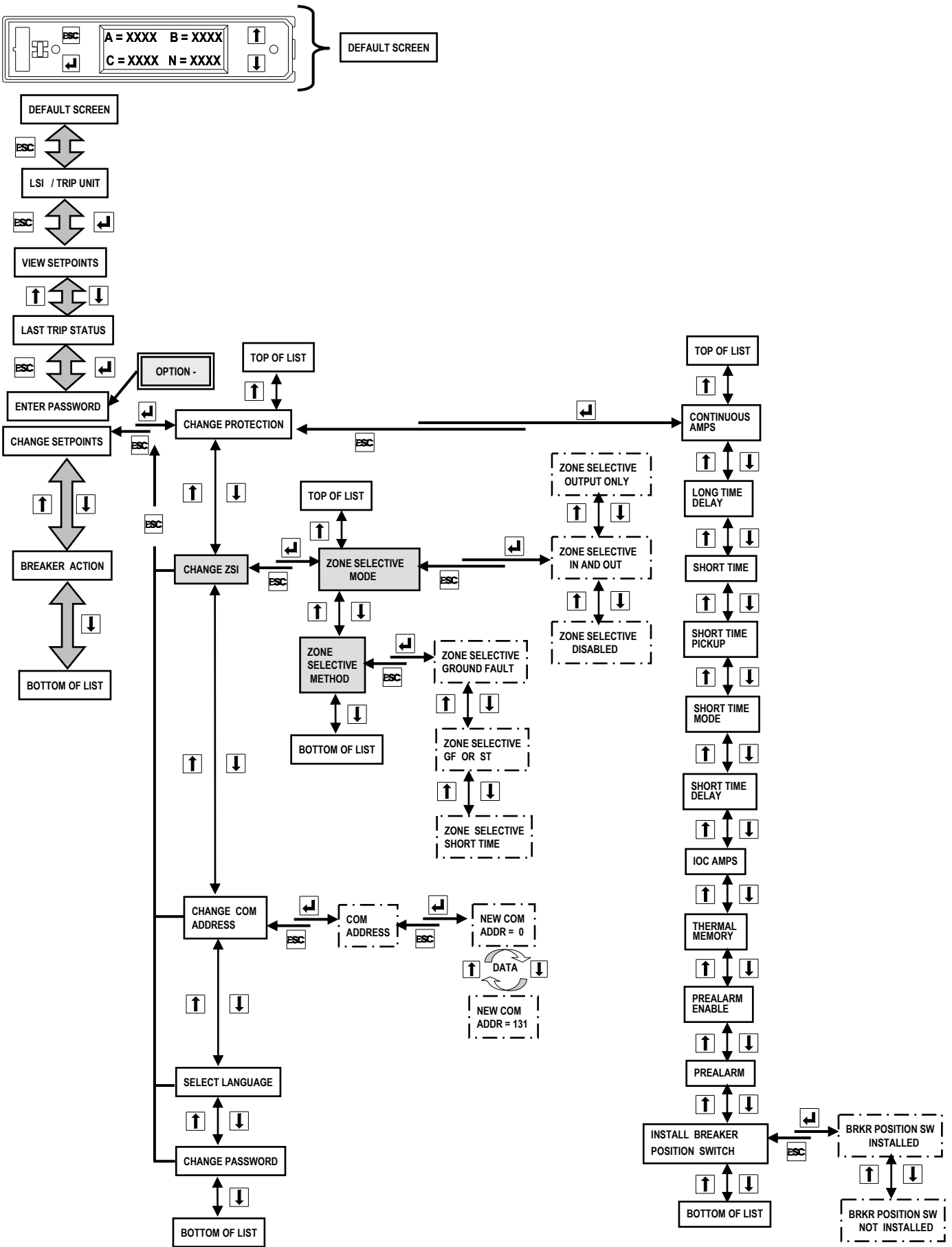
Couper l'alimentation de l'appareil et barrer avant de travailler.
Remplacez tous les couverts avant que l'approvisionnement de pouvoir soit alimenté.

COMPS

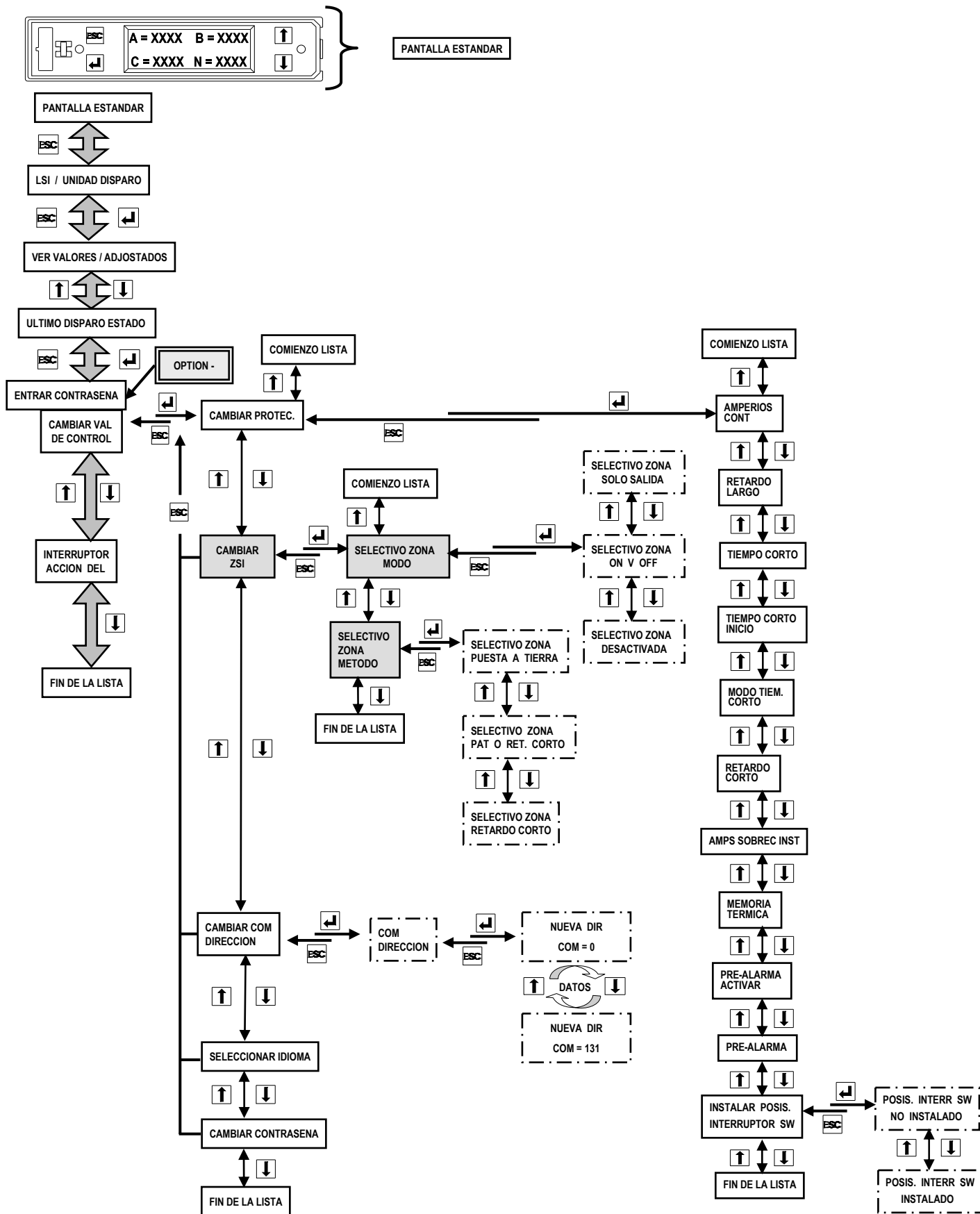
ZSI – Zone Selective Interlocking
[ZSI - Bloqueador selectivo de zona]



LCD / COMPS SETTINGS



AJUSTE LCD / COMPS



For Support in Europe refer to :

Bestell-Nr. / Order No.: 3ZX1012-0VL68-1BA5

Internet: www.siemens.de/lowvoltage/technical-assistance

GWA 4NEB 179 6939-10 DS 03

Technical Support:

Toll Free: 1-800-241-3138

Internet: www.usa.siemens.com/powerdistribution

Subject to change without prior notice
Siemens Industry, Inc., Norcross, GA 30092 U.S.A.